



SAN FRANCISCO PLANNING DEPARTMENT

Addendum to Negative Declaration

Date of Publication of Addendum: October 5, 2018
Date of Publication of Final MND: December 16, 1993
Case No.: 2017-009220ENV
Project Title: **Public Works - JCDeCaux Kiosk & Automatic Toilet Replacement Project**
Block/Lot: N/A
Project Sponsor: Lisa Zhou, Department of Public Works
lisa.zhuo@sfdpw.org
(415) 557-4699
Lead Agency: San Francisco Planning Department
Staff Contact: Chelsea Fordham – (415) 575-9071
Chelsea.Fordham@sfgov.org

1650 Mission St.
Suite 400
San Francisco,
CA 94103-2479

Reception:
415.558.6378

Fax:
415.558.6409

Planning
Information:
415.558.6377

REMARKS

Background

A final negative declaration (case number 93.504E) for the San Francisco public toilet and advertising kiosk program was adopted and issued on December 16, 1993. The project analyzed in the final negative declaration (FND) was for the initial installment of approximately 27 freestanding public toilets and about 120 freestanding advertising/public service kiosks concentrated in the downtown financial and retail shopping areas, and along Market Street to Upper Market; with fewer toilets and kiosks in the Civic Center area and along Van Ness Avenue; along Columbus Avenue; in the Fisherman's Wharf/Pier 39 area; and several neighborhood locations. The 1993 FND also analyzed up to an additional 23 toilets and 105 kiosks to be provided in future installations throughout San Francisco, totaling about 50 toilets and 225 kiosks, respectively. A private company (JCDeCaux) under contract to the city provided and maintained the toilet facilities and kiosks in exchange for kiosk advertising revenues. All facilities were located on sidewalks and other public properties.

The existing public toilets are self-cleaning, handicapped accessible, and connected directly to city sewer, water and electrical lines. The existing toilets are 10 feet in height, and 12 feet by 7 feet in floor area. The advertising/public service kiosks are cylindrical in shape, about 14 to 17 feet in height (depending on the roof design), about 5 to 6 feet in diameter, and have three illuminated vertical panels about 12 feet tall. Approximately 65 of the kiosks open to contain newsstands and replaced existing sidewalk newsstand structures. Following approval of the project, 25 toilets and 114 kiosks were installed throughout the city. Sixty-nine of the constructed kiosks were designed to contain newsstands. Additionally, the analyzed future installation of 23 toilets and 105 kiosks did not occur.

Proposed Revisions to Project

Subsequent to the issuance of the FND, the proposed project has been modified to involve the proposed removal and replacement of the existing 25 toilets and 114 kiosks with new facilities with a modern design. The proposed public toilets would use the existing utility connections to city sewer, water, and electrical lines constructed when the original toilets were installed.

The modified project would replace the kiosks and toilets in the same locations as the existing facilities (with the exception of three locations), and these toilets and kiosks would generally be similar configuration. Of the 25 existing toilets, 12 proposed replacements would be expanded from single-stall toilets to double-stall toilets. The specific locations of the double-stall toilets are provided in Appendix A. The proposed single toilets would be approximately 14 feet in height, and 13 feet by 9 feet in floor area. The proposed double toilets would be approximately 14 feet in height, and 18 feet by 9 feet in floor area. The proposed kiosks would range from 14 to 17 feet in height and would have a diameter of five-to-six feet.

The proposed new toilets would be installed in the existing locations of the original facilities with the exception of three locations that would be slightly adjusted as follows. The existing toilet located at the intersection of Embarcadero and Harrison Street would be moved from its current location to a new location no more than 40 feet south of the existing location on the Embarcadero seawall in order to provide access to the proposed new fireboat station at Pier 22-1/2. The existing toilet at Larkin and Myrtle Streets near a bulbout at Sgt. Macaulay Park would be replaced by a new toilet near the new fence of the playground. Finally, the toilet at Civic Center Plaza at Grove and Larkin Streets would be replaced by a new one about 20 feet from the existing toilet location to accommodate the new café kiosk. On these three relocated facilities, a new foundation and utility connections would be required. Other than these three, the replacements facilities would remain in their existing locations.

The proposed new kiosks and toilets would be curved and sculptural structures (see Appendix A). The toilets would be roughly a rounded hour-glass shape in plan, and the kiosks, a rounded triangle. In elevation, they would be wider at the middle and taper towards the top and bottom. Both would have either a sculptural, polished concrete base or a painted cast-iron base. A glass surface would cover the advertising panels on the kiosks and would connect with the adjoining surfaces. The toilets would feature a durable concrete base and formed textured stainless steel panels for the walls and door with a fiberglass roof that includes a skylight. The exterior shell of the kiosks would consist of glazed poster/display space and formed textured stainless steel panels for the walls and door with a fiberglass cap.

The proposed kiosks would have three illuminated vertical panels about 12 feet tall to contain general advertising. On 70 of the new 114 kiosks, there would be up to two changeable electronic displays. Approximately 20 of the existing 69 newsstand kiosks would be replaced by new multi-function kiosks, which would provide a variety of service and retail uses, such as wayfinding assistance, ATMs or vending of coffee, magazines, or other retail uses. The other remaining kiosks would be standard advertising kiosks. All images displayed on these kiosks would be silent (no audio) and static, with no

video/animation as required by Article 6 of the San Francisco Planning Code. Blocks of time on the advertising displays would be sold in 8-10 second increments; these images would move every 8-10 seconds at the maximum interval.

Table 1 includes a comparison of the existing and proposed toilet and kiosks. Attachment A shows the locations of the proposed kiosks and toilets, and provides tables listing the locations of the modified toilets and kiosks. Attachment A also includes a table with the proposed double toilet locations. Attachment B shows the plans and renderings of the proposed kiosks and toilets.

Table 1 – Comparison of Original and Modified Toilets and Kiosks

Toilet and Kiosks Characteristics	Existing (Original Toilets and Kiosks)	Proposed (Modified Toilets and Kiosks)
Footprint – single toilets	Flattened oval – 12.5' X 7.5'	Rounded rectangle -- Single module (one ADA-accessible toilet): 14.0' x 9'
Footprint – double toilets	N/A – No existing double toilets	Rounded hour-glass shape Two module (one ADA accessible, one non-accessible toilet): 18.0' X 9'
Footprint – kiosks	Circular 5' diameter	Triangular 5-6' diameter
Height - toilets	10 feet	14 feet
Height - kiosks	14 to 17 feet in height	14 to 17 feet in height
Exterior aesthetic	"Faux Victorian", with fluting, gilding, and decorative top knobs and turrets	Contemporary, sleek, with minimalist detailing
Exterior materials	Green enamel finish over metal, with gold accents	Matte metal, glass and neutral-colored accents
Advertising signage	Lighted panels	Changeable electronic displays ¹
Kiosk usage	Designed for use as staffed newsstand	"Multi-function" kiosks: Variety of service and retail uses, such as wayfinding assistance, ATMs, or vending of coffee, magazines, and/or retail uses
Notes:		
1. 70 of the 114 proposed new kiosks would have two changeable electronic displays.		

Comparing the existing and proposed facilities, the proposed single toilet would be slightly larger and taller than the existing toilet resulting in an increase of 2 feet in width and length, and 3.5 feet in height. The proposed double-stall toilets would be approximately 4 feet longer. The proposed kiosks would have similar heights and widths, with a potential increase in width of one-foot.

Construction Activities and Schedule

The existing toilets and kiosks are bolted to existing foundations, which are concrete pads with utility connections (water, sewer and electrical for toilets; electrical for kiosks). Construction of the proposed project would involve detaching the existing toilets and kiosks from their existing foundations, and returning them to JCDecaux. Existing foundations would be repaired and adjusted as necessary, to conform to the footprint of the replacement toilets and kiosks. Additionally, the existing foundations would be extended (up to 4.5 feet in additional length) for the proposed double-toilets. The maximum depth of excavation would be 3 feet for the expansion or creation of new foundations and utility connections. New kiosks and toilets would then be placed on the foundations and connected to the existing utilities. Sidewalk repair, as needed, would match existing sidewalk surfaces and would restore any sidewalk features such as distinctive scoring. Construction of the three relocated toilets would involve construction of a new foundation and utilities connections. Depth of excavation would be approximately three feet for all work.

Construction of these new facilities would involve small amounts of additional ground disturbance. The maximum depth of excavation associated with the project work is three feet, with the majority of impacts occurring at the surface and within the first 1-2 feet. The deeper excavation would be for utility conduit installation and tie-in.

Construction would require sawcutting and jackhammering for foundation work, and hand-held tools such as saws and nail guns for the construction of forms for modifications to foundations. Each kiosk and toilet would require removal of the existing facility and replacement with a new one, which would take from two to five days at each location. Work crews would consist of up to five members per day at each location. Multiple crews could be operating at different locations at the same time. The construction contractor would be responsible for identifying staging locations, which would take place on city streets. Equipment, materials and work crew members would temporarily occupy on-street parking spaces next to work locations during the delivery and removal of toilets and kiosks, for concrete pumping, and for similar construction activities. Where no parking lanes are available, partial (single-lane) road closures during work times, which would be generally between 7:00 AM and 5:00 PM, Monday through Friday, would be required. At least one lane of traffic would be maintained along the streets during construction and a flag person would be on duty to maintain traffic flow when necessary. Access to residences and businesses would be maintained at all times. Public Works and the project construction contractor would coordinate with SFMTA to minimize disruption and delay of traffic movement and transit service on the project streets. Portable toilets would be provided at public parks/open space toilet-replacement locations operated and maintained by the Recreation and Park Department during construction.

The project would be initiated upon completion of the environmental review process and approval of the renewed contract with JCDecaux. The proposed project would be completed in approximately six months, and start in fall, 2020. Construction activities would primarily be conducted between 7:00 am to 5:00 p.m. Monday through Friday; however, evening and weekend work may be required.

PROJECT APPROVALS

Board of Supervisors

- Approval of contract with JCDecaux

Historic Preservation Commission

- **Certificate of Appropriateness and Permit to Alter** from the Historic Preservation Commission for the replacement of 6 existing non-historic public toilets and 34 kiosks located within the boundaries of Article 10 and Article 11 landmarks, landmark districts, and conservation districts including: Coit Tower (City Landmark No. 165), Washington Square Park (City Landmark No. 226), Civic Center Landmark District, Jackson Square Landmark District, Kearny- Market-Mason-Sutter Conservation District, New Montgomery-Mission-Second Street Conservation District, Kearny-Belden Conservation District, and Pine-Sansome Conservation District.

San Francisco Port Commission

- Building Permit
- Encroachment permit

Recreation and Park Commission

- Encroachment permit

Public Works

- Excavation Permit
- Surface-Mounted Facilities Permit (relocations only)

Actions by Other Government Agencies

- San Francisco Bay Conservation and Development Commission (BCDC): Administrative Permit

PUBLIC WORKS STANDARD CONSTRUCTION MEASURES

The Department of Public Works (Public Works) has established standard construction measures for all projects that would be implemented as part of the proposed project.¹ The main objectives of these measures are to:

- Reduce impacts on existing resources to the extent feasible;
- Include activities such as early identification of sensitive environmental resources in the project area; and
- Notify businesses, owners, and residents of adjacent areas potentially affected by the projects about the nature, extent, and duration of construction activities.

¹ San Francisco Department of Public Works, Standard Construction Measures, July 1 2015.

Public Works would ensure that the proposed project's contract specifications contain uniform minimum provisions to address these issues.

CHANGES TO APPROACH TO ANALYSIS

Analysis of Potential Environmental Effects

Section 31.19(c)(1) of the San Francisco Administrative Code states that a modified project must be reevaluated and that, "If, on the basis of such reevaluation, the Environmental Review Officer determines, based on the requirements of CEQA, that no additional environmental review is necessary, this determination and the reasons therefor shall be noted in writing in the case record, and no further evaluation shall be required by this Chapter."

The FND found that the project would not result in any significant impacts. As described above, the modified project proposes replacement of the existing 25 toilets and 114 kiosks with a new modern design, relocation of three toilets, and expanding some the existing toilets to double-stall toilets. Taking into account these changes, the modified project would have similar effects as the original project.

As described further below, the modified project would not result in new, different, or substantially greater environmental impacts, nor would it require new mitigation measures. No new information has emerged that would materially change the analyses or conclusions set forth in the FND for the original project. Therefore, the modified project would not change the analysis or conclusions reached in the FND.

Land Use

The FND found that the original project would not result in substantial changes in land use given the toilet and kiosks relatively small scale and diffused distribution. The FND stated that the project could not disrupt or divide established land use patterns from the placement of freestanding toilets and kiosks on sidewalks and other public properties. The modified project would replace the existing toilets and kiosk at the same locations as the existing facilities with the exception of three locations that would be moved slightly to ensure they would not disrupt the existing path of travel; therefore, the modified project would similarly result in less-than-significant impacts to land use and land use planning.

Aesthetics

The FND found that the original project would not result in substantial changes to aesthetics, scenic vistas, or light and glare. This was because the vast majority of proposed locations were in the dense downtown area, or in commercial districts and along boulevards characterized by the diversity and high density of built urban features, including a variety of street furniture and signage. As an addition of a limited number of prominent but relatively small-scale urban features to an existing dense and diverse urban setting, the original project added structures and advertising signage that some persons may find objectionable, but which could not have significant adverse impacts on the aesthetic character of the city, and would not be substantially incompatible or inconsistent with the existing urban pattern. The FND stated that a more detailed assessment of the design and placement of these features would be conducted by public hearing of the San Francisco Arts Commission's Civic Design Review Committee, which would evaluate the proposal and make recommendations based in part on aesthetic considerations (such as

architectural treatment) beyond the scope of this environmental review. Like other similar features typical of urban streetscapes, such as street trees, street furniture and newsstands, the proposed toilets and kiosks would partially obstruct some existing scenic views from public streets and spaces in the immediate proximity, such as view corridors along city sidewalks. This effect would be limited and localized where it would occur, and therefore would result in a less-than-significant impact. Additionally, the FND states the small-scale effects of specific facilities on particularly sensitive view locations (such as along the waterfront or in a public park space) would be one of the issues considered on a case-by-case basis during the approval process by various city agencies, such as the Port Commission, the Recreation and Park Commission, the Department of Public Works and the San Francisco Arts Commission's Civic Design Review Committee. The FND stated that kiosks and public toilets would be illuminated during the nighttime hours, and would introduce light in the immediate area. Being located in areas along major boulevards, these increases in light would represent marginal incremental increases in light sources, and thus would not have substantial impacts due to increases in light.

As with the original project, the modified project would not result in a significant impact to public views and aesthetics, or light and glare. The modified project would replace the existing toilets and kiosks within the same locations as the existing facilities (with the exception of the three locations identified above) and would therefore have similar less-than-significant impacts to scenic resources and aesthetics. The modified project would have up to three 12-foot-tall panels of illuminated vertical advertising. On 70 of the proposed 114 kiosks, there would be up to two changeable electronic display panels. As such, the modified project would result in limited additional lighting in the immediate surroundings of the kiosks. The increase in light and glare resulting from the modified project would be a marginal incremental increase from the original project. Therefore, the modified project would not result in substantial increase in light and glare from the original project.

Similar to the original project, the proposed new toilets and kiosks would be considered on a case-by-case basis during the approval process by various City agencies, such as the Port Commission, the Recreation and Park Commission, the San Francisco Arts Commission's Civic Design Review Committee, and the Historic Preservation Commission. Therefore, the modified project would similarly result in less-than-significant impacts to aesthetics, scenic vistas, or light and glare.

Archeological Resources

The FND determined that the original project would result in less-than-significant impacts to archeological resources. The installation of facilities proposed by the original project required shallow excavation as needed to connect the toilets to city utilities. The FND stated this would affect only highly disturbed fill material just below the pavement surface which could not contain any significant archaeological resources that might be destroyed or disrupted by the project.

Since that time, the Planning Department's guidance for analysis of archeological resources has been updated. Therefore, the Planning Department prepared a Preliminary Archeological Review (PAR) for

the modified project.² The site history and soil formations vary widely because the project locations are distributed throughout the eastern part of the City. The sites closest to the San Francisco Bay are located on bay fill and generally are not expected to be archaeologically sensitive at the expected excavation depths for the modified project. Archaeological resources tend to be closer to the surface in the Mission District and potentially in the central part of the Market Street corridor. Review of all archaeological records indicates that there are no previously documented resources at any of the project locations. A number of the locations are very close to known or suspected prehistoric, maritime or Hispanic period archaeological resources, and/or are within generally archaeologically sensitive areas identified by the city archaeologist based on archival research.

Suspected buried prehistoric and maritime resources would be expected to occur within the modified project areas; however, because the anticipated maximum depth of excavation for the modified project would be 3 feet, it is unlikely that these resources would be encountered in project excavations. However, there is a potential for Hispanic-period resources to be present within the anticipated zone of disturbance at two work sites at Market/Church streets (both a proposed toilet and kiosks), and at the South Van Ness/Cesar Chavez (proposed toilet) site. The former is a location where a Hispanic period acequia (water conveyance feature) may have crossed Market Street. The latter is a potential location of Bernal's stone wall.³ Archaeological evidence for such features, if present, is likely to be very subtle. Therefore, an archaeological monitor should be present during excavations at these sites, consistent with Public Works Standard Construction Archeological Measure II - Archeological Monitoring (SCM II). Implementation of Public Works Standard Construction Archeological Measures I - Accidental Discovery (SCM I) is required for all of the other sites. With implementation of Public Works Standard Construction Measures I and II, the modified project would similarly result in less-than-significant impacts to archaeological resources.

Historic Architectural Resources

The FND found that the original project would not result in substantial changes to cultural resources, including to preservation of buildings subject to the provisions of Article 10 or Article 11 of the San Francisco Planning Code.

The modified project would replace the existing non-historic public toilets and kiosks in the same locations (except for three toilets that would be slightly moved). The modified project would include a total of 25 public toilets and 114 kiosks spread throughout the City of San Francisco. Of the total proposed toilets and kiosks, 10 of those toilets and 38 kiosks would be located within Local, California, and National historic districts and individual local landmarks listed below. The Planning Department preservation team reviewed the proposed project to determine whether it would cause a significant adverse impact to these historic districts and individual landmarks. The results of this review were summarized in a Preservation Team Review Form, which determined that the proposed project would

² San Francisco Planning Department, Environmental Planning Preliminary Archeological Review. Toilets and Kiosks Replacement, August 29, 2017. This document is on file and available for review at the San Francisco Planning Department as part of Case File 2017-009220ENV.

³ The Bernal's stone wall was built in the approximate area of Army Street (now Cesar Chavez) that separated the Spanish land grant of Potrero Hill from the Bernal Heights Ranch. When the Spanish ranches were broken into smaller plots of land, private citizens carried away the stones and used them in their homes or for walls surrounding their property. Portions of this wall may still remain near the South Van Ness/Cesar Chavez proposed toilet site.

not cause a significant adverse impact on the historic districts or the individual landmarks.⁴ The Planning Department determined that the proposal to replace the existing non-historic public toilets and kiosks with new redesigned toilets and kiosks is consistent with the Secretary of the Interior Standards (Secretary's Standards) and would not impair the character defining features of the identified historic districts.⁵ The following describes the historic districts and individual landmarks where the modified toilets and kiosks would be located. Following is a list of the proposed toilet and kiosk locations within historic districts and individual landmarks and their historical registers.

Historic District and Individual Landmark Toilet Locations:

- 1 toilet at Coit Tower, Individual Local Landmark No. 165
- 1 toilet at Washington Square Park, Individual Local Landmark No. 226 and Washington Square Historic District (California Register)
- 2 toilets within Civic Center Historic District (Article 10, California and National Register)
- 2 toilets within Kearny-Market-Mason-Sutter Conservation District (Article 11 and California Register)
- 2 toilets within Uptown Tenderloin Historic District (California and National Register)
- 1 toilet within Port of San Francisco Embarcadero Historic District (California and National Register)
- 1 toilet within Golden Gate Park Historic District (California and National Register)

Historic District and Individual Landmark Kiosk Locations:

- 2 kiosks within Civic Center Historic District (Article 10, California and National Register)
- 1 kiosk within Jackson Square Historic District (Article 10, California and National Register)
- 1 kiosk within Kearny-Belden Conversation District (Article 11 and California Register)
- 23 kiosks within Kearny-Market-Mason-Sutter Conservation District (Article 11 and California Register)
- 6 kiosks within New Montgomery-Mission-2nd St Conservation District (Article 11 and California Register)
- 1 kiosk within Pine-Sansome Conservation District (Article 11 and California Register)
- 1 kiosk within Upper Market Street Commercial Historic District (California Register)
- 1 kiosk within Sixth Street Lodging House Historic District (California Register)
- 1 kiosk within Market Street Theatre and Loft Historic District (California and National Register)
- 1 kiosk within Aquatic Park Historic District (California and National Register)

The existing public toilets and kiosks were designed in a turn of the 20th century style and installed in 1995 and are therefore non-historic and non-contributing to the landmarks, landmark districts, conservation districts, and historic districts in which they are located. The existing design included fluted and modeled fascia, domes, brass knobs, and a green with gold trim color scheme. The existing public toilets feature a single-stall, measure approximately 12'-3" in length by 7'-1" in width and 9'-10" in height, and have a rounded footprint and shape. The existing kiosks include two types and sizes, both measure approximately 5'-5" in diameter and are either 14'-4" or 17'-5" tall, and feature a circular

⁴ San Francisco Planning Department Preservation Team Review Form, September 6, 2018. This document is on file and available for review at the San Francisco Planning Department as part of Case File 2017-009220ENV.

⁵ San Francisco Planning Department Preservation Team Review Form, September 6, 2018. Ibid

footprint and shape. Some of the kiosks were designed to contain newsstands and the rest function as non-functional advertising kiosks with one advertising panel dedicated to city/public service uses and two panels dedicated for advertising purposes.

The modified project would consist of a contemporary design for the replacement toilets and kiosks, a departure from the existing structures which convey a historic aesthetic. The proposed design is intended to reference the aesthetic of new city street furniture such as Market Street subway entrances, bus shelters, the Civic Center kiosk, etc. The kiosks and toilets in the new design are curved, abstract, sculptural structures: the toilets would be roughly a rounded hourglass shape in plan, and the kiosks, a rounded triangle. In elevation, they are wider at the middle and taper towards the top and bottom. Both would have a sculptural, polished concrete base. A bowed glass surface would cover the advertising panels on the kiosks and would connect with the adjoining sculpted surfaces. The public toilets would feature a durable concrete base and formed textured stainless steel panels for the walls and door with a fiberglass roof that includes a skylight. The exterior shell of the kiosks would consist of glazed poster/display space and formed textured stainless steel panels for the walls and door with a fiberglass cap hiding antennas.

The proposed public toilets would come in two sizes, including single- and double-stall toilets. The proposed single toilet would be slightly larger and taller than the existing, measuring 14 feet in length, 9 feet in width, and 13.5 feet in height, resulting in an increase of 2 feet in width and length, and 3.5 feet in height. The proposed double-stall toilets would be approximately 4 feet longer.

The proposed replacement kiosks would either be designed as multi-service kiosks, intended to serve micro-businesses, way-finding and neighborhood services, or as standard advertising kiosks. The proposed replacement kiosks would have similar dimensions to the existing, ranging from 14 to 17 feet tall, 5 to 6 feet in diameter, with three illuminated vertical panels approximately 12 feet tall. On 70 of the proposed 114 kiosks, there would be up to two changeable electronic display panels.

Based on the requirements of Article 10 and 11 of the Planning Code and the Secretary of Interior's Standards, Planning Department staff has determined that the proposed work is compatible with, and would not adversely affect the surrounding historic resources.⁶ Specifically, the existing structures falsely evoke a historic aesthetic and their removal would not result in the loss of any historic fabric. The proposed design of the structures would be sufficiently differentiated from the historic buildings through the use of contemporary materials while maintaining a compatible appearance through the small scale, rounded form, and shaped massing of the structures. The curved shape further reduces the perception of the volume and allows the structures to recede as subordinate elements of their site.

The replacement structures would be located within or near the existing locations. The number of toilets and kiosks would not increase from the existing 25 toilets and 114 kiosks, and would continue to be free-standing structures located in the public right-of-way or on lots operated by the Port or the Recreation and Park Department. The existing structures are not attached to any existing buildings and the proposed new facilities would not remove or alter any character-defining features. If removed in the future, the

⁶ San Francisco Planning Department Preservation Team Review Form, September 6, 2018. This document is on file and available for review at the San Francisco Planning Department as part of Case File 2017-009220ENV.

essential form and integrity of the historic districts and their surroundings would be unimpaired. Due to the scale, sculptural design, and relative location of the proposed replacement kiosks and toilets, the proposed project would not materially impair the character defining features of any of the historic districts or surroundings resources in which they would be located. Additionally, as discussed above individual installations would be required to obtain a Certificate of Appropriateness and Permit to Alter from the Historic Preservation Commission for the proposed installation of the toilet and kiosk structures within Article 10 and 11 districts. Therefore, the modified project would have similar impacts to cultural resources as the original project, and the impact would remain less-than-significant.

Transportation and Circulation

The FND determined that the transportation and circulation impacts, including construction impacts and pedestrian impacts from operation of the project would be less-than-significant. The FND determined that there may be short-term impacts on vehicle traffic circulation, pedestrian circulation and parking in the immediate proximity of proposed toilet and kiosk sites during installation, due to the presence of construction vehicles, equipment and materials. These effects would be temporary in duration, and therefore not significant.

The FND determined that the original project would result in less-than-significant pedestrian impacts from operation of the project. The modified project would replace these existing facilities on sidewalks largely in the downtown area where pedestrian volumes are highest. Therefore, project has the potential to adversely affect pedestrian circulation. Project facilities would be sited in accordance with guidelines established and implemented by the Department of Public Works, the provisions of which include minimum circulation spaces between all street furniture, between street furnishings and structures, and minimum distances from corner cross walks, handicapped access ramps and fire escapes. The original project represented a small incremental increase in overall pedestrian obstructions in the downtown area, which would not be significant. Some individual sites already experiencing pedestrian congestion may become further restricted; however, this impact would occur only for very short periods of time (weekday peak commute and lunch hours) in very limited locations (mostly downtown financial district areas), and therefore would not be significant overall. Pedestrian traffic flows for individual locations would be evaluated on a case-by-case basis during the siting and approval process by the Department of Public Works.

The modified project would result in similar construction impacts as with the original project. Construction impacts would result from short-term impacts (over 2-5 days) on traffic circulation, pedestrian circulation, and parking in the immediate proximity of proposed toilet and kiosk sites during installation due to the presence of construction vehicles, construction workers, equipment, and materials. As described above, these activities are anticipated to take two-to-five days at each location and would primarily be staged in on-street parking spaces. Where adjacent on-street parking is not available, at least one lane of traffic would be maintained along the streets during construction and a flag person would be on duty to maintain traffic flow when necessary. Therefore, the modified project would similarly result in less-than-significant impacts from construction as the original project.

The modified project would be replace the existing toilets and kiosk within the same locations as the existing facilities with the exception of three locations that would be moved slightly to ensure they would

not disrupt the path of travel; therefore, the modified project would similarly result in less-than-significant impacts to transportation and circulation impacts.

Odors

The FND determined that the original toilet facilities would be connected directly to city sewer lines, and are designed to flush, self-clean and disinfect automatically after each use, and equipped with ventilation systems and therefore installation of 25 toilets citywide would not have the potential to create significant objectionable odors either cumulatively or in the immediate vicinity of each facility. The modified project would replace the 25 existing toilets in the same locations, except for 3 locations which would be moved a minimal distance. These new facilities would also connect directly to city sewer lines and thus would have no greater direct or cumulative odor effects as the original project. Therefore, the modified project would have similar impacts relating to odors as the original project discussed in the FND and this impact would be less-than-significant.

Other Environmental Topics

When compared to the original project, the modified project would represent no change from the less-than-significant impacts related to population and housing, noise, air quality, wind and shadow, recreation, utilities and service systems, public services, biological resources, geology and soils, hazards and hazardous materials, hydrology and water quality, mineral/energy resources, and agricultural and forest resources discussed in the FND. The modified project would neither increase the severity of the impacts associated with the project or result in new or substantially different environmental effects.

Conclusion

Based on the foregoing, it is concluded that the analyses conducted and the conclusions reached in the final negative declaration adopted and issued on September 23, 1993 for the original project remain valid and that no supplemental environmental review is required. The proposed revisions to the project would not cause new significant impacts not identified in the final negative declaration, or result in substantially more severe impacts and no new mitigation measures would be necessary to reduce significant impacts. No changes have occurred with respect to circumstances surrounding the proposed project that would cause significant environmental impacts to which the project would contribute considerably, and no new information has become available that shows that the project would cause significant environmental impacts. Therefore, no supplemental environmental review is required beyond this addendum.

I do hereby certify that the above determination has been made pursuant to State and Local requirements.



Lisa Gibson
Environmental Review Officer

October 5, 2018

Date

Date of Determination

cc: Oliver Iberien, Public Works
Natalia Kwiatkowska, Preservation Planner
Distribution List
Virna Byrd, Master Decision File/Bulletin Board

Attachment A – Locations of the Proposed Toilets and Kiosks

Table 1 - Double-Lavatory Locations

Name	Address
Twin Peaks - A	Twin Peaks
Twin Peaks - B	Twin Peaks
Civic Center	Grove Street & Larkin St.
Fisherman's Wharf - A	Jefferson Street & Powell St
Fisherman's Wharf - B	Jefferson Street & Powell St
U.N. Plaza	Market Street & 7 th St
Hallidie Plaza	Market & Powell St
Market & Castro	Market & Castro
Cesar Chavez & S. Van Ness	Cesar Chavez & S. Van Ness
Pier 7	Pier 7
Embarcadero & Harrison	Embarcadero & Harrison
Embarcadero Plaza	Embarcadero Plaza (formerly Justin Herman Plaza)

Table 2 Proposed toilet Locations

Name	Address
Sue Bierman Park	Clay Street & Drumm St
Coit Tower	Coit Tower
Eddy Street & Jones St	Eddy Street & Jones St
Union Square	Geary Blvd & Powell St
Civic Center	Grove Street & Larkin St
Fisherman's Wharf -A	Jefferson Street & Powell St
Fisherman's Wharf - B	Jefferson Street & Powell St
Embarcadero Plaza	Embarcadero Plaza (formerly Justin Herman Plaza)
Sgt. Macaulay Park	Larkin Street & Myrtle St
Market Street & Spear St	Market Street & Spear St
Market Street & Castro St	Market Street & Castro St
Market Street & Church St	Market Street & Church St
Hallidie Plaza	Market Street & Powell St
U.N. Plaza	Market Street & 7 th St
Mission Street & 16th St	Mission Street & 16th St
Mission Street & 24th St	Mission Street & 24th St
Pier 7	Pier 7
Saint Mary's Square	Pine Street & Quincy St
South Van Ness Ave & Cesar Chavez St	South Van Ness Ave & Cesar Chavez St
Golden Gate Park	Stanyan Street & Waller St
Taylor Street & Bay St	Taylor Street & Bay St
The Embarcadero & Harrison St	The Embarcadero & Harrison St
Twin Peaks - A	Twin Peaks
Twin Peaks - B	Twin Peaks
Washington Square Park	Union Street & Columbus Ave

Table 3 Proposed Kiosk Locations

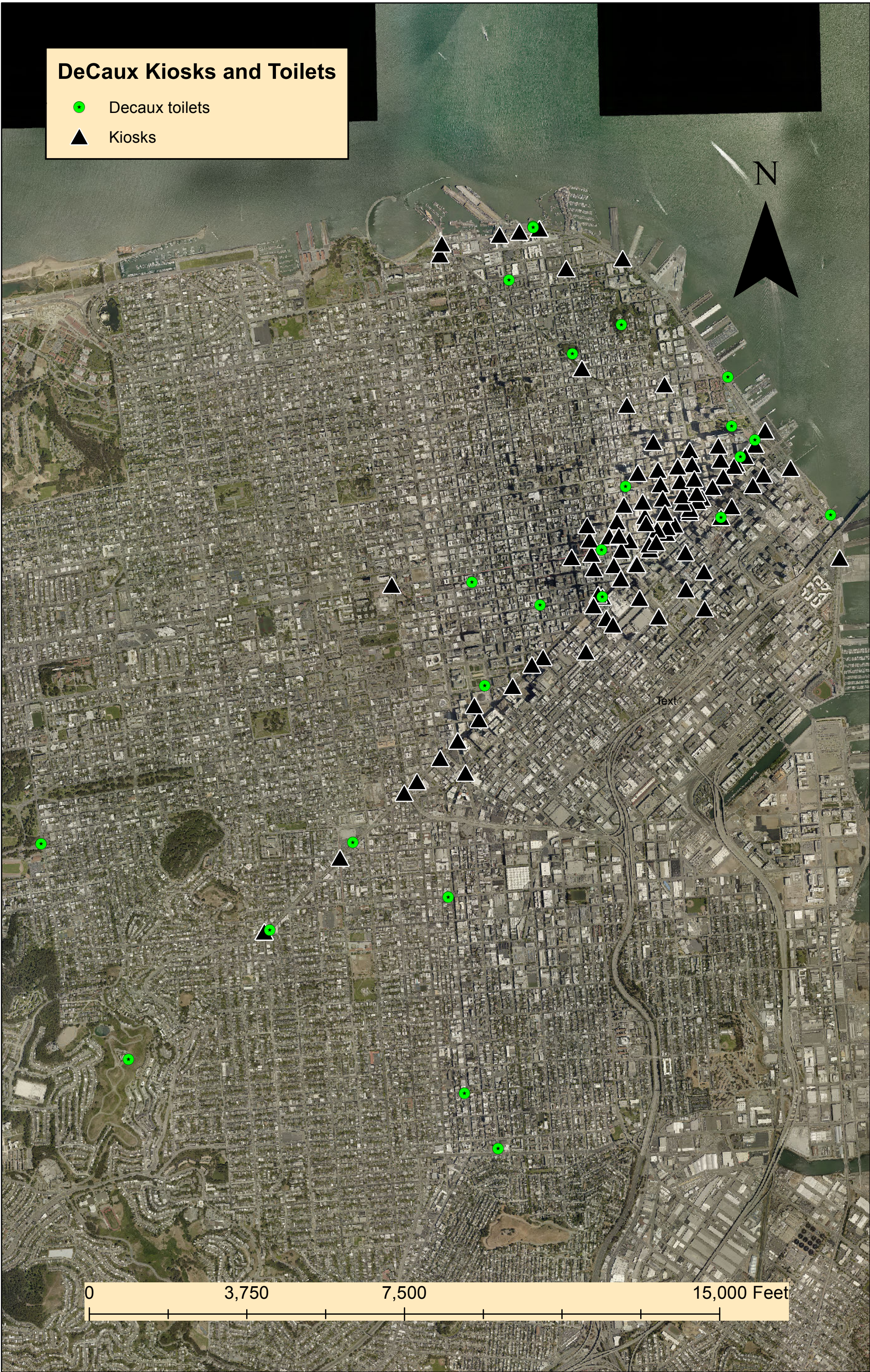
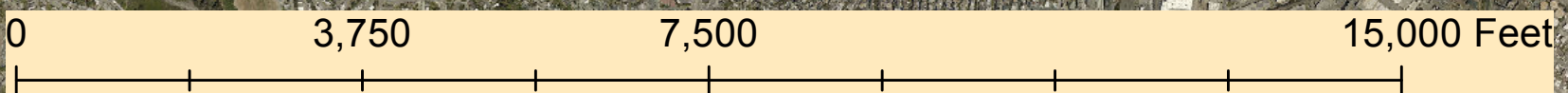
Kiosk Number	Address	Type
SFO0001SF	Bay Street & The Embarcadero	
SFO0002SF	148 The Embarcadero	
SFO0003SF	Market Street & Steuart St	Newsstand
SFO0004SF	Market Street & Spear St	Newsstand
SFO0005SF	Drumm Street & Market St	Newsstand
SFO0006SF	Market Street & Main St	Newsstand
SFO0007SF	Market Street & Davis St	Newsstand
SFO0008SF	Market Street & Beale St	Newsstand
SFO0009SF	Market Street & Pine St	Newsstand
SFO0010SF	Market Street & Fremont St	Newsstand
SFO0011SF	Market Street & Front St	
SFO0012SF	California Street & Davis St	Newsstand
SFO0013SF	California Street & Sansome St	Newsstand
SFO0014SF	Sacramento Street & Battery St	
SFO0015SF	California Street & Battery St	Newsstand
SFO0016SF	Battery Street & Bush St	Newsstand
SFO0017SF	Market Street & 1st St	Newsstand
SFO0018SF	1st Street & Mission St	Newsstand
SFO0019SF	1st Street & Mission St	Newsstand
SFO0020SF	Market Street & Battery St	Newsstand
SFO0021SF	549 Market St	Newsstand
SFO0022SF	Market Street & 2nd St	Newsstand
SFO0023SF	Market Street & Sutter St	Newsstand
SFO0024SF	49 Sansome St	Newsstand
SFO0025SF	Bush Street & Sansome St	Newsstand
SFO0026SF	Pine Street & Sansome St	Newsstand
SFO0027SF	California Street & Sansome St	Newsstand
SFO0028SF	Sansome Street & Broadway	
SFO0029SF	Montgomery Street & Clay St	Newsstand
SFO0030SF	California Street & Montgomery St	Newsstand
SFO0031SF	Montgomery Street & Pine St	Newsstand
SFO0032SF	Montgomery Street & Bush St	Newsstand
SFO0033SF	Market Street & Montgomery St	Newsstand
SFO0034SF	Market Street & New Montgomery St	Newsstand
SFO0035SF	Market Street & New Montgomery St	Newsstand
SFO0036SF	Montgomery Street & Post St	Newsstand
SFO0037SF	3rd Street & Market St	Newsstand
SFO0038SF	Howard Street & 3rd St	
SFO0039SF	Howard Street & 4th St	

Kiosk Number	Address	Type
SFO0040SF	Market Street & Castro St	Newsstand
SFO0041SF	49 Post St	Newsstand
SFO0042SF	Kearny Street & Sutter St	Newsstand
SFO0043SF	Kearny Street & Bush St	Newsstand
SFO0044SF	California Street & Kearny St	Newsstand
SFO0045SF	Green Street & Columbus Ave	Newsstand
SFO0046SF	Geary Blvd & Kearny St	Newsstand
SFO0047SF	Market Street & Geary Blvd	Newsstand
SFO0048SF	Market Street & Grant Ave	
SFO0049SF	749 Market St	
SFO0050SF	Grant Ave & Maiden Ln	Newsstand
SFO0051SF	349 Sutter St	Newsstand
SFO0052SF	Sutter Street & Montgomery St	Newsstand
SFO0053SF	Stockton Street & Post St	Newsstand
SFO0054SF	149 Geary Blvd	Newsstand
SFO0055SF	Stockton Street & O'Farrell St	
SFO0056SF	Stockton Street & Ellis St	
SFO0057SF	Market Street & Stockton St	
SFO0058SF	Market Street & 4th St	Newsstand
SFO0059SF	4th Street & Mission St	Newsstand
SFO0060SF	Market Street & Ellis St	Newsstand
SFO0061SF	Market Street & Powell St	Newsstand
SFO0062SF	Powell Street & Eddy St	Newsstand
SFO0063SF	O'Farrell Street & Powell St	Newsstand
SFO0064SF	Geary Blvd & Powell St	Newsstand
SFO0065SF	Post Street & Stockton St	Newsstand
SFO0066SF	Powell Street & Post St	Newsstand
SFO0067SF	Geary Blvd & Mason St	Newsstand
SFO0068SF	Cyril Magnin Street & Market St	
SFO0069SF	Market Street & 5th St	Newsstand
SFO0070SF	5th Street & Jessie St	Newsstand
SFO0071SF	Mission Street & 5th St	Newsstand
SFO0072SF	Mission Street & 6th St	Newsstand
SFO0073SF	Market Street & 7th St	Newsstand
SFO0074SF	1140 Market St	
SFO0075SF	Market Street & Grove St	Newsstand
SFO0076SF	249 Post St	Newsstand
SFO0077SF	Polk Street & Fell St	
SFO0078SF	Van Ness Ave & Market St	Newsstand
SFO0079SF	Spear Street & Mission St	Newsstand

Kiosk Number	Address	Type
SFO0080SF	Sacramento Street & Davis St	
SFO0081SF	The Embarcadero & Powell St	
SFO0082SF	Jefferson Street & Powell St	
SFO0083SF	Jefferson Street & Mason St	
SFO0084SF	Taylor Street & Jefferson St	
SFO0085SF	Hyde Street & Beach St	
SFO0086SF	Jefferson Street & Hyde St	
SFO0087SF	Grant Ave & Bush St	Newsstand
SFO0088SF	Battery Street & Bush St	
SFO0089SF	Kearny Street & VerMehr Pl	Newsstand
SFO0090SF	Pine Street & Battery St	
SFO0091SF	South Van Ness Ave & Mission St	
SFO0092SF	South Van Ness Ave & Market St	
SFO0093SF	Geary Blvd & Gough St	
SFO0094SF	Market Street & Castro St	
SFO0095SF	Folsom Street & 3rd St	
SFO0096SF	4th Street & Mission St	
SFO0097SF	Market Street & Castro St	Newsstand
SFO0098SF	4th Street & Howard St	
SFO0099SF	Market Street & Franklin St	
SFO0100SF	New Montgomery Street & Mission St	
SFO0101SF	New Montgomery Street & Howard St	
SFO0102SF	Fremont Street & Mission St	
SFO0103SF	Bay Street & Stockton St	
SFO0104SF	Powell Street & Sutter St	
SFO0105SF	Hayes Street & Polk St	
SFO0106SF	Market Street & Valencia St	
SFO0107SF	Kearny Street & Pacific Ave	
SFO0108SF	California Street & Kearny St	
SFO0109SF	Mission Street & Main St	
SFO0110SF	The Embarcadero & Bryant St	
SFO0111SF	79 The Embarcadero	
SFO0112SF	Market Street & Octavia St	
SFO0113SF	148 The Embarcadero	Newsstand
SFO0114SF	Market Street & Church St	Newsstand

DeCaux Kiosks and Toilets

- Decaux toilets
- ▲ Kiosks



Attachment B - Plans and Renderings of the of the Proposed Toilets and Kiosks

ADA Single
Public Toilet

Double Public Toilet
(1 of 2 stalls is
ADA Accessible)

Interactive Kiosk

Public Service Announcement Kiosk

Multi-Function Kiosk/
Vending*

Market St.

Small



Union Square
Coit Tower
Washington Square Park

Grove St & Larkin St
(Civic Center)
Market St & 7th St
(UN Plaza)
Market St & Powell St
(Hallidie Plaza)

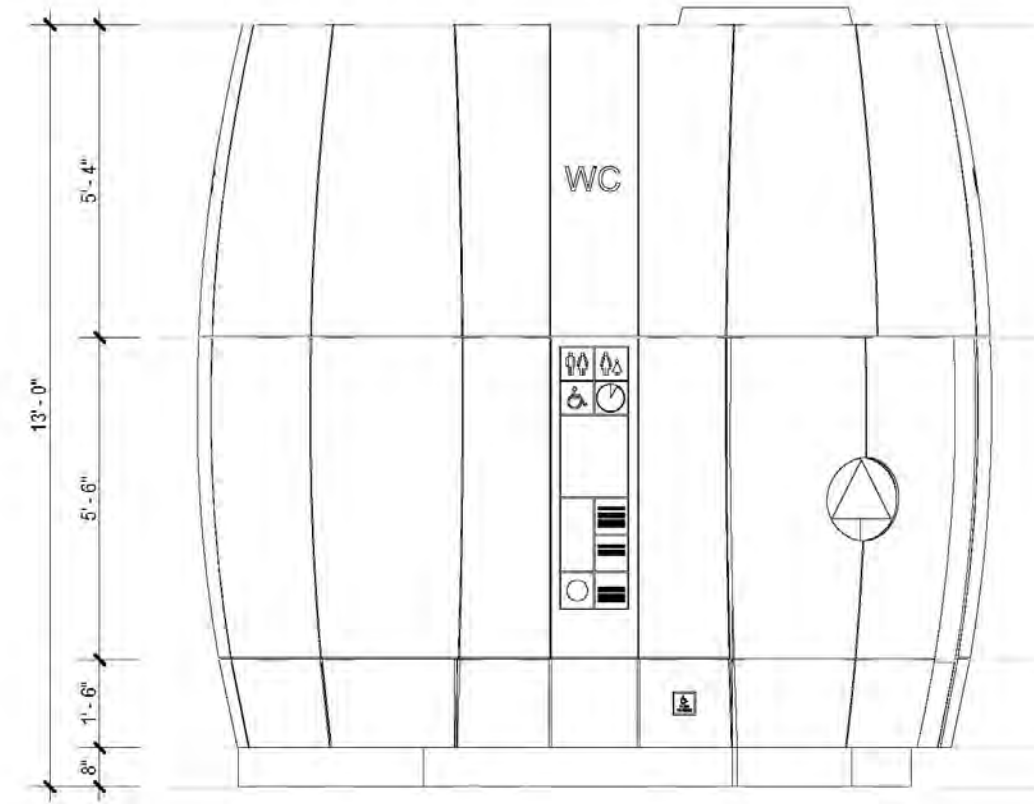
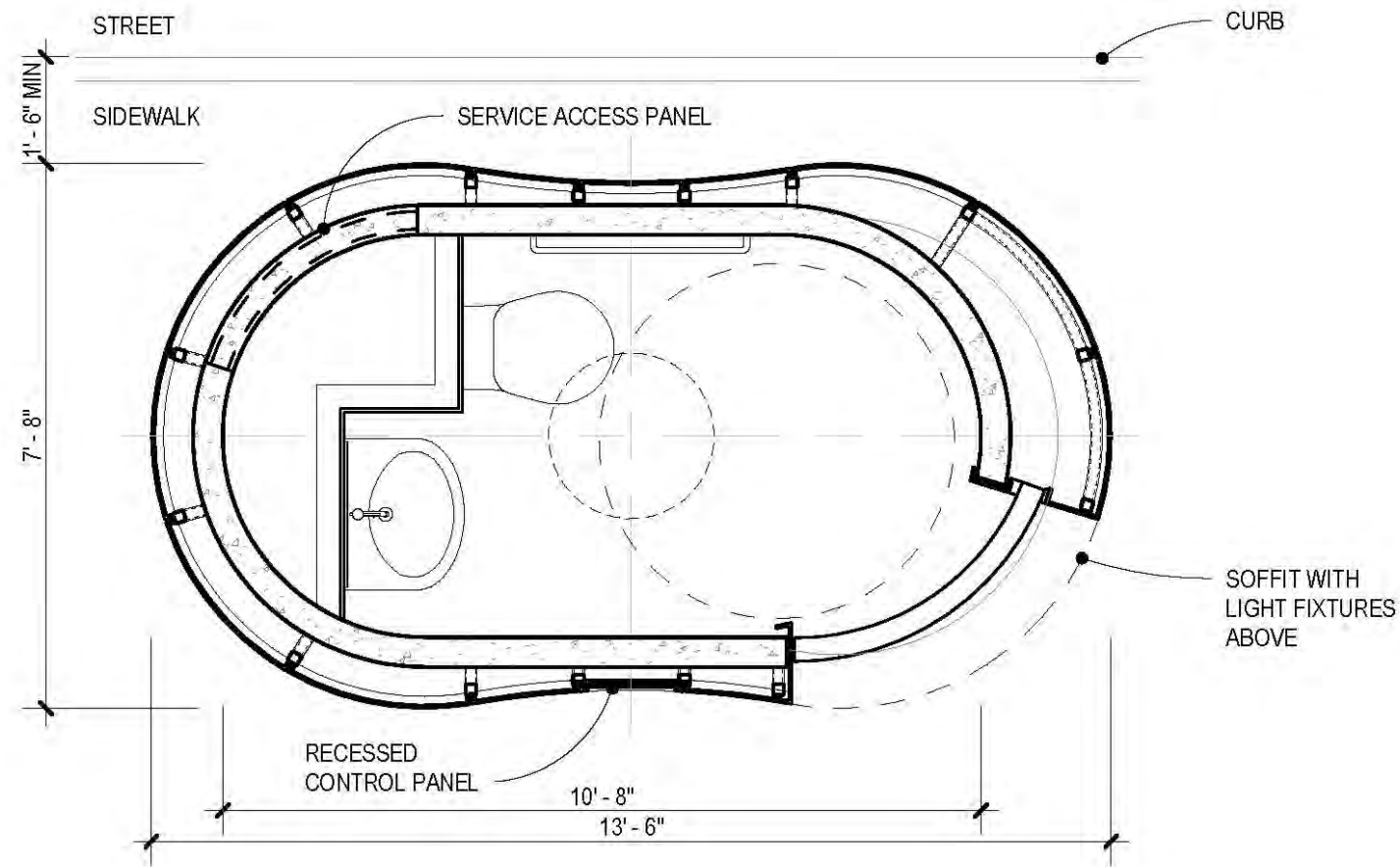
Market St & Montgomery St
Market St & Stockton St

Market St & 5th St
Market St & Ellis St
Market St & 3rd Street
Market St & Grant Ave
Market St & Grove St
1140 Market St

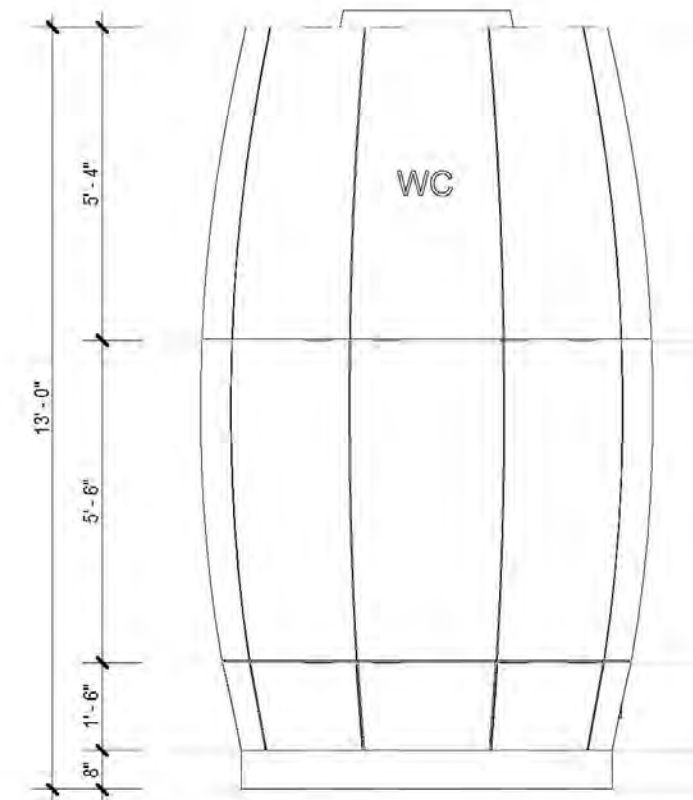
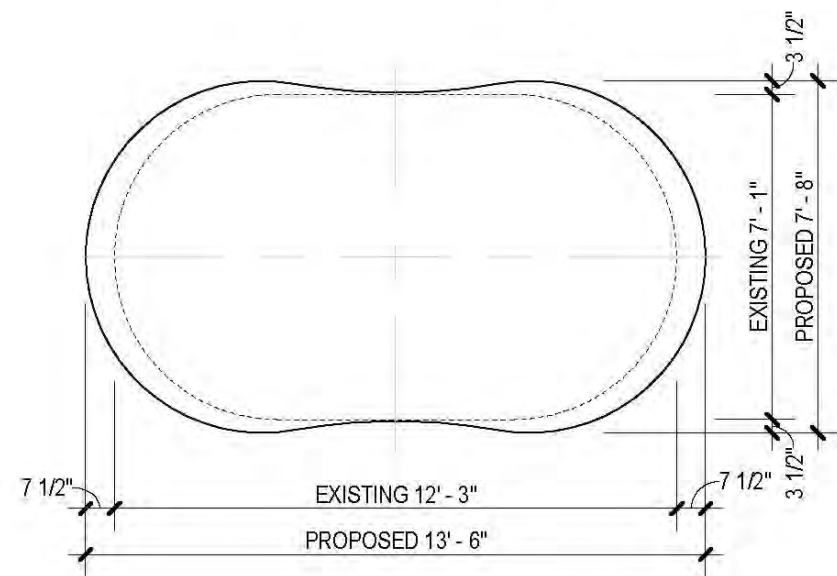
149 Geary St
249 Post St
Geary St & Kearny St
Kearny St & Sutter St
O'Farrell St & Powell St
Pine St & Sansome St
Powell St & Post St
New Montgomery St & Howard St
New Montgomery St & Mission St
Powell St & Sutter St
Kearny St & Pacific Ave
Cyril Magnin St & Market St
Stockton St & Ellis
Stockton St & O'Farrell St
Powell St & Eddy St
Stockton St & Post St
Grant Ave & Maiden Lane
Geary St & Mason St
Geary St & Powell St
Grant Ave & Bush St

Market St & 4th St
Market St & Geary St
Market St & New
Montgomery St
Market St & Powell St

Single Public Toilet Dimensions

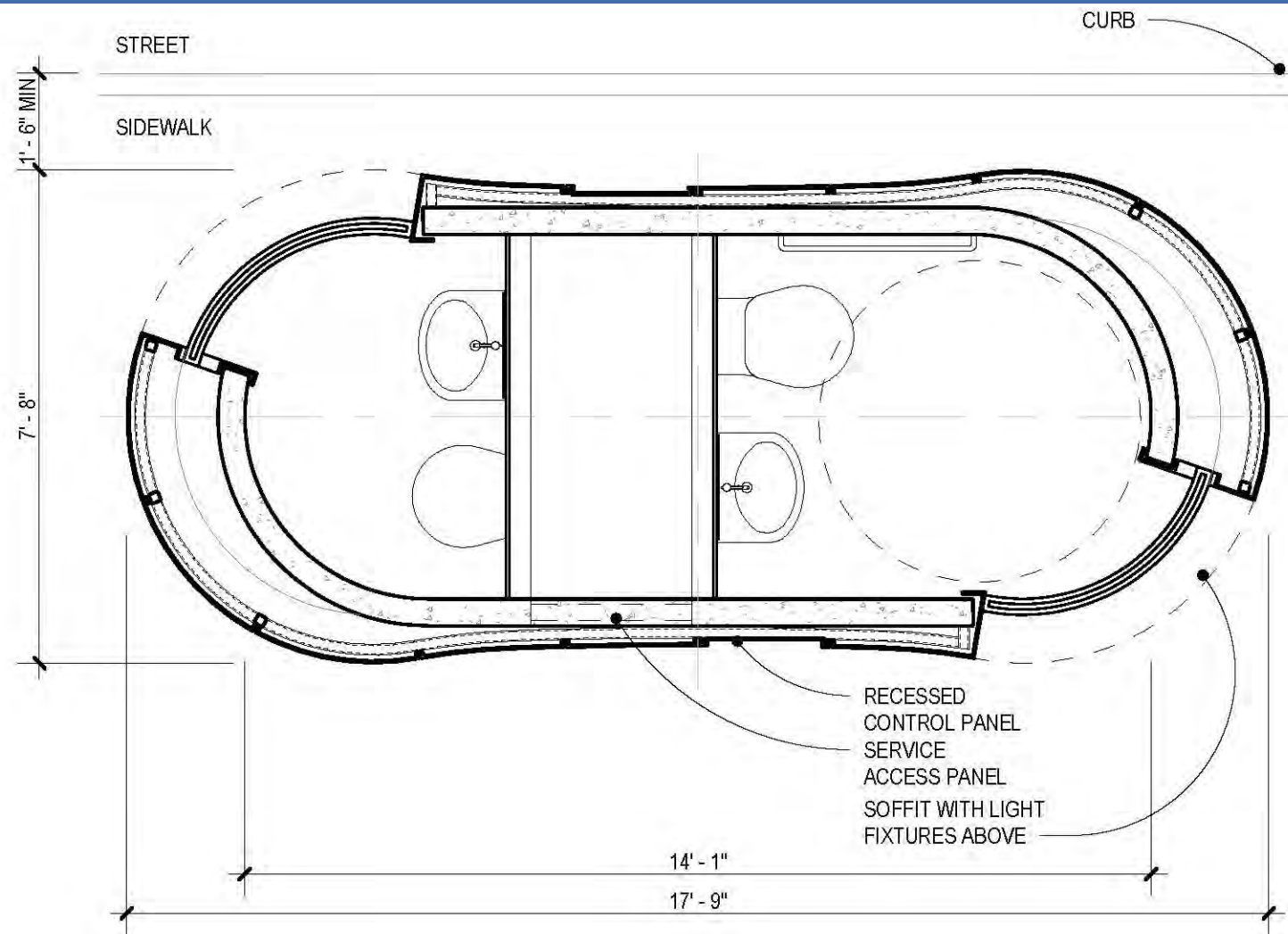


FOOTPRINT OVERLAY EXISTING & PROPOSED - ADA SINGLE TOILET

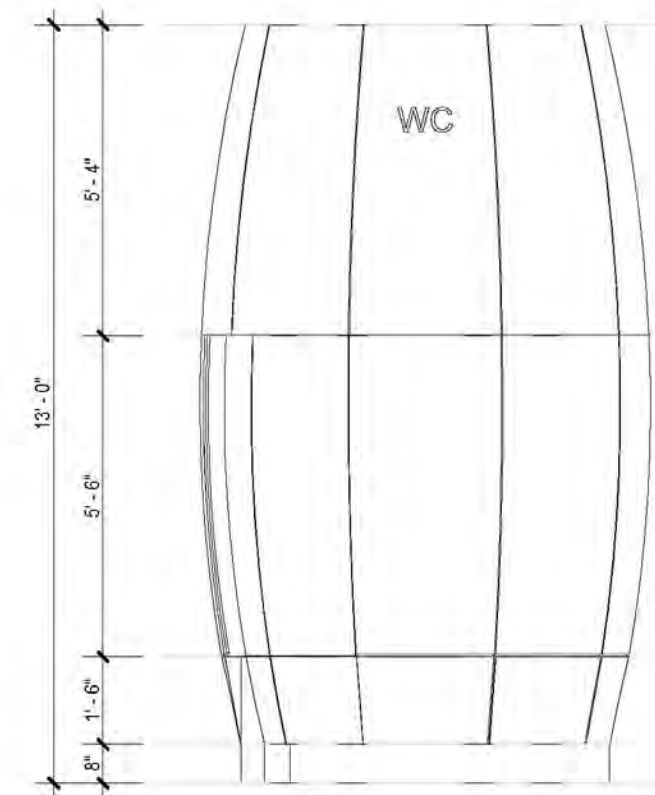
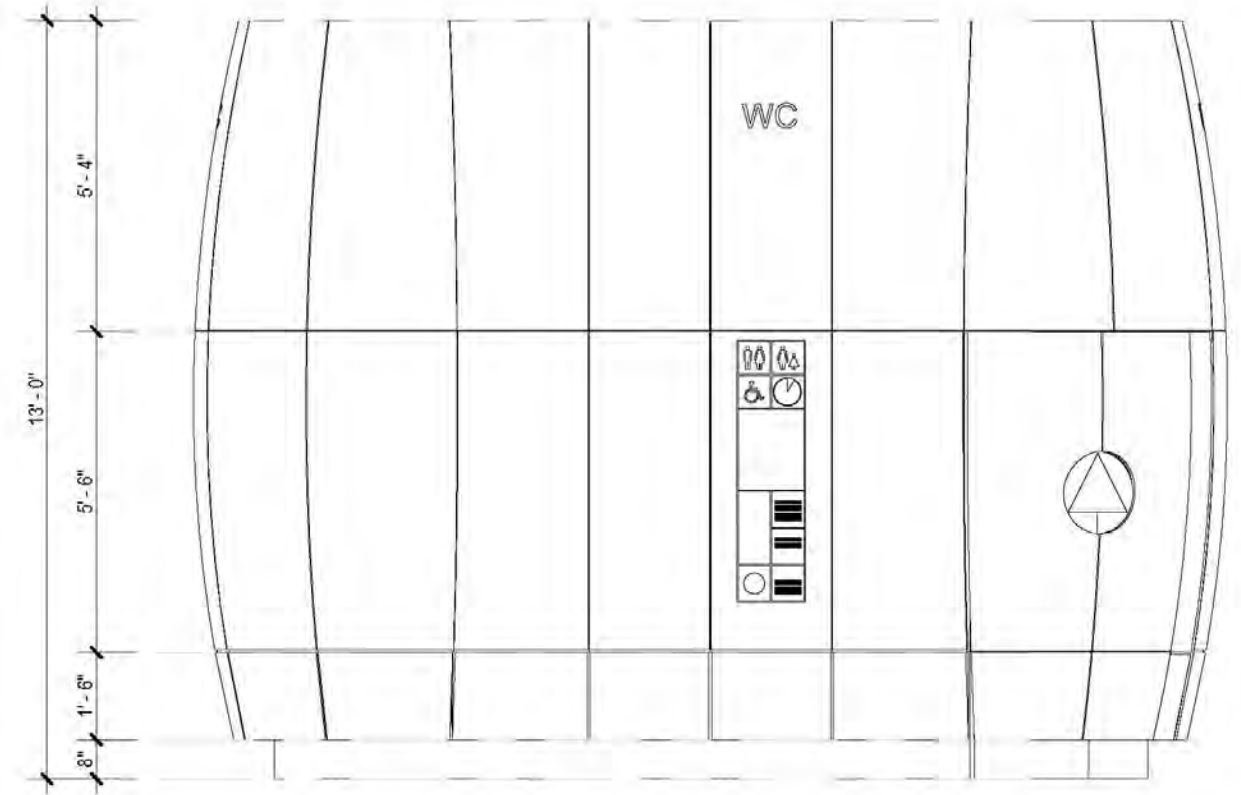
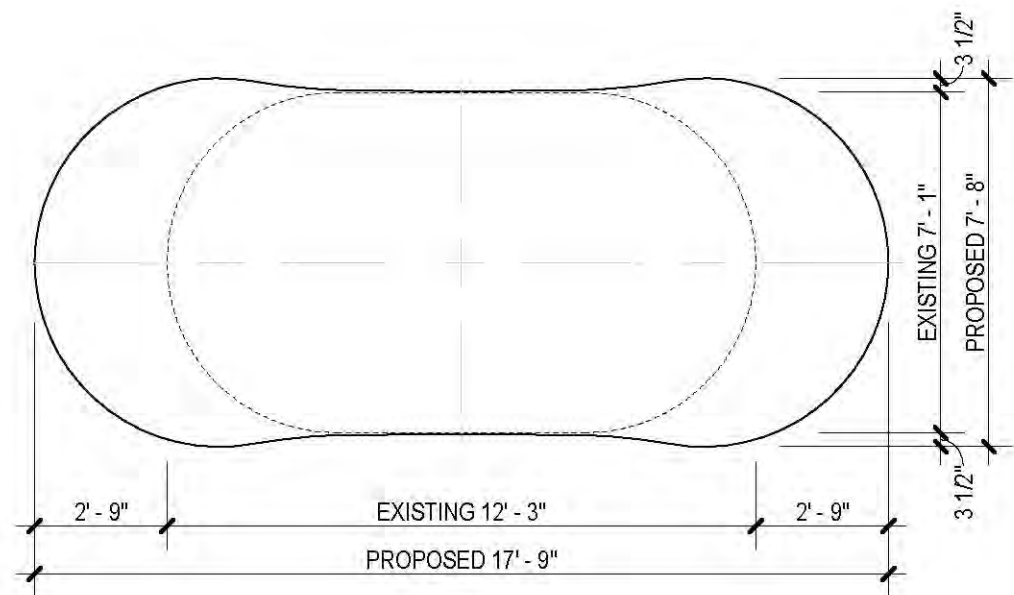


The proposed designs need to be fully developed and engineered over the next few months to confirm that all codes are met and for structural and constructability requirements

Double Public Toilet Dimensions



FOOTPRINT OVERLAY EXISTING & PROPOSED - DOUBLE TOILET



The proposed designs need to be fully developed and engineered over the next few months to confirm that all codes are met and for structural and constructability requirements

Single Public Toilet Design



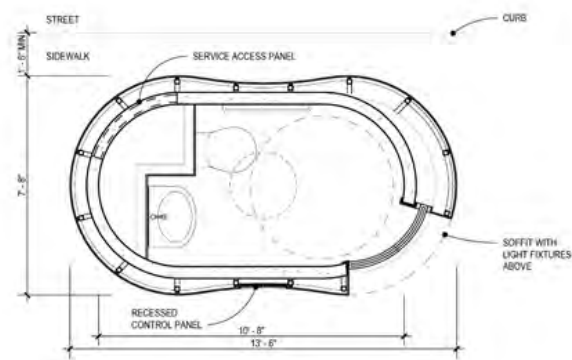
Perspective - From Sidewalk

Perspective - From Street



Elevation - From Sidewalk

Elevation - Side



Double Public Toilet Design



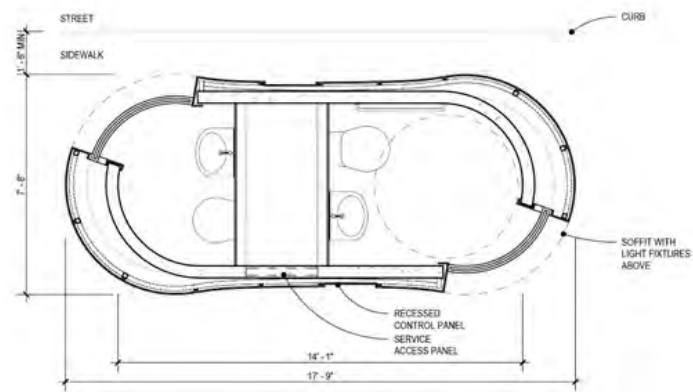
Perspective - From Sidewalk

Perspective - From Street



Elevation - From Sidewalk

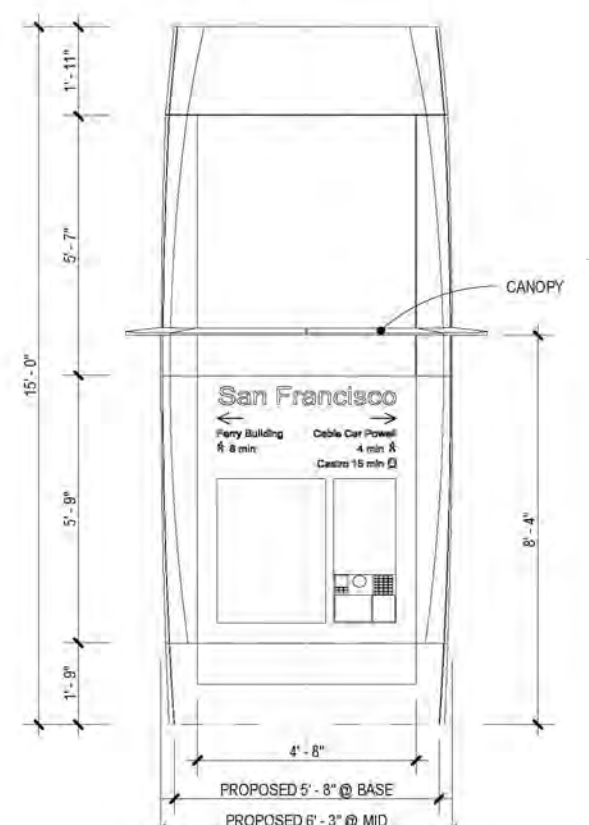
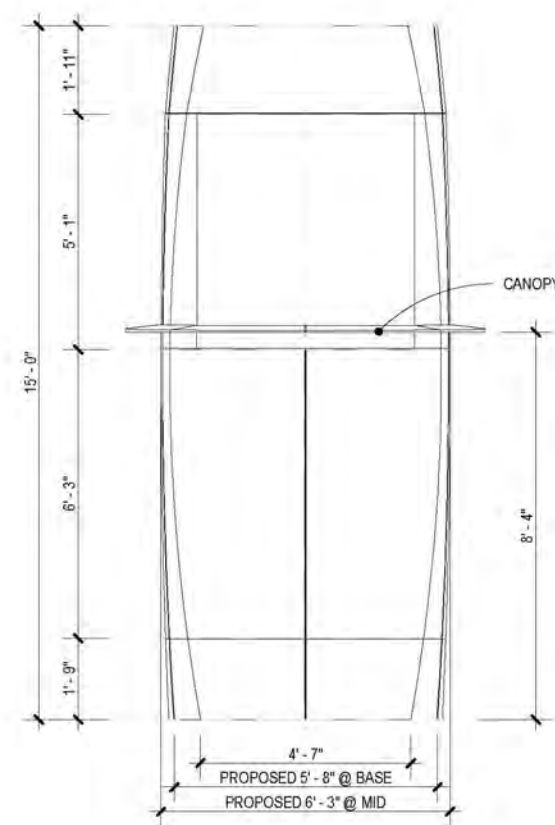
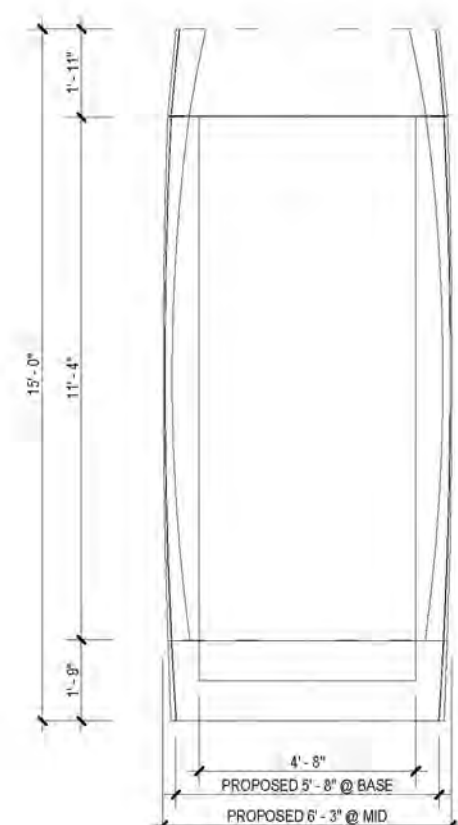
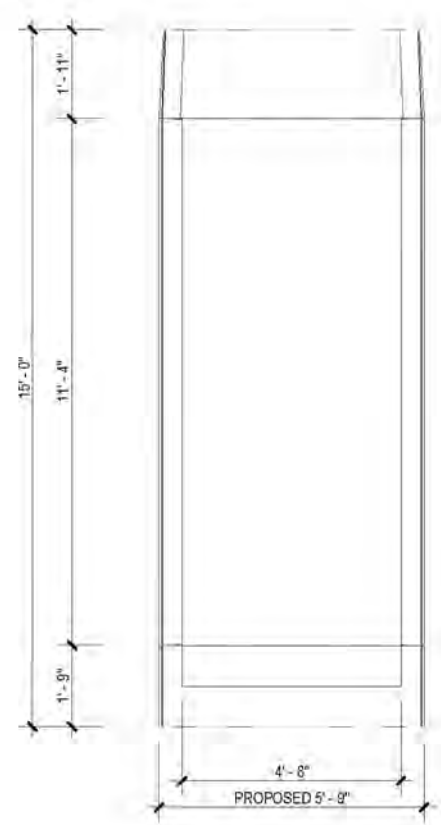
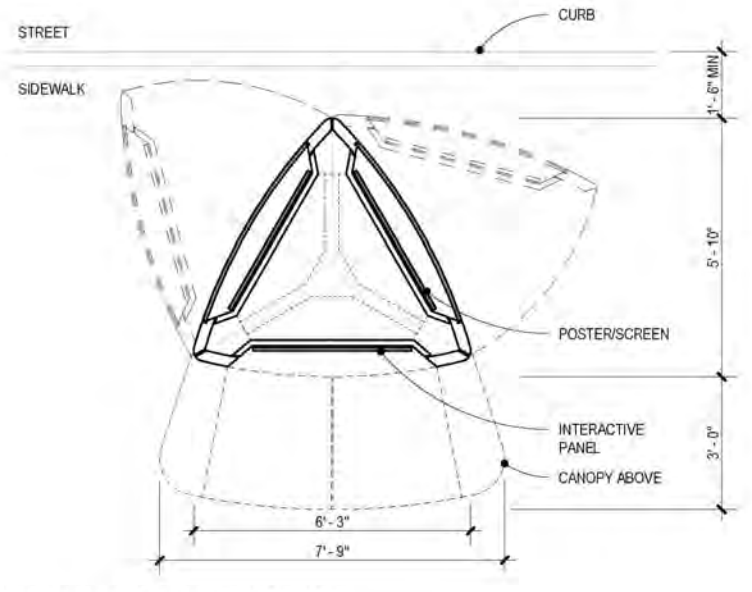
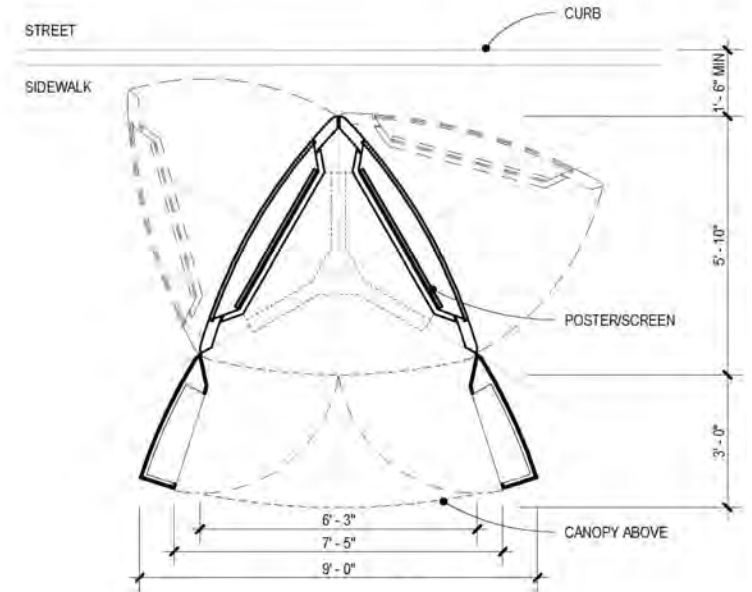
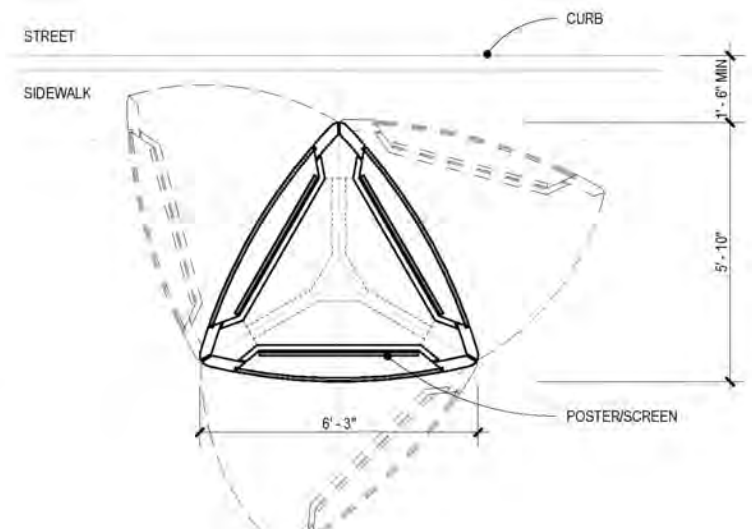
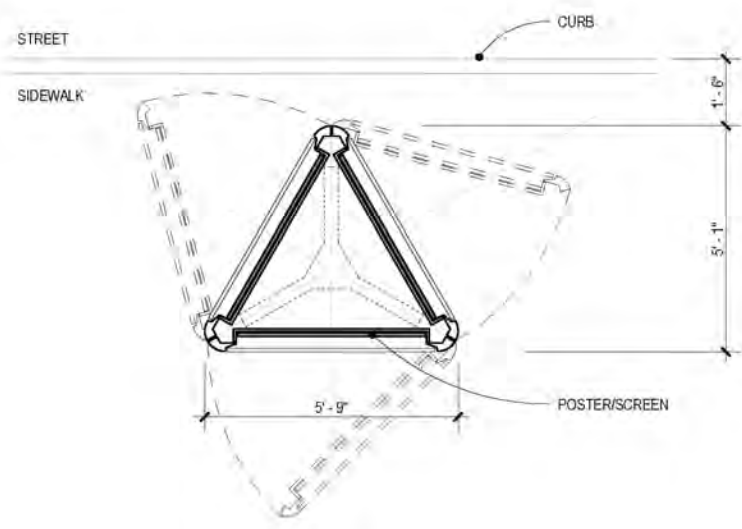
Elevation - Side



Plan



Kiosk Design Details and Dimensions



Small

Market Street

Multi-Function / Retail Kiosk

Interactive / Info Kiosk

3 Sided Panel Kiosk

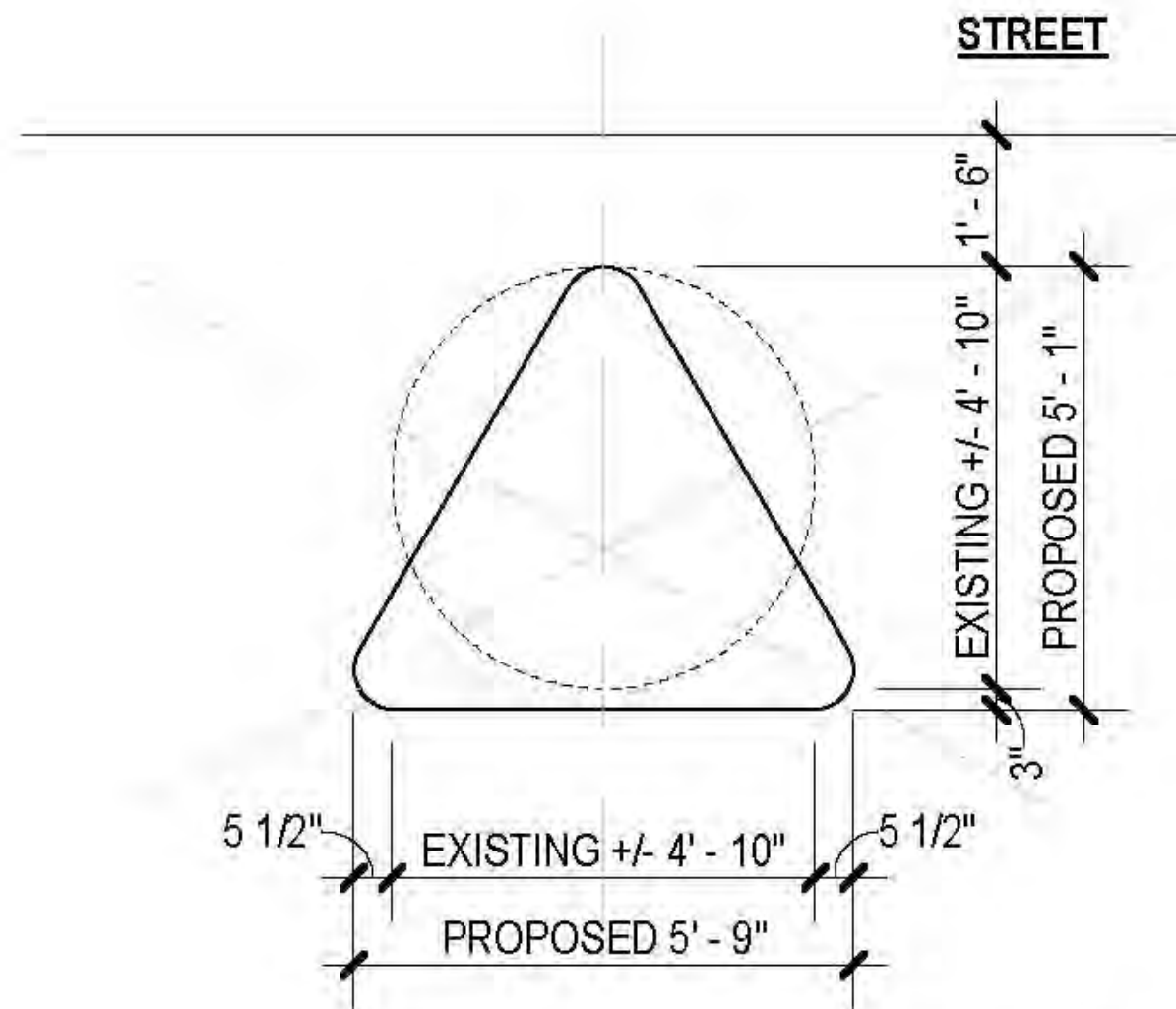
The City panel is a full length poster space for a public service announcement including the Market Street Art Commission poster program.

The service side is a vending area. The service side is divided in 2 sections. Lower section has 2 French doors that swing open underneath an awning. The upper section above the awning is a space reserved for a public service announcements poster or digital clock.

The service side has 2 sections. The lower section underneath a small awning has information/ map and an interactive digital screen. The upper section above the awning is reserved for a public service announcement poster.

The proposed designs need to be fully developed and engineered over the next few months to confirm that all codes are met and for structural and constructability requirements

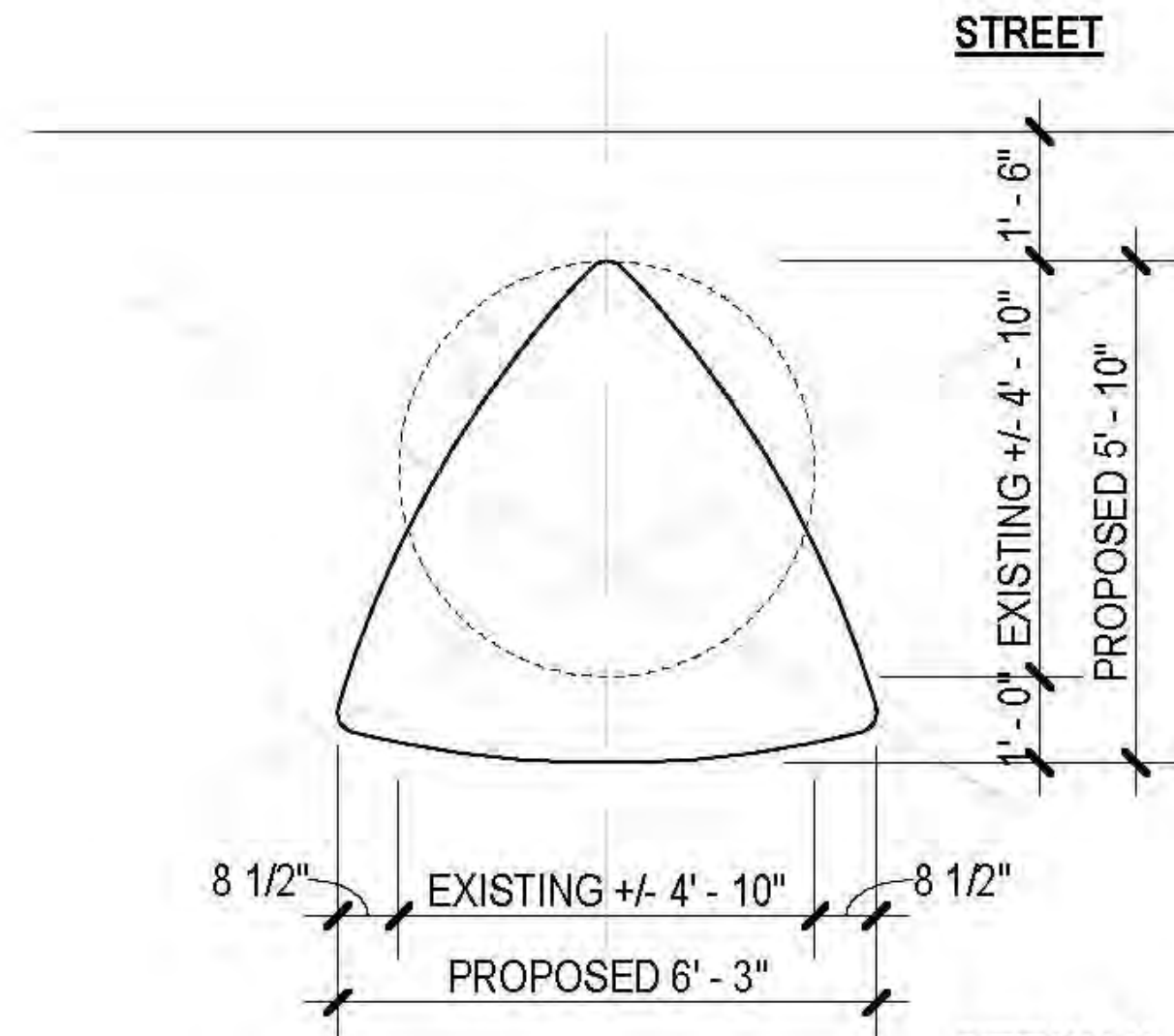
Kiosk Design Dimensions



Small 3 Sided Kiosk

Small 3-sided kiosk requires minimal (3") additional sidewalk encroachment.

Required for narrow sidewalk conditions.



Market Street 3-sided, interactive & Multi-Function

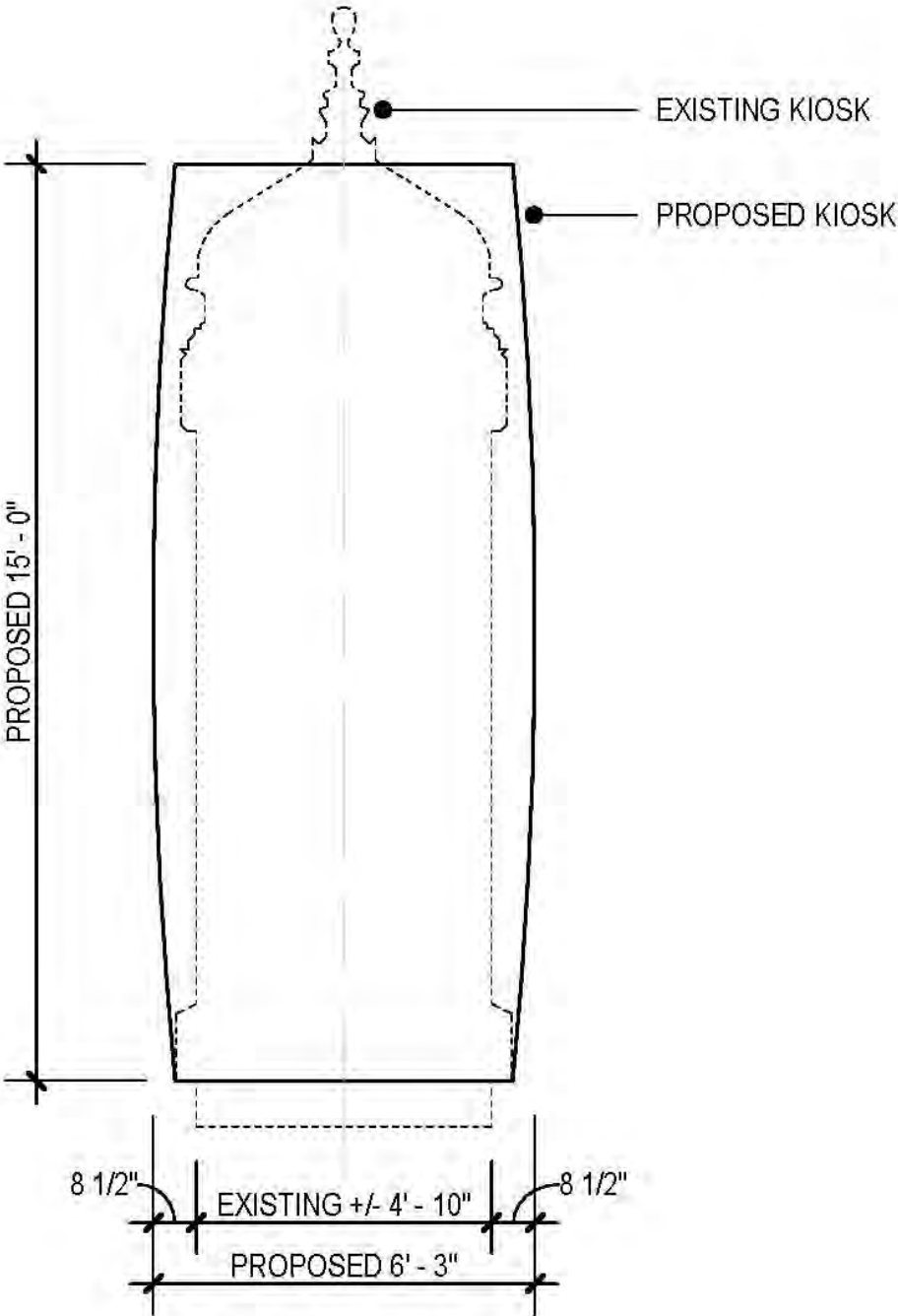
Market St. 3-sided kiosk 'pillows' and 'bows' on all faces. Requires 1'-0" additional sidewalk encroachment.

Feasible on Market St., Embarcadero, Park & Rec locations with no clearance issues.

The proposed designs need to be fully developed and engineered over the next few months to confirm that all codes are met and for structural and constructability requirements

Kiosk Design Dimensions

ELEVATIONS OVERLAY EXISTING & PROPOSED - KIOSK



Types of Kiosks and Programming



Small



Market Street

3 Sided Panel Kiosk

The City panel is a full length poster space for a public service announcement including the Market Street Art Commission poster program.



Multi-Function / Retail Kiosk

The service side is a vending area. The service side is divided in 2 sections. Lower section has 2 French doors that swing open underneath an awning. The upper section above the awning is a space reserved for a public service announcements poster or digital clock.



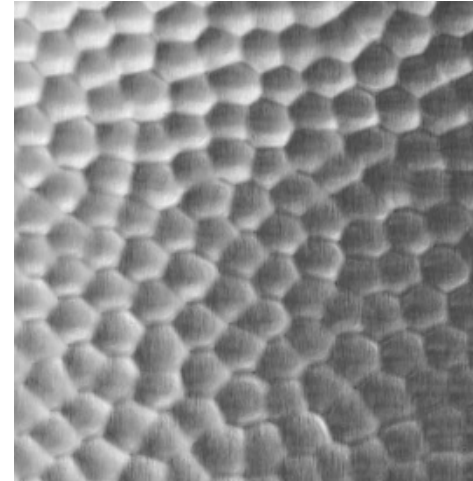
Interactive / Info Kiosk

The service side has 2 sections. The lower section underneath a small awning has information/ map and an interactive digital screen. The upper section above the awning is reserved for a public service announcement poster.

Please note that in every case, existing kiosk will be replaced with the similar one in terms of functionality.

Multi-function kiosks will have the ability to provide a variety of service and retail uses, such as wayfinding assistance, ATMs or vending of coffee, magazines, and/or sundries. Only select locations will have vending doors open where path of travel requirements are met.

Kiosk Materials, Colors and Shaping

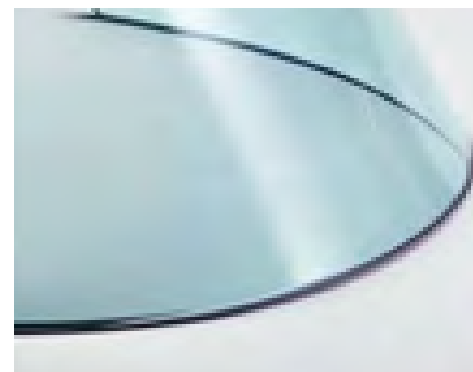


Textured
Stainless
Steel and
matching
fiberglass cap

option 1



option 2
Perforated
Stainless
Steel (at
ventilated
base)



Glazing

Design Approach

Simplicity in its Kit of Parts

The furnishings are designed as a kit of parts for ease in buildability and maintenance. The kiosk's unique sculptural shape displays a sense of complexity, yet, the kit of parts assembly is simple. The exterior shell consists of glazed poster/display space and formed texture Stainless Steel panels for the walls and door. Cap is made of matching fiberglass hiding antennas behind.

Maintainability

State of the Art engineering to deliver ruggedized furniture for everyday useage. They are designed to keep the challenges of structures in an urban context. This includes climate, graffiti, and pedestrian activity.