

Secure Bicycle Parking

San Francisco Land Use &
Transportation Committee

December 5, 2022



Caltrain and Bikes

- **Pre-pandemic**
 - 72 or 80 spaces per train set
 - Average weekday: 6,000+ bikes on board
 - Often at capacity
 - Limited secure bike parking available
- **Current status**
 - Electric trains capped at 72 bike spaces
 - 20% of customers use a bike as part of trip
 - Secure parking option at most stations

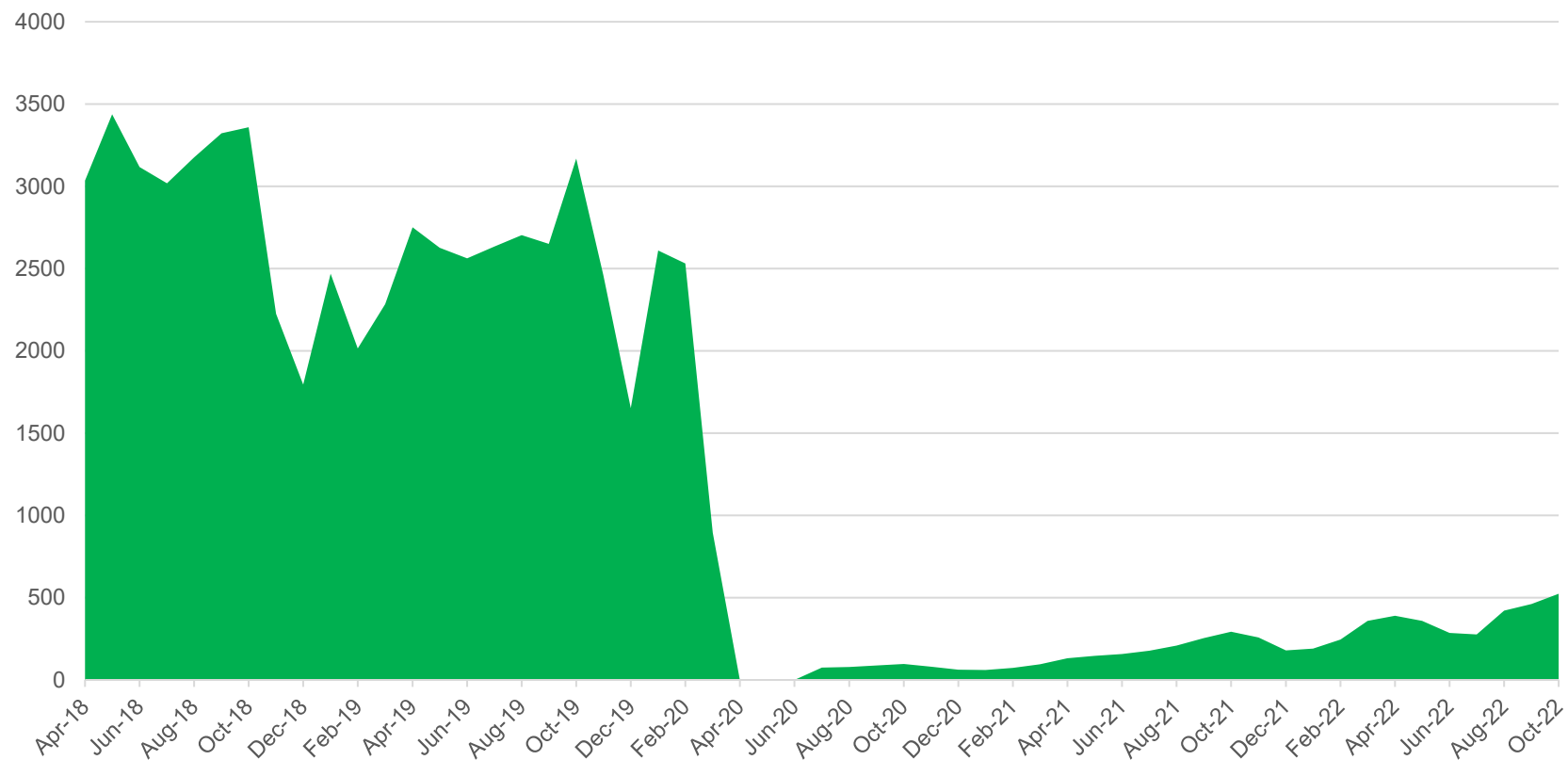


4th & King Station

- Free valet bike parking
 - 230 spaces
 - 7AM-7PM Monday-Friday
 - About 10% occupied
- Bike shop
 - Repairs
 - Parts & accessories
- Removed keyed lockers due to security issues
- Rebalancing and recharging of shared scooters
- Coordinate with Downtown Extension



4th and King Bike Parking by Month



22nd Street Station

- Limited station space
- 20 e-locker spaces on City street
- Enough to meet current demand
- BikeLink cards for sale at nearby cafe



Bayshore Station

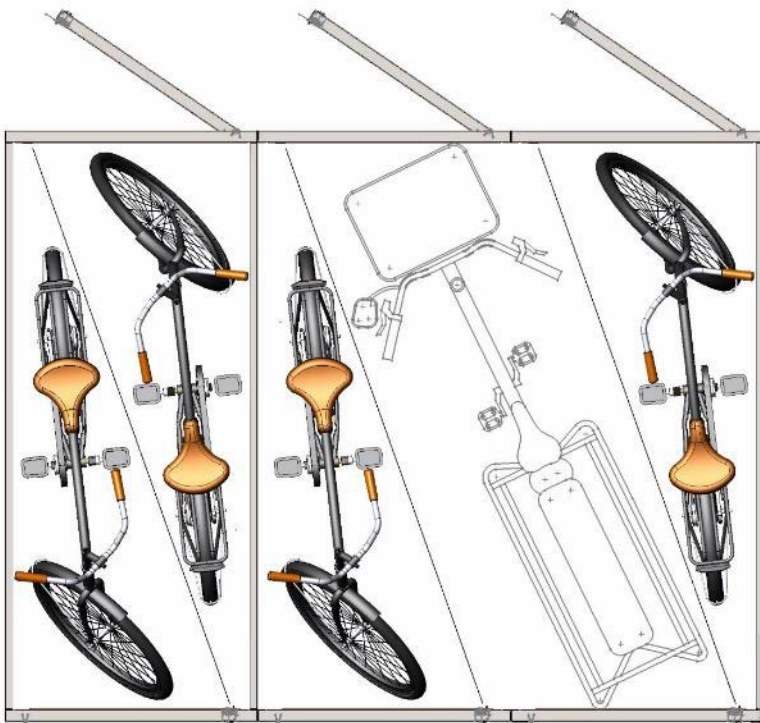
- 4 e-locker spaces
- Room to expand
- Enough to meet current demand



Secure Bike Parking Growth

- Bike Parking Vendor Request for Proposals
 - New contract: Summer 2023
 - Maintain 4th & King bike valet
 - Add 4th & King self serve option with extended hours
 - Options to add bike stations along the corridor
 - Transit and Intercity Rail Capital Program (TIRCP) funds
- More e-lockers as needed
 - Bay Area Air Quality Management District and TIRCP funds

Accommodating Large Bikes



- Included in Request for Proposals
- Exploring options for modifying existing e-lockers
- New e-locker model in early 2023
 - Includes option for cargo bikes
 - Allows for future 2nd level
 - May charge higher price

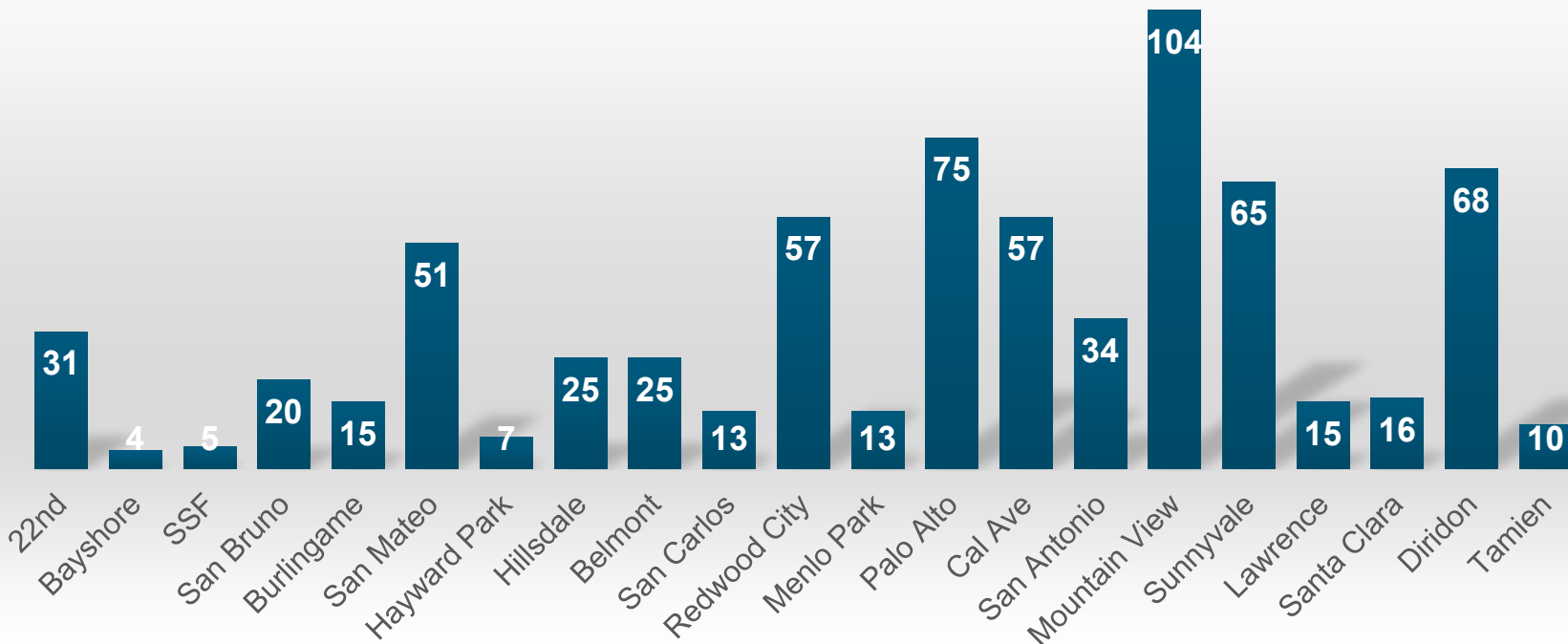
Payment Methods



- 5 cents per hour
- BikeLink prepaid card
- Clipper card linked to BikeLink account
- BikeLink app
 - Allows for quick sign up and use
 - Stickers being installed on e-lockers

E-locker Customers by Station

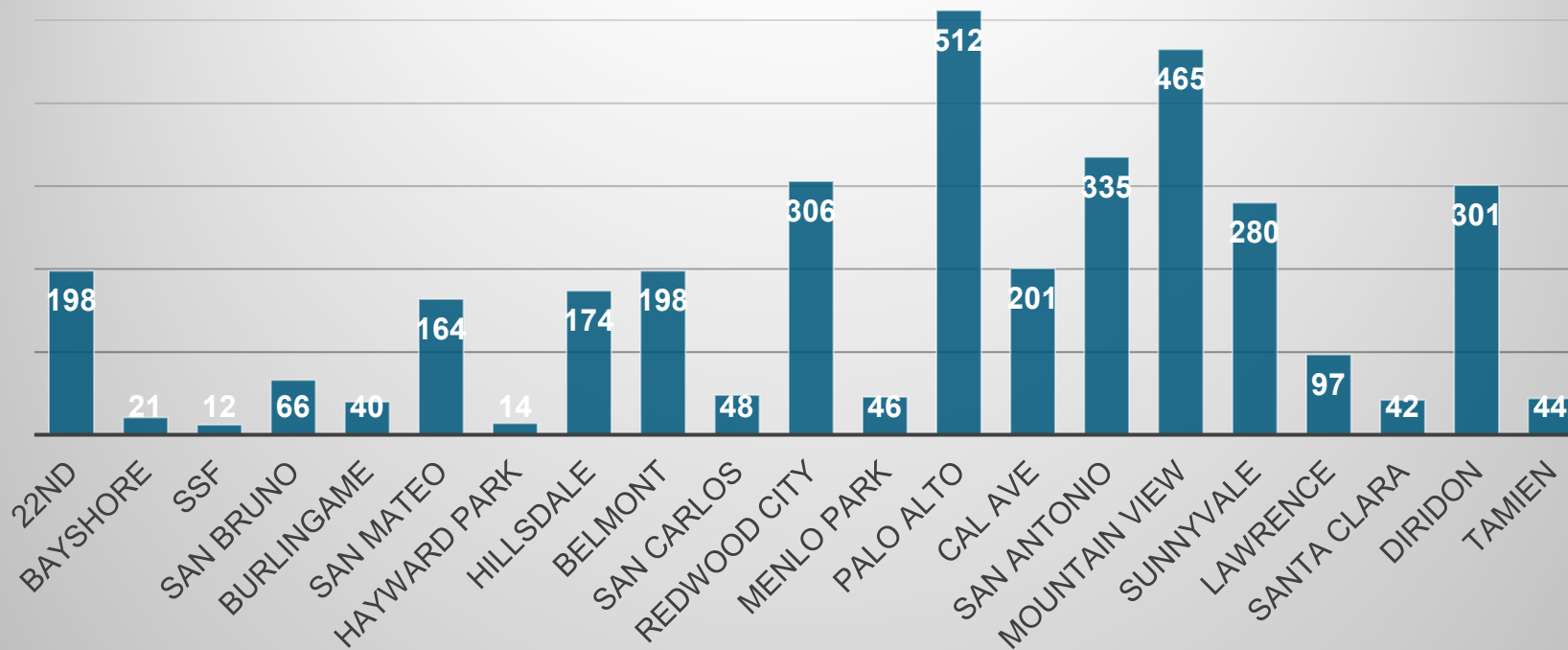
Summer 2022



- Mid-June 2022 – mid-September 2022
- Millbrae data not available
- About 150 of 554 customers used more than 1 station

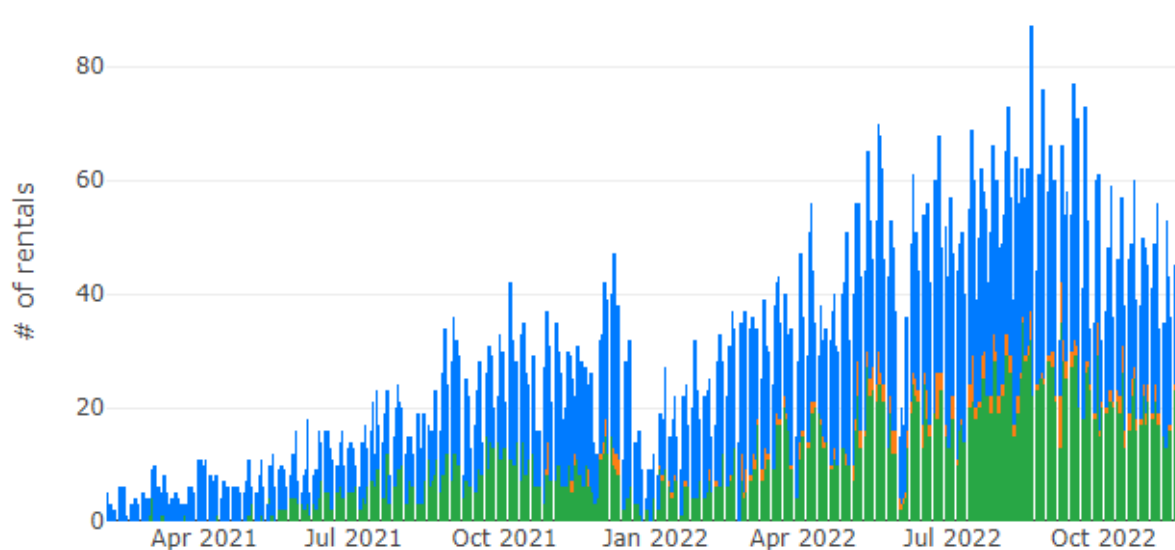
Total E-locker Rentals by Station

Summer 2022



- Mid-June 2022 – mid-September 2022
- Millbrae data not available

Overall E-locker Use



- 16,250 rentals started
- 1,359 unique customers

App Clipper Bike Link Card

Questions

