

COMMUNICATIONS SITE LEASE

between

CITY AND COUNTY OF SAN FRANCISCO,
as Landlord

and

New Cingular Wireless PCS, LLC,
a Delaware limited liability company,
as Tenant

For the lease of

a Site at 375 Laguna Honda Blvd.,
San Francisco, California

July 28, 2021

TABLE OF CONTENTS

	<u>Page</u>
1. BASIC LEASE INFORMATION	1
2. CO-LOCATION OF TELECOMMUNICATIONS FACILITIES	4
2.1 Prohibition on Co-location Without Landlord's Consent	4
2.2 Required Co-location	4
3. PREMISES; AS IS LEASE	5
3.1 Lease Premises; License Area	5
3.2 As Is Lease	6
3.3 Energy Consumption Disclosure	6
4. TERM	6
4.1 Term of Lease	6
4.2 Confirmation of Commencement Date and Expiration Date	7
4.3 Termination of 1996 Lease	7
5. RENT; ADDITIONAL CHARGES	7
5.1 Base Rent	7
5.2 Adjustments in Base Rent	7
5.3 Additional Charges	8
5.4 Late Charges	8
5.5 Default Interest	8
6. USE	8
6.1 Permitted Use	8
6.2 No Illegal Uses, Nuisances, or Advertising	8
7. INSTALLATION OF TENANT IMPROVEMENTS	9
7.1 Tenant Improvement Work	9
7.2 Working Requirements	9
7.3 Air-Conditioning and Fire Suppression	9
8. ALTERATIONS	10
8.1 Tenant's Alterations	10
8.2 Title to and Removal of Tenant's Equipment	11
8.3 Taxes on Tenant's Property	11
8.4 Working Requirements	11
9. CITY'S ALTERATIONS OF THE BUILDING AND BUILDING SYSTEMS	11
10. REPAIRS AND MAINTENANCE	12

10.1	City's Repairs	12
10.2	Tenant's Repairs	12
11.	LIENS	12
12.	UTILITIES AND SERVICES	13
12.1	Utilities and Services	13
12.2	Mandatory or Voluntary Restrictions	14
12.3	Floor Load.....	14
13.	COMPLIANCE WITH LAWS AND RISK MANAGEMENT REQUIREMENTS	15
13.1	Compliance with Laws	15
13.2	Licenses and Approvals	16
13.3	Radiofrequency Radiation and Electromagnetic Fields.....	16
13.4	Compliance with City's Risk Management Requirements	16
14.	SUBORDINATION.....	16
15.	DAMAGE OR DESTRUCTION.....	17
16.	EMINENT DOMAIN	17
16.1	Eminent Domain	17
16.2	Temporary Takings.....	18
17.	ASSIGNMENT AND SUBLETTING	18
17.1	Restriction on Assignment and Subletting.....	18
17.2	Notice of Proposed Transfer	18
17.3	City's Response	18
17.4	Effect of Sublease or Assignment.....	19
17.5	Assumption by Transferee	19
17.6	Permitted Assignment.....	19
18.	DEFAULT	20
18.1	Events of Default	20
18.2	Remedies.....	20
19.	TENANT'S INDEMNITY	21
20.	INSURANCE.....	21
20.1	Tenant's Insurance.....	21
20.2	Tenant's Property	22
20.3	City's Self Insurance.....	22
20.4	Waiver of Subrogation Rights.	22

21.	LIMITATION OF CITY'S LIABILITY	23
21.1	Limitation on City's Liability.....	23
21.2	Consequential Damages	23
21.3	No Relocation Assistance	23
22.	ACCESS TO PREMISES	24
22.1	Tenant's Access to the Premises	24
22.2	City's Access to the Premises.....	24
22.3	Emergency Access	25
22.4	No Liability.....	25
22.5	No Abatement	25
22.6	Minimize Disruption.....	25
23.	ESTOPPEL CERTIFICATES	25
24.	RULES AND REGULATIONS	26
25.	SECURITY DEPOSIT.....	26
26.	SURRENDER OF PREMISES	26
27.	HAZARDOUS MATERIALS	27
27.1	Definitions.....	27
27.2	Hazardous Materials in Premises.....	27
27.3	Tenant's Environmental Indemnity.....	28
28.	SPECIAL PROVISIONS	28
28.1	Extension Option	28
28.2	Tenant's Right to Terminate.....	29
28.3	City's Right to Terminate Due to Finding by Board of Supervisors.....	29
28.4	City's Protection Against Interference.....	29
28.5	Tenant's Protection Against Interference	29
29.	GENERAL PROVISIONS	31
29.1	Notices	31
29.2	No Implied Waiver	31
29.3	Amendments	31
29.4	Authority	31
29.5	Interpretation of Lease	31
29.6	Successors and Assigns.....	32
29.7	Brokers	32
29.8	Severability	32

29.9	Governing Law	32
29.10	Entire Agreement	32
29.11	Attorneys' Fee	33
29.12	Holding Over	33
29.13	Time of Essence	33
29.14	Cumulative Remedies	33
29.15	Survival of Indemnities	33
29.16	Signs.....	34
29.17	Light and Air.....	34
29.18	Recording.....	34
29.19	Taxes, Assessments, Licenses, Permit Fees and Liens	34
29.20	Non-Liability of City Officials, Employees and Agents	34
29.21	Prevailing Wages and Local Hiring Requirements.....	34
29.22	Non-Discrimination in City Contracts and Benefits Ordinance.	35
29.23	Requiring Health Benefits for Covered Employees.....	37
29.24	MacBride Principles - Northern Ireland	38
29.25	Drug-Free Workplace	38
29.26	Tropical Hardwood and Virgin Redwood Ban	38
29.27	Restrictions on the Use of Pesticides	38
29.28	Prohibition of Tobacco Sales and Advertising	39
29.29	Prohibition of Alcoholic Beverage Advertising	39
29.30	Preservative-Treated Wood Containing Arsenic	39
29.31	Conflicts of Interest.....	39
29.32	Notification of Limitations on Contributions	39
29.33	Sunshine Ordinance	40
29.34	Food Service and Packaging Waste Reduction	40
29.35	Compliance with San Francisco Business and Tax Regulations Code.....	40
29.36	Counterparts	41
29.37	Effective Date	41
29.38	Cooperative Drafting	41

LIST OF EXHIBITS

- EXHIBIT A – Description and Depiction of Premises
- EXHIBIT B – Count of Existing and Proposed Tenant Equipment
- EXHIBIT B-1 Description of Tenant’s Equipment as of Commencement Date
- EXHIBIT B-2 Description of Tenant’s Equipment After All Tenant Improvement Work
- EXHIBIT C – Approved Plans/100% Construction Drawings and Depiction of Tenant’s Equipment After Tenant Improvement Work
- EXHIBIT D – Conditional Use Permit & Job Card
- EXHIBIT E – Access Requirements

COMMUNICATIONS SITE LEASE

THIS COMMUNICATIONS SITE LEASE (this "**Lease**") dated for reference purposes only as of July 27, 2021, is made between the CITY AND COUNTY OF SAN FRANCISCO, a municipal corporation ("**City**" or "**Landlord**"), and NEW CINGULAR WIRELESS PCS, LLC, a Delaware limited liability company ("**Tenant**").

City and Tenant hereby covenant and agree as follows:

1. BASIC LEASE INFORMATION

The following is a summary of basic lease information (the "**Basic Lease Information**"). Each item below shall be deemed to incorporate all of the terms set forth in this Lease pertaining to such item. In the event of any conflict between the information in this Section and any more specific provision of this Lease, the more specific provision shall control.

Lease Reference Date:	July 28, 2021
Landlord:	CITY AND COUNTY OF SAN FRANCISCO
Tenant:	NEW CINGULAR WIRELESS PCS, LLC, a Delaware limited liability company
Building (<u>Section 3.1</u>):	Building located on the property commonly known as the Laguna Honda Hospital and Rehabilitation Center Complex (the " Complex ") at 375 Laguna Honda Blvd., San Francisco, California, and also known as APN 2842-007 and commonly referred to as the Ward Buildings C & D (collectively, the " Building ").
Premises (<u>Section 3.1</u>):	The " Premises " shall be defined as the portions of the Building described and depicted on <u>Exhibit A</u> and consisting of (1) approximately three hundred (300) square feet of space in the lower floor of Ward Building "C" in which Tenant's communications equipment is installed (the " Equipment Room "), (2) Antenna Sector C, comprised of certain space on the roof and penthouse between Ward Building "C" and Ward Building "D" upon which four cellular telephone antennas are mounted on the wall of the penthouse building as described and depicted in <u>Exhibits A, B and C</u> , and (3) Antenna Sectors A and B, comprised of certain space on the roof and penthouse of Ward Building "D" upon which eight cellular telephone antennas are mounted on the wall of the penthouse building as described and depicted in <u>Exhibits A, B and C</u> (the areas described in subparts (2) and (3) above are collectively referred to as the " Antenna Area ").

In connection with this Lease and during the term of the Lease, Tenant shall have a non-exclusive license for the placement and use of cables, conduits, wires, cables, cable trays and other connecting hardware reasonably necessary to connect Tenant's Equipment (as defined below) together and to a power source

(collectively, "**Connecting Equipment**") in the portions of the Building (the "**License Area**") and between Equipment Room and the Antenna Area, and between the Equipment Room and City's utility connection locations, including its main point of entry, in and upon the Building. The Building is under the jurisdiction of the City's Department of Public Health.

Term (Section 4.1): Ten (10) years, commencing on the full execution of this Lease (the "**Commencement Date**") and expiring on the tenth (10th) anniversary of the Commencement Date.

Extension Option (Section 28.1): Two (2) additional terms of five (5) years, exercisable on the terms specified in Section 28.1.

Base Rent (Section 5.1): Initial Annual Base Rent: \$120,000
Initial monthly payments: \$10,000

Adjustment Dates (Section 5.2): Annually on January 1 of each year, beginning January 1, 2022, three percent (3%) adjustment per year

Use (Section 6.1): Tenant shall use the Premises for the installation, construction, maintenance, operation, and repair of the Tenant's Equipment (as defined below) as an unmanned telecommunication facility for the transmission and reception of radio communication signals on various frequencies as one of Tenant's communications sites (a "**Communications Site**"). Tenant shall not use the Premises for any other purposes without the written consent of Landlord.

Tenant's Equipment (Section 7): As of the Commencement Date, the "**Tenant's Equipment**" means the equipment listed in the Exhibit A, B-1 and B-2, together with related Connecting Equipment in and on the Building and all equipment in the Equipment Room. The equipment in the Equipment Room shall be comprised of equipment and materials typically used to support the equipment in the Antenna Area.

Tenant has the right to install the Tenant's Equipment and the Connecting Equipment in the Premises at its sole cost.

Following the completion of the Tenant Improvement Work (as defined in Section 7.1) as described in the Approved Plans (as defined in Section 7.1 and attached hereto as Exhibit C (100% Construction Drawings), the "**Tenant's Equipment**" will mean the equipment listed in Exhibit B and more particularly described in the attached Exhibit B-2, together with related

Connecting Equipment in and on the Building and all equipment in the Equipment Room. The equipment in the Equipment Room shall be comprised of equipment and materials typically used to support the equipment in the Antenna Area.

Tenant has the right to install and maintain the following items in the License Area at its sole cost: (i) Connecting Equipment; (ii) innerducts for fiber and DC power on rooftop sleepers; (iii) coax located in cable trays; and (iv) FRP screen wall surrounding some portions of the Antenna Area.

Utilities and Services (Section 12.1):

All utilities and services necessary for use of the Premises as a Communications Site shall be provided by Tenant at its sole cost. City has no responsibility for any utilities or services to the Premises, the Building common areas, or the License Area, except to the extent Tenant requires minimal and temporary access to existing Building utilities to install future equipment installations permitted under this Lease.

Tenant has the right to sub-meter power from City's existing power supply in the Building. Each month Tenant sub-meters power from City, Tenant shall pay the sum of Six Hundred Dollars (\$600.00) to the City as Additional Charges (Section 5.3) subject to adjustment and reconciliation as set forth in Section 12.1.

Security Deposit (Section 25):

\$10,000

Notice Address of Landlord (Section 29.1):

SF Department of Public Health
101 Grove Street, Suite 323
San Francisco, CA 94102
Re: 375 Laguna Honda Blvd.

with a copy to:

City and County of San Francisco
Real Estate Division
25 Van Ness Avenue, Suite 400
San Francisco, CA 94102
Attn: Andrico Penick, Director of Property
Re: 375 Laguna Honda Blvd. –
Telecommunications Lease

and to:

Office of the City Attorney
City and County of San Francisco
City Hall, Room 234
1 Dr. Carlton B. Goodlett Place
San Francisco, CA 94102

Attn: Special Projects Team
Re: 375 Laguna Honda Blvd.

Key Contact for Landlord: **Diana Kenyon, Director of Facilities, San Francisco Department of Public Health**

Telephone No.: **(415) 759-2369**

Notice Address for Tenant
(Section 29.1):
New Cingular Wireless PCS, LLC
Attn: Tower Asset Group – Lease Administration
Re: Cell Site No.: CCL00432
Search Ring Name: Laguna Honda Hospital
Cell Site Name: Laguna Honda (CA)
Fixed Asset No.: 10088011
1025 Lenox Park Blvd. NE, 3rd Floor
Atlanta, GA 30319

With a mandatory copy to:
New Cingular Wireless PCS, LLC
Attn: Legal Dept. — Network Ops
Re: Cell Site No.: CCL00432
Search Ring Name: Laguna Honda Hospital
Cell Site Name: Laguna Honda (CA)
Fixed Asset No.: 10088011
208 S. Akard Street
Dallas, TX 75202-4206

Key Contact for Tenant: Melissa Murphree

Telephone No.: 925-963-8027

Other Noteworthy Provisions: Tenant has the right to terminate this Lease if it loses its permits to operate a Communications Site at the Premises in spite of its reasonable efforts to maintain such permits (Section 28.2).

2. CO-LOCATION OF TELECOMMUNICATIONS FACILITIES

2.1 Prohibition on Co-location Without Landlord's Consent

Co-location of facilities is prohibited except with the express written approval of Landlord. A "co-located telecommunication facility" means a telecommunication facility comprised of one or more antennas, dishes, or similar devices owned or used by more than one public or private entity that does not control, or is not controlled by or under common control with, Tenant. The meaning of "control" in the foregoing sentence shall be as set forth in Section 17.6.

2.2 Required Co-location

Notwithstanding the foregoing, Tenant acknowledges that Landlord may require Tenant to co-locate its facilities on the Premises with other facilities or providers or require Tenant to permit other facilities or providers to co-locate on Tenant's facilities.

Tenant shall cooperate and use commercially reasonable efforts to facilitate co-location of future telecommunications facilities upon the Premises; provided, however, that Tenant shall not be under any such obligation if a proposed co-location causes interference with Tenant's existing use of the Premises. If no such interference would occur upon installation of a co-locator's equipment as reasonably determined by Landlord, then the proposed co-locator in each instance shall, as a condition precedent to any proposed co-location: (i) execute and deliver a co-location agreement prepared in commercially reasonable form by the proposed co-locator; (ii) pay all costs arising from or related to the co-location, including but not limited to any and all costs incurred by Tenant to accommodate such co-location; and (iii) reimburse Tenant a commercially reasonable percentage of costs and expenses (including capital expenditures) incurred by Tenant in connection with the development, use, or occupancy of the Premises prior to the co-location.

3. PREMISES; AS IS LEASE

3.1 Lease Premises; License Area

Subject to the terms, covenants and conditions set forth in this Lease, City leases to Tenant and Tenant leases from City those premises specified in the Basic Lease Information and shown on the plans attached hereto as Exhibit A (the "**Premises**"). Tenant shall have access to the Premises and portions of the common areas of the Building as provided in Section 22.1 (Tenant's Access to Premises).

In connection with its use of the Premises as a Communications Site and for the Term of this Lease, City grants Tenant a nonexclusive license (which license shall not be revoked by City except upon the expiration or earlier termination of this Lease) to place, install, use, maintain, repair, replace, and remove the Connecting Equipment in the License Area. City, in its reasonable discretion, may relocate the License Area, at its sole cost, with reasonable notice to Tenant, and subject to all necessary and required regulatory or other permits and approvals. Except as otherwise expressly permitted in this Lease, all Connecting Equipment shall pass through existing openings in the Building's walls, floors, ceilings, and roof unless Tenant reasonably determines that such existing openings are not usable. In such event, Tenant shall obtain Landlord's prior written consent to make any new penetrations through the Building walls, floors, ceilings, and roof for any Connecting Equipment, which consent will not be unreasonably withheld, conditioned or delayed.

To request Landlord's consent to new penetrations, Tenant shall deliver such request to Landlord in writing, together with any information reasonably requested by Landlord to analyze whether such proposed penetrations would negatively impact the Building's safety or structural integrity (a "**Request Notice**"). Such Landlord-requested information may include an analysis of the impact of the proposed penetrations, prepared by a California-licensed structural engineer with reasonable experience in analyzing such issues. If the cost of making any such new penetrations is more than Five Thousand Dollars (\$5,000), Tenant shall pay Landlord the administrative fee described in Section 8.1. If the cost of making any such new penetrations is Five Thousand Dollars (\$5,000) or less, at Landlord's election, Tenant shall pay Landlord a reasonable administrative review fee before Landlord is required to review such new penetration request. Such administrative review fee shall be based on Landlord's estimated costs in reviewing the proposed penetrations. Landlord shall notify Tenant in writing if Landlord will charge such an administrative review fee and the amount of such fee within thirty (30) days' of receiving Tenant's Request Notice. Tenant shall have the right to withdraw its Request Notice at any time; provided, however, that if Tenant withdraws such Request Notice after delivering the administrative review fee or a Section 8.1 administrative fee, Landlord shall have no obligation to reimburse such fee to Tenant.

3.2 As Is Lease

TENANT ACKNOWLEDGES THAT TENANT HAS OCCUPIED AND OPERATED THE PROPERTY FOR OVER TWENTY-THREE YEARS UNDER THE 1997 LEASE (DEFINED IN SECTION 4.3 BELOW) AND ITS OCCUPANCY HAS BEEN UNINTERRUPTED AND IS CONTINUING. ACCORDINGLY, TENANT EXPRESSLY ACKNOWLEDGES AND AGREES THAT THE PREMISES ARE BEING LEASED AND ACCEPTED IN THEIR "AS IS, WITH ALL FAULTS" CONDITION, WITHOUT REPRESENTATION OR WARRANTY OF ANY KIND, AND SUBJECT TO ALL APPLICABLE LAWS, RULES AND ORDINANCES, INCLUDING, WITHOUT LIMITATION, ZONING ORDINANCES AND REGULATIONS GOVERNING THE USE, OCCUPANCY OR POSSESSION OF THE PREMISES OR LICENSED AREAS. TENANT REPRESENTS AND WARRANTS TO LANDLORD THAT TENANT HAS CONDUCTED A REASONABLY DILIGENT INVESTIGATION, EITHER INDEPENDENTLY OR THROUGH AGENTS OF TENANT'S CHOOSING, OF THE CONDITION OF THE PREMISES AND OF THE SUITABILITY OF THE PREMISES FOR TENANT'S INTENDED USE, AND TENANT IS RELYING SOLELY ON ITS INDEPENDENT INVESTIGATION. TENANT FURTHER REPRESENTS AND WARRANTS THAT ITS INTENDED USE OF THE PREMISES IS THE USE DESCRIBED IN THE BASIC LEASE INFORMATION. TENANT AGREES THAT NEITHER CITY NOR ANY OF ITS AGENTS HAVE MADE, AND CITY DISCLAIMS, ANY REPRESENTATIONS OR WARRANTIES, EXPRESS OR IMPLIED, WITH RESPECT TO THE PHYSICAL, STRUCTURAL OR ENVIRONMENTAL CONDITION OF THE PREMISES OR THE PRESENT OR FUTURE SUITABILITY OF THE PREMISES OR LICENSED AREAS FOR THE CONDUCT OF TENANT'S BUSINESS, OR ANY OTHER MATTER WHATSOEVER RELATING TO THE PREMISES, INCLUDING, WITHOUT LIMITATION, ANY IMPLIED WARRANTIES OF MERCHANTABILITY OR FITNESS FOR A PARTICULAR PURPOSE.

For purposes of California Civil Code Section 1938, to the extent applicable to this Lease, neither the Premises nor the License Area have been inspected by a certified access specialist ("**CASp**"). A CASp can inspect the Premises and determine if they comply with all the applicable construction-related accessibility standards under state law. Although state law does not require a CASp inspection of the Premises, City may not prohibit Tenant from obtaining a CASp inspection of the Premises for the occupancy or potential occupancy of Tenant if requested by Tenant. City and Tenant shall mutually agree on the arrangements for the time and manner of such CASp inspection, the payment of the CASp inspection fee, and the cost of making any repairs necessary to correct violations of construction-related accessibility standards within the Premises

3.3 Energy Consumption Disclosure

Tenant consents to utility service providers disclosing energy use data for the Premises to City for use under California Public Resources Code Section 25402.10, as implemented under California Code of Regulations Sections 1680–1685, and San Francisco Environment Code Chapter 20, as each may be amended from time to time ("**Energy Consumption Reporting Laws**"), and for such data to be publicly disclosed under the Energy Consumption Reporting Laws.

4. TERM

4.1 Term of Lease

The Premises are leased for a term (the "**Term**") of ten (10) years, commencing and terminating as set forth below. The Term of this Lease shall end on the Expiration Date specified in the Basic Lease Information, or such earlier date on which this Lease terminates pursuant to the terms hereof. No delay in the commencement of this Lease beyond the Estimated

Commencement Date specified in the Basic Lease Information shall serve to extend the Initial Term beyond the Expiration Date. Tenant shall have the right to extend the Term for two (2) additional terms of five (5) years each on the terms provided in Section 28.1(a) (Options to Extend Term). As used below, the "**Term**" shall include the initial term of ten (10) years, and any of the Extended Terms if Tenant duly exercises its Extension Options with respect to such Extended Terms pursuant to Section 28.1 of this Lease.

4.2 Confirmation of Commencement Date and Expiration Date

The Term of this Lease shall commence on the date (the "**Commencement Date**") this Lease is fully executed by the parties (which execution by City shall require the approval of a resolution as set forth in Section 23.30 of San Francisco Administrative Code). The Term shall terminate on the Expiration Date unless earlier terminated pursuant to the terms hereof or extended as provided in Section 28.1(a).

4.3 Termination of 1997 Lease

Immediately prior to the Commencement Date, Tenant leased the Premises from City pursuant to a certain Cell Site Lease dated as of February 3, 1997, between Bay Area Cellular Telephone Company, a California general partnership ("**BACTC**"), Tenant's predecessor-in-interest, and City (the "**1997 Lease**"). Tenant succeeded to all of the right, title and interest of BACTC in and to the 1997 Lease by merger. The term of the 1997 Lease expired on March 30, 2017, and Tenant continued to occupy the Premises pursuant to the 1997 Lease with City's consent on a month to month holdover basis pursuant to Section 28.12 of the 1997 Lease. Tenant represents that all equipment and property at the Premises described in the 1997 Lease immediately prior to the Commencement Date is owned by Tenant, and acknowledges that the security deposit described in the 1997 Lease was never delivered to City.

Tenant and City agree that the 1997 Lease, and Tenant's lease of the Premises under the 1997 Lease, shall automatically terminate as of 12:01 a.m. of the Commencement Date; provided, however, that Tenant will not be relieved on any of its obligations under the 1997 Lease accruing before that termination of the 1997 Lease, and Tenant's indemnification obligations under the 1997 Lease will survive the termination of the 1997 Lease with regard to events occurring before the termination and are expressly incorporated into this Lease.

5. RENT; ADDITIONAL CHARGES

5.1 Base Rent

Beginning on the Commencement Date, Tenant shall pay to City during the Term the annual Base Rent specified in the Basic Lease Information as the same may be increased pursuant to Section 5.2 (Adjustments in Base Rent) (the "**Base Rent**"). The Base Rent shall be payable in equal consecutive monthly payments on or before the first day of each month, in advance, by good check to the City and County of San Francisco at the address for the Director of Property specified in the Basic Lease Information, or such other place as City may designate in writing upon thirty (30) days advance notice. Tenant shall pay the Base Rent without any prior demand and without any deduction or setoff. If the Commencement Date occurs on a day other than the first day of a calendar month, or the Expiration Date occurs on a day other than the last day of a calendar month, then the Base Rent for such fractional month shall be prorated based on a thirty (30)-day month.

5.2 Adjustments in Base Rent

On each date specified in the Basic Lease Information for the adjustment of Base Rent (an "**Adjustment Date**") during the Term, the Base Rent payable by Tenant under Section 5.1 (Base Rent) above shall be increased by an amount equal to Three Percent (3%) over the Base Rent paid immediately prior to the applicable Adjustment Date.

5.3 Additional Charges

Tenant shall promptly pay to City any and all Utility Charges under Section 12.1 (Utilities and Services), and other amounts, if any, required under any other provision of this Lease, as additional rent (herein called "**Additional Charges**"). Such Additional Charges shall be payable to City at the same place and in the same manner as the Base Rent is payable. City shall have the same remedies for a default in the payment of any Additional Charges as for a default in the payment of Base Rent. As used in this Lease, the term "**Rent**" shall include the Base Rent and any Additional Charges.

5.4 Late Charges

If Tenant fails to pay any Rent within ten (10) days after Tenant's receipt of written notice that the same is due and payable, such unpaid amounts will be subject to a late payment charge equal to six percent (6%) of the unpaid amounts in each instance. The late payment charge has been agreed upon by City and Tenant, after negotiation, as a reasonable estimate of the additional administrative costs and detriment that will be incurred by City as a result of any such failure by Tenant, the actual costs thereof being extremely difficult if not impossible to determine. The late payment charge constitutes liquidated damages to compensate City for its damages resulting from such failure to pay and shall be paid to City together with such unpaid amounts.

5.5 Default Interest

Any Rent, if not paid within ten (10) days following the due date, shall bear interest from the due date until paid at the rate of six percent (6%) per year or, if a higher rate is legally permissible, at the highest rate an individual is permitted to charge under law. However, interest shall not be payable on late charges incurred by Tenant nor on any amounts on which late charges are paid by Tenant to the extent this interest would cause the total interest to be in excess of that which an individual is lawfully permitted to charge. Payment of interest and late charges shall not excuse or cure any default by Tenant.

6. USE

6.1 Permitted Use

Tenant shall use the Premises during the Term of this Lease solely for such uses as are specified in the Basic Lease Information and for no other use. Tenant acknowledges that this prohibition on the change in use is expressly authorized by California Civil Code Section 1997.230 and is fully enforceable. Tenant shall not interfere with the use and operation of the Building as a hospital.

6.2 No Illegal Uses, Nuisances, or Advertising

Without limiting the foregoing, Tenant shall not use or occupy any of the Premises, or permit the use or occupancy thereof, in any unlawful manner or for any illegal purpose, or permit to be carried on any offensive, immoral, noisy, or hazardous use. Tenant shall take all precautions to eliminate any nuisances or hazards in connection with its activities within the Premises. Tenant shall not advertise in any manner in areas outside the Premises or on or about the Building; provided, however that Tenant may (i) place one identification plate on each antenna, and base station equipment component that comprises the Tenant's Equipment, which plate shall be no larger than two (2) inches by two (2) inches and shall be reasonably approved in advance by City, in order to identify the Tenant's Equipment as belonging to Tenant, and (ii) install all signage required by federal, state and local laws, rules and regulations, codes and ordinances.

7. INSTALLATION OF TENANT IMPROVEMENTS

7.1 Tenant Improvement Work

As of the Commencement Date, the Tenant's Equipment in the Antenna Area is as listed in Exhibits A, B and B-1. City, in its proprietary interest as owner of the Premises, approves of Tenant's proposed modification to the Tenant's Equipment after the Commencement Date as listed in Exhibits B and B-2 and the construction drawings prepared by Intelocity dated as of May 5, 2020, and attached as Exhibit C (the "**Approved Plans**"). The work described in the Approved Plans is called the "**Tenant Improvement Work**" or "**Tenant Improvements**". Tenant represents it has received a conditional use permit from City's Planning Department that allows for the Tenant Improvement Work (the "**CUP**"). If Tenant commences the Tenant Improvement Work, then within three (3) business days of completing the Tenant Improvement Work, Tenant shall notify City in writing of Tenant's completion of the Tenant Improvement Work and confirm that the Tenant's Equipment in the Antenna Area on the date of such notice is as set forth and described in Exhibits B and B-2 and in the Approved Plans.

Except for the Tenant Improvement Work, Tenant shall not alter, replace, modify, or add to any of Tenant's Equipment without City's prior written consent; provided, however, that Tenant may perform maintenance, repairs, like-for-like exchanges or similar replacements of Tenant's Equipment and may make modifications within the interior of any of Tenant's Equipment without prior approval of City so long as the like-for-like exchanges or similar replacements of Tenant's Equipment are substantially similar in size and weight to the previous item of Tenant's Equipment, do not pose any greater danger to the Building than the Tenant's Equipment to be so exchanged or replaced, will comply with Section 12.3 (Floor Load), and Tenant obtains all regulatory approvals required for such exchanges, replacements, or modifications. If Tenant wishes to make any exchange or replacement of Tenant's Equipment within the Premises that requires City's prior written consent, City will not unreasonably withhold, condition or delay its approval. Tenant acknowledges that City, in its capacity as a landlord, shall have the sole discretion in deciding whether to approve any proposed addition to the Tenant's Equipment within the Premises or any proposed exchange or replacement of Tenant's Equipment that would result in any expansion of the Premises, including the right to condition such approval on an increase in Base Rent.

Tenant shall be responsible, at its cost, for performing the Tenant Improvement Work in accordance with the Approved Plans and otherwise in compliance with the standards contained in Section 8.1 (Tenant's Alterations). Tenant shall further be responsible, at its cost, for obtaining all permits and licenses required in connection with the Tenant Improvements and satisfy any conditions or mitigation measures approved in connection therewith. No Tenant Improvement Work shall commence until Tenant has first obtained all necessary permits and approvals for Tenant to be legally entitled to perform it.

7.2 Working Requirements

Tenant and its subtenants shall comply with the applicable requirements of San Francisco Administrative Code Sections 23.61 and 23.62 in the performance of the Tenant Improvement Work, as further set forth in Section 29.21 (Prevailing Wages and Local Hiring Requirements) below.

7.3 Air-Conditioning and Fire Suppression

Tenant shall have the right (but not the obligation) to install and maintain at its own cost and expense a self-contained air-conditioning system and fire protection system within the Premises, as shown on the Approved Plans. Installation of such systems, which shall not connect to any of the heating, ventilating, air conditioning, plumbing, electrical, fire protection, life safety, security and other mechanical, electrical, and communications systems of the Building

(collectively, "**Building Systems**"), shall be in compliance with Section 7.1 (Tenant Improvement Work) and Section 8.1 (Tenant's Alterations).

8. ALTERATIONS

8.1 Tenant's Alterations

(a) Tenant shall not make or permit any alterations, installations, additions or improvements, structural or otherwise (collectively, "**Alterations**") to the Building or any of the Building Systems, except with City's prior written consent in each instance which may be withheld in City's sole discretion. All Alterations shall be done at Tenant's sole expense in accordance with plans and specifications approved by City, only by duly licensed and bonded contractors or mechanics, and subject to all other conditions which City may reasonably impose. If the cost of any Alterations to the Building (excluding any shown on the Approved Plans) is in excess of Five Thousand Dollars (\$5,000), then Tenant shall pay City an administrative fee equal to ten percent (10%) of the total "hard" costs of the work. "Hard costs" shall include the cost of materials and installation, but shall exclude any costs associated with design, such as architectural fees

(b) Without limiting Section 27.2 (Hazardous Materials in Premises) below, if asbestos-containing materials ("**ACM**") are determined to exist in or about the Premises, Tenant shall ensure that all Tenant Improvement Work, Alterations and any asbestos related work, as defined in California Health & Safety Code Section 25914.1(b), is performed in compliance with all laws relating to asbestos, including but not limited to California Occupational Safety and Health (OSHA) regulations found in Title 8 of the California Code of Regulations, Sections 1502 and 1529. Additionally, Tenant shall distribute notifications to all employees and contractors as required pursuant to California Health & Safety Code Section 25915 *et seq.* informing them of the existence of ACM and that moving, drilling, boring, or otherwise disturbing ACM may present a health risk and should not be attempted by an unqualified employee. No Alterations affecting ACM-containing areas or any asbestos related work shall be performed without City's prior written consent in each instance.

(c) Tenant, on behalf of itself and its Agents or Invitees, shall comply with all requirements of the San Francisco Building Code, Section 3407, and all other applicable present or future federal, state, local and administrative laws, rules, regulations, orders and other governmental requirements, the requirements of any board of fire underwriters or other similar body, any directive or occupancy certificate issued pursuant to any law by any public officer or officers acting in their regulatory capacity, including, without limitation, the California and United States Occupational Health and Safety Acts and their implementing regulations, when the work of improvement or alteration disturbs or removes exterior lead-based or "presumed" lead-based paint (as defined below). Tenant and its Agents or Invitees shall give to City three (3) business days' prior written notice of any disturbance or removal of exterior lead-based or presumed lead-based paint. Further, Tenant and its Agents or Invitees, when disturbing or removing exterior lead-based or presumed lead-based paint, shall not use or cause to be used any of the following methods: (a) acetylene or propane burning and torching; (b) scraping, sanding or grinding without containment barriers or a High Efficiency Particulate Air filter ("**HEPA**") local vacuum exhaust tool; (c) hydroblasting or high-pressure wash without containment barriers; (d) abrasive blasting or sandblasting without containment barriers or a HEPA vacuum exhaust tool; and (e) heat guns operating above 1,100 degrees Fahrenheit. Paint on the exterior of buildings built before December 31, 1978, is presumed to be lead-based paint unless lead-based paint testing, as defined in Section 3407 of the San Francisco Building Code, demonstrates an absence of lead-based paint on the exterior surfaces of such buildings. Under this Section, lead-based paint is "disturbed or removed" if the work of improvement or alteration involves any action that creates friction, pressure, heat or a chemical reaction upon any lead-based or presumed lead-based paint on an exterior surface so as to abrade, loosen, penetrate, cut through or eliminate paint from that surface. Notice to City under this Lease shall not constitute notice to the City's

Department of Building Inspection required under Section 3407 of the San Francisco Building Code.

8.2 Title to and Removal of Tenant's Equipment

Title to the Tenant's Equipment, Tenant Improvements, all permitted improvements or equipment installed at and affixed to the Premises by Tenant and all of Tenant's personal property (collectively, "**Tenant's Property**") shall remain the property of Tenant; provided, however, that any structural improvements to the Building or any new openings made in the Building pursuant to Section 3.1 that are made by Tenant with City's consent shall become City's property and remain on the Premises. City hereby acknowledges that Tenant may grant to the vendor of the equipment to be installed at and affixed to the Premises a security interest in all equipment and fixtures owned by Tenant now or hereafter located at or on the Premises; provided no such security interest shall cover any portion of the Premises or the Building or City's property in, on or about the Building and further provided that any removal of such equipment or fixtures by the holder of any such security interest must be in compliance with the provisions of Section 26 (Surrender of Premises). Tenant may at any time, including any time it vacates the Premises (excluding the structural improvements referenced above), remove all of Tenant's Property from the Premises, subject to the provisions of Section 26 (Surrender of Premises). Notwithstanding anything to the contrary in this Lease, and subject to Tenant's timely exercise of the Extension Option, City can elect at any time prior to the Expiration Date or within thirty (30) days after termination of this Lease to require Tenant to remove on the Expiration Date or any earlier termination of this Lease in accordance with Section 26 (Surrender of Premises) at Tenant's sole expense, all or part of any structural improvements to the Premises or the common areas of the Building made by City or Tenant, which were made in order to provide sufficient support for Tenant's equipment, and any antenna or tower supports, foundations, or base plates. In the event Tenant has timely exercised the Extension Option, then City's election in the preceding sentence shall apply as of the expiration date of the Extended Term.

8.3 Taxes on Tenant's Property

At least ten (10) days prior to delinquency, Tenant shall pay all taxes levied or assessed upon Tenant's Property and shall deliver reasonably satisfactory evidence of such payment to City promptly upon request.

8.4 Working Requirements

Tenant and its subtenants shall comply with the applicable requirements of San Francisco Administrative Code 23.61 and 23.62 in the performance of the Tenant Improvement Work, as further set forth in Section 29.21 (Prevailing Wages and Working Requirements) below.

9. CITY'S ALTERATIONS OF THE BUILDING AND BUILDING SYSTEMS

City reserves the right at any time to make alterations, additions, repairs, deletions or improvements to all or any part of the Building, the Building Systems or the common areas of the Building, for any purpose including compliance with mandatory or voluntary controls or guidelines, subject to the following terms and conditions. In performing any such work, City shall make good faith efforts to give Tenant prior notice of such work and shall make reasonable efforts not to disrupt Tenant's normal use of Tenant's Equipment in the Premises. The making of any such alterations, additions, repairs, deletions or improvements shall in no event entitle Tenant to any damages, relieve Tenant of the obligation to pay the full Base Rent and Additional Charges reserved hereunder or to perform each of its other covenants hereunder or constitute or be construed as a constructive or other eviction of Tenant, provided that Tenant can still operate the Premises as a Communications Site. During the period of any such alterations by City which materially impair Tenant's use of the Premises as a Communications Site, Tenant shall have the right at no additional charge to bring into the Building and operate a portable generator and

mobile Communications Site and telescopic antennae or tower, in a mutually acceptable location and on the other terms and conditions provided with respect to such equipment in Section 15 (Damage or Destruction).

10. REPAIRS AND MAINTENANCE

10.1 City's Repairs

City shall not be responsible for any maintenance of any portion of the Building, except that City agrees (i) to correct any immediately life-threatening or hazardous condition that affects any portion of the Building necessary for Tenant's use of the Premises as a Communications Site, so long as such condition is not the result of damage or destruction discussed in Section 15 (Damage or Destruction), the acts, omissions or negligence of Tenant or its Agents, such repair is not otherwise the responsibility of Tenant under Section 10.2 (Tenant's Repairs), and such condition is not disclosed to Tenant under any provision of this Lease or would not have otherwise been discovered by Tenant through a reasonably diligent inspection of the Premises prior to the reference date hereof, and (ii) to repair any condition caused by City or its tenants of the Building other than Tenant, which condition materially affects any portion of the Building necessary for Tenant's use of the Premises as a Communications Site and is not caused by damage or destruction discussed in Section 15 (Damage or Destruction). Upon becoming aware of any such condition, Tenant shall give the City written notice of the need for any repair for which the City is responsible under the preceding sentence; provided, however, that Tenant's agreement to provide written notice shall in no event be interpreted as an assumption of liability for such life-threatening or hazardous conditions unless Tenant would otherwise be responsible for such conditions hereunder. In the event that the costs of making the corrections or repairs described in subsections (i) or (ii) above exceed Twenty-Five Thousand Dollars (\$25,000.00), City may elect to terminate this Lease within thirty (30) days of the condition requiring correction or repair in lieu of making such corrections or repairs, provided however, that Tenant may elect to pay the portion of such costs in excess of Twenty-Five Thousand Dollars (\$25,000.00) necessary in order to make such correction or repairs, in which case City will proceed with the correction or repair.

10.2 Tenant's Repairs

Tenant shall maintain all parts of its Premises at its sole expense, including without limitation, the floors, electrical wiring, fixtures and equipment, in good repair and working order and in a clean, safe and sanitary condition. Tenant shall repair all damage to the Building to the extent such damage results from any Tenant Alterations, Tenant's use of the Premises, or Tenant's entry on the Building pursuant to this Lease. Tenant shall make all repairs and replacements: (a) at Tenant's expense and at such time and, when required hereunder, in such manner as reasonably approved by City, (b) by duly licensed and bonded contractors or mechanics, (c) in a manner and using equipment and materials which will not interfere with or impair City's operations, use or occupation of the Building or the Building Systems, and (d) in accordance with any Building Rules and Regulations (as defined in Section 24 (Rules and Regulations)) and all applicable Laws (as defined in Section 13.1 (Compliance with Laws)).

Tenant hereby waives any right it may have to make repairs at City's expense under Sections 1941 and 1942 of the California Civil Code (Lessor to make dwelling-house fit for its purpose, and Repairs by lessee, respectively) or under any similar law, statute or ordinance now or hereafter in effect.

11. LIENS

Tenant shall keep the Premises and the Building free from any liens arising out of any work performed, material furnished or obligations incurred by or for Tenant. In the event Tenant shall not, within thirty (30) days following the imposition of any such lien, cause the lien to be released of record by payment or posting of a proper bond, City shall have in addition to all other

remedies provided herein and by law or equity the right, but not the obligation, to cause the same to be released by such means as it shall deem proper, including, but not limited to, payment of the claim giving rise to such lien. All such sums paid by City and all expenses incurred by it in connection therewith (including, without limitation, reasonable attorneys' fees) shall be payable to City by Tenant upon demand. City shall have the right at all times to post and keep posted on the Premises any notices permitted or required by law or that City shall deem proper for the protection of City, the Premises, and the Building, from mechanics' and material supplier's liens. Tenant shall give to City at least fifteen (15) days' prior written notice of commencement of any repair or construction on the Premises except for minor and routine repair and maintenance for which Tenant is responsible hereunder. Tenant shall not create, permit or suffer any other encumbrances affecting any portion of the Premises or the Building except as expressly permitted under this Lease or without first obtaining the written consent of City, which City may give or withhold in its sole discretion.

12. UTILITIES AND SERVICES

12.1 Utilities and Services

Tenant shall furnish, at its sole cost, any and all utilities or services, including but not limited to, electric and telephone service and fees, necessary or appropriate for Tenant's Equipment and Tenant's use of the Premises; provided, however, that that Tenant shall only receive electric service from the San Francisco Public Utilities Commission ("**SFPUC**") if the SFPUC determines that such services is feasible and Tenant must obtain the prior written approval of City, acting in its proprietary capacity as the Building owner, to the plans for the installation of a separate meter. Should any governmental entity promulgate or revise any statute, ordinance or building, fire or other code or impose mandatory or voluntary controls or guidelines on City or the Building or any part thereof, relating to the use or conservation of energy or electricity, or in the event City is required or elects to make Alterations to any part of the Building in order to comply with such mandatory or voluntary controls or guidelines, Tenant shall be responsible for the difference in the utility or service charge, if any, due to any such Alterations.

(a) Separately Metered

Tenant shall keep separate utility meters at the Premises and, when permitted by serving utilities, Tenant shall be responsible directly to the serving utilities for all utilities required for Tenant's Equipment and Tenant's use of the Premises. Tenant agrees to promptly pay for all such metered utilities.

(b) Sub-Metered

If Tenant is unable to secure separate utility service for Tenant's Equipment and Tenant's use of the Premises, then Tenant shall have the right to sub-meter and use City's electrical service at the Building, including the right to upgrade such utility service at Tenant's sole cost and in a manner reasonably acceptable to City, as Landlord, provided Tenant has any and all required permits and regulatory approvals. Tenant shall reimburse City the actual cost of utility service used by Tenant. Commencing upon the Commencement Date, and monthly thereafter until the expiration of this Lease or Tenant is able to secure a separate meter, Tenant shall pay to City concurrently with each installment of the Base Rent a total monthly estimated amount of Six Hundred Dollars (\$600) per month ("**Utility Charge**") subject to a three (3%) percent increase annually on the anniversary date of each Adjustment Date. The Utility Charge shall be subject to annual reconciliation every six (6) months (or any shorter or longer period selected by City) based on the actual amount of electricity used by Tenant as charged by PG&E or SFPUC without additional City mark-up or administrative fee. Tenant will remit any underpayment within forty-five (45) days of receipt of the reconciliation and any overpayment will be subtracted from the next payment(s) of Utility Charges until reconciled.

(c) Interruption

City shall exercise best efforts to maintain electrical service to the Building at all times, and shall exercise good faith efforts under the circumstances to provide Tenant with notice at least twenty-four (24) hours prior to any planned interruptions, shut-down or disablement via telephone and email as set forth in the Basic Lease Information.

City acknowledges that Tenant provides a communication service which requires electrical power to operate and must operate twenty-four (24) hours per day, seven (7) days per week. If an interruption in electrical power service occurs for more than twenty-four (24) consecutive hours, City agrees to allow Tenant the right to bring into the Building and operate a portable generator and mobile Communications Site and telescopic antennae or tower, in a mutually acceptable location and on the other terms and conditions provided in this Section 12, Section 7 (Installation of Tenant Improvements) and Section 15 (Damage or Destruction).

Tenant shall not: (a) connect or use any electrical equipment that exceeds the capacity of the Building electrical system; or (b) connect any apparatus, machine or device through electrical outlets except in the manner for which such outlets are designed, except for such modifications as may be shown on the Approved Plans and for any other such modifications at Tenant's sole cost as are reasonably approved in writing in advance by City.

12.2 Mandatory or Voluntary Restrictions

In the event City provides any utilities pursuant to Section 12.1 (Utilities and Services), and any governmental entity promulgates or revises any statute, ordinance or building, fire or other code or imposes mandatory or voluntary controls or guidelines on City or the Building or any part thereof, relating to the use or conservation of energy or electricity, or in the event City is required or elects to make alterations to any part of the Building in order to comply with such mandatory or voluntary controls or guidelines, such compliance and the making of such alterations shall in no event entitle Tenant to any damages, relieve Tenant of the obligation to pay the full Base Rent and Additional Charges reserved hereunder or to perform each of its other covenants hereunder or constitute or be construed as a constructive or other eviction of Tenant, provided that Tenant can still operate the Premises as a Communications Site. During the period of any such alterations by City which materially impair Tenant's use of the Premises as a Communications Site, Tenant shall have the right, at no additional charge, to bring into the Building and operate a portable generator and mobile Communications Site and telescopic antennae or tower, in a mutually acceptable location and on the other terms and conditions provided with respect to such equipment in Section 15 (Damage or Destruction).

12.3 Floor Load

Without the prior written consent of City, which City may give or refuse in City's sole discretion, Tenant shall not place or install in the Premises any machine, equipment, structure or other improvement the weight of which shall exceed the normal loadbearing capacity of the floors or roof of the Building, except as may be shown in the Approved Plans. If City consents to the placement or installation of any such machine or equipment in the Premises, Tenant at its sole expense shall reinforce the floor or roof of the Premises in the area of such placement or installation, pursuant to plans and specifications reasonably approved by City and otherwise in compliance with Section 8.1 (Tenant's Alterations), to the extent necessary to assure that no damage to the Premises or the Building or weakening of any structural supports will be occasioned thereby.

13. COMPLIANCE WITH LAWS AND RISK MANAGEMENT REQUIREMENTS

13.1 Compliance with Laws

Tenant, at Tenant's expense, shall promptly maintain the Premises, any Tenant Improvements and Tenant's Alterations, the Tenant's Equipment, and any other improvements and equipment permitted hereunder, and Tenant's use and operations thereon, in strict compliance with all present and future laws, orders and regulations of federal, state, county and municipal authorities (collectively, "**Laws**") relating to the Premises or the use or occupancy thereof, whether foreseen or unforeseen, ordinary as well as extraordinary. Such Laws shall include, without limitation, all Laws relating to health and safety and disabled accessibility including, without limitation, the Americans with Disabilities Act, 42 U.S.C. Section 12101 et seq. (insofar as such Act relates to Tenant's unique use) and Title 24 of the California Code of Regulations, all present and future Environmental Laws (as defined in Section 27.1 (Definitions)), and all present and future life safety, fire sprinkler, seismic retrofit and other building code requirements. Notwithstanding the foregoing, Tenant shall not be responsible for bringing any non-complying conditions in the Premises into compliance with Laws unless such compliance is triggered directly or indirectly as a result of work or installations made by or on behalf of Tenant in the Premises. Tenant further acknowledges City shall have no obligation to bring any non-complying conditions in the Premises or elsewhere in the Building into compliance with Laws; provided, however, that if Tenant is not reasonably able to use the Premises for its permitted uses under this Lease due to non-complying conditions that are not triggered directly or indirectly as a result of work or installations made by or on behalf of Tenant in the Premises, Tenant shall have the right to terminate this Lease by delivering at least thirty (30) days prior written notice of such termination to City. Any work or installations made or performed by or on behalf of Tenant or any person or entity claiming through or under Tenant pursuant to the provisions of this Section shall be made in conformity with and subject to the provisions of Section 10.2 (Tenant's Repairs). In making any application to City's Planning Department for the Communications Site, Tenant agrees to act as both "Applicant" and "Project Sponsor." A summary of the conditional use permit authorizing use of the Premises as a Communications Site is attached hereto as Exhibit D.

The parties acknowledge and agree that Tenant's obligation to comply with all Laws as provided herein is a material part of the bargained-for consideration under this Lease. Tenant's obligation under this Section shall include, without limitation, the responsibility of Tenant to make substantial or structural repairs and alterations to the Premises (including any of the Tenant Improvements or any of Tenant's Alterations), regardless of, among other factors, the relationship of the cost of curative action to the Rent under this Lease, the length of the then remaining Term hereof, the relative benefit of the repairs to Tenant or City, the degree to which the curative action may interfere with Tenant's use or enjoyment of the Premises, the likelihood that the parties contemplated the particular Law involved, and whether the Law involved is related to Tenant's particular use of the Premises; provided, however, that if any future Law requires such substantial or structural repairs and alterations, and such future Law is not triggered by Tenant's particular use of the Premises or any Tenant Improvements or Tenant's Alterations, Tenant shall have the right to terminate this Lease in lieu of performing such substantial or structural repairs and alterations by delivering written notice of such termination to City within the thirty (30) day period immediately following the date that Tenant receives written notice from City of any such non-complying condition arising due to any such future Law. If Tenant timely delivers such a termination notice to City pursuant to the foregoing sentence, this Lease shall terminate as of the thirtieth (30th) day immediately following City's receipt of such termination notice. Except as expressly provided herein, no occurrence or situation arising during the Term, nor any present or future Law, whether foreseen or unforeseen, and however extraordinary, shall relieve Tenant from its obligations hereunder, or shall give Tenant any right to otherwise seek redress against City, and Tenant waives any rights now or hereafter conferred upon it by any existing or future Law to receive any abatement, diminution, reduction or suspension of payment of Rent, or to compel City to make any repairs to comply with any such Laws, on account of any such occurrence or situation.

Tenant understands and agrees that City is entering into this Lease in its capacity as a property owner with a proprietary interest in the Premises and not as a regulatory agency with police powers. Nothing in this Lease shall limit in any way Tenant's obligation to obtain any required regulatory approvals from City departments, boards or commissions having jurisdiction over the Premises. By entering into this Lease, City is in no way modifying or limiting Tenant's obligation to cause the Premises to be used and occupied in accordance with all Laws as provided above.

13.2 Licenses and Approvals

Tenant represents and warrants that it has acquired all licenses, permits, and other approvals required under all federal, state, and local laws for the operation of Tenant's Equipment on the Premises. Tenant shall maintain all such licenses, permits or other approvals throughout the Term of this Lease.

13.3 Radiofrequency Radiation and Electromagnetic Fields

Without limiting Section 13.1 above, Tenant shall comply with all present and future laws, orders and regulations of federal, state, county and municipal authorities relating to allowable presence of or human exposure to Radiofrequency Radiation ("**RFs**") or Electromagnetic Fields ("**EMFs**") on or off the Premises, including without limitation, all applicable standards adopted by the Federal Communications Commission ("**FCC**"), whether such RF or EMF presence or exposure results from Tenant's equipment alone or from the cumulative effect of Tenant's equipment added to all other sources in the Building. City shall not agree to allow any third party entering into an occupancy or use agreement after the Commencement Date to cause an increase in RF or EMF levels in the Building such that the cumulative levels exceed allowable levels. If the cumulative effect of City's use of the Building taken together with Tenant's use hereunder and other tenant(s) whose use predated the Commencement Date exceeds such standards, Tenant shall have the right to terminate this Lease without penalty upon ninety (90) days' prior written notice to City. Without limiting the provisions of Tenant's indemnity contained in Section 19 (Tenant's Indemnity), Tenant, on behalf of itself and its successors and assigns, shall indemnify the "Indemnified Parties," and each of them, from and against all "Claims" incurred in connection with or arising in whole or in part from the presence of or exposure to RFs or EMFs resulting from Tenant's use of the Premises.

13.4 Compliance with City's Risk Management Requirements

Tenant shall not do anything, or permit anything to be done, in or about the Premises which would create any unusual fire risk, and shall take commercially reasonable steps to protect City from any potential premises liability by reason of any business operation being conducted by Tenant in the Premises. Tenant, at Tenant's expense, shall comply with all reasonable rules, orders, regulations or requirements of City's Risk Manager.

14. SUBORDINATION

This Lease shall be subordinate to any reciprocal easement agreements, ground leases or underlying leases and the lien of any mortgage or deed of trust (collectively, "**Encumbrance**"), which may now exist or hereafter be executed affecting any of the Building, the real property upon which the Building is located or City's interest therein and all renewals, extensions, modifications, and replacements of such Encumbrance. Notwithstanding the foregoing, City shall have the right to subordinate any such Encumbrances to this Lease. If any ground lease or underlying lease terminates for any reason or any mortgage or deed of trust is foreclosed or a conveyance in lieu of foreclosure is made for any reason, Tenant shall attorn to the successor-in-interest to City, at the option of such successor-in-interest, provided that so long as Tenant is not in default hereunder, such successor-in-interest shall recognize this Lease and shall not disturb Tenant in its possession of the Premises for any reason other than one that would entitle City to

terminate this Lease or otherwise dispossess Tenant of the Premises in accordance with the terms hereof. No further instrument shall be required to make the provisions hereof operative except that City shall give Tenant written notice of such subordination. Tenant agrees, however, to execute and deliver, upon demand by City and in the form requested by City, any additional documents evidencing the priority or subordination of this Lease provided such documents contain a non-disturbance and recognition agreement executed by the holder of such Encumbrance.

15. DAMAGE OR DESTRUCTION

The parties recognize that the Premises are a small portion of a building used as, among other things, a hospital. In the event of damage to the Premises or the Building by any cause, City shall have no obligation to rebuild or repair. If City, in City's sole and absolute discretion, determines to repair or rebuild, City shall give Tenant written notice of its determination and its good faith estimate of the amount of time to repair or rebuild, within thirty (30) days of the date of such damage or destruction. If such repairs or rebuilding cannot be completed within two hundred ten (210) days after the date of such damage or destruction, or if City elects not to repair or rebuild as provided above, then Tenant shall have the right, at its election, to terminate this Lease upon sixty (60) days prior written notice to City.

During the period of any repair or rebuilding provided for hereunder, Tenant shall have the right, at its sole expense, to bring onto the Building in a location mutually acceptable to Tenant and City and to operate a portable generator and mobile Communications Site and telescopic antennae or tower in order to provide for continuous service to Tenant's customers during such period. Neither the placement nor use of such generator or equipment shall interfere with City's operations or business in the Building or, if City has elected to repair or rebuild the Premises or the Building as provided above, with such repair or reconstruction.

The parties hereto understand and agree that the provisions of this Section are intended to govern fully the rights and obligations of the parties in the event of damage or destruction, and Tenant and City each hereby waives and releases the provisions of Section 1932, subdivision 2, and Section 1933, subdivision 4, of the Civil Code of California (When hirer may terminate the hiring) or under any similar law, statute or ordinance now or hereafter in effect.

16. EMINENT DOMAIN

16.1 Eminent Domain

If all or any part of the Premises shall be taken as a result of the exercise of the power of eminent domain or any transfer in lieu thereof, this Lease shall terminate as to the part so taken as of the date of taking. In the case of a partial taking, Tenant shall have the right to terminate this Lease as to the balance of the Premises by written notice to City within thirty (30) days after such date; provided, however, that a condition to the exercise by Tenant of such right to terminate shall be that the portion of the Premises taken shall be of such extent and nature as to materially impair Tenant's use of the balance of the Premises as a Communications Site. In the event of a partial taking of the Premises which does not result in a termination of this Lease, the Base Rent and Additional Charges thereafter to be paid shall be equitably reduced.

If any material part of the Building shall be taken as a result of the exercise of the power of eminent domain or any transfer in lieu thereof, City shall have the right to terminate this Lease by written notice to Tenant within thirty (30) days of the date of the taking.

In the event of any taking, City shall be entitled to any award which may be paid or made in connection therewith. Tenant shall have no claim against City for the value of any unexpired term of this Lease or otherwise except that Tenant may claim any portion of the award that is specifically allocable to Tenant's relocation expenses or the interruption of or damage to Tenant's business or loss or damage to Tenant's Property.

The parties understand and agree that the foregoing provisions of this Section are intended to govern fully the rights and obligations of the parties in the event of a taking. Tenant and City each hereby waives and releases any right to terminate this Lease in whole or in part under Sections 1265.120 and 1265.130 of the California Code of Civil Procedure (partial termination of lease and Court order terminating lease, respectively) or under any similar law, statute or ordinance now or hereafter in effect.

16.2 Temporary Takings

Notwithstanding the foregoing, if a taking occurs with respect to all or any portion of the Premises for less than ninety (90) days, this Lease shall remain unaffected thereby, and Tenant shall continue to perform all of the terms, conditions and covenants of this Lease, except that Tenant shall be entitled to an abatement in Base Rent to the extent that its use of the Premises as a Communications Site is materially impaired. In the event of any such temporary taking, Tenant shall be entitled to receive that portion of any award which represents compensation for the use or occupancy of the Premises during the Term up to the total Base Rent and Additional Charges owing by Tenant for the period of the taking, and City shall be entitled to receive the balance of any award.

17. ASSIGNMENT AND SUBLETTING

17.1 Restriction on Assignment and Subletting

Tenant shall not directly or indirectly (including, without limitation, by merger, acquisition, or other transfer of any controlling interest in Tenant), voluntarily or by operation of law, sell, assign, encumber, pledge or otherwise transfer any part of its interest in or rights with respect to the Premises or its leasehold estate hereunder (collectively, "**Assignment**"), or permit any portion of the Premises to be occupied by anyone other than itself, or sublet any portion of the Premises (collectively, "**Sublease**"), without City's prior written consent. City's consent shall not be unreasonably withheld in each instance, as provided hereinbelow and subject to the exception for certain permitted transfers as provided in Section 17.6 (Permitted Assignment). Notwithstanding anything to the contrary contained in this Lease, in no event shall Tenant have the right to encumber by a mortgage, deed of trust, security agreement, or otherwise, any part of the Premises, the Building or City's interest therein.

17.2 Notice of Proposed Transfer

If Tenant desires to enter into an Assignment or a Sublease, then it shall give written notice (a "**Notice of Proposed Transfer**") to City of its intention to do so. The Notice of Proposed Transfer shall provide in detail the terms and conditions for such proposed Assignment or Sublease and complete information, including financial statements, business history, and references about the Assignee or Sublessee and such other information about the proposed assignee or subtenant (collectively, "**Transferee**") as is reasonably requested by City to make a fully informed decision about consent to Tenant's request.

17.3 City's Response

City shall make its election to approve or disapprove such Assignment or Sublease within twenty (20) business days after City's receipt of the Notice of Proposed Transfer (the "**Response Period**"). If City approves the proposed Sublease or Assignment in writing, then Tenant shall be entitled for a period of ninety (90) days following such date to enter into the proposed Assignment or Sublease. However, any Rent or other consideration realized by Tenant under any such Assignment or Sublease in excess of the Base Rent and Additional Charges payable hereunder (or the amount thereof proportionate to the portion of the Premises subject to such Sublease) shall be paid to City after Tenant has recovered any reasonable broker's commissions and the reasonable cost of any improvements that Tenant has actually incurred in connection with such Sublease or Assignment.

Notwithstanding anything to the contrary in this Section, if any monetary or other material event of default by Tenant is outstanding hereunder at the time of Tenant's Notice of Proposed Transfer (or if any event shall have occurred which with the giving of notice or the passage of time or both would constitute such a default), then City may elect by notice to Tenant to refuse to consent to Tenant's proposed Transfer and pursue any of its right or remedies hereunder or at law or in equity.

17.4 Effect of Sublease or Assignment

No Sublease or Assignment by Tenant nor any consent by City thereto nor any Assignment or Sublease by Tenant permitted hereunder without City's consent shall relieve Tenant of any obligation on its part under this Lease. Any Sublease or Assignment that is not in compliance with this Section shall be void and, at City's option, shall constitute a material default by Tenant under this Lease. The acceptance of any Base Rent or other payments by City from a proposed Transferee shall not constitute consent to such Sublease or Assignment by City or a recognition of any Transferee, or a waiver by City of any failure of Tenant or other transferor to comply with this Section.

17.5 Assumption by Transferee

Each Transferee shall assume all obligations of Tenant under this Lease and shall be and remain liable jointly and severally with Tenant for the payment of the Base Rent and Additional Charges, and for the performance of all of the terms, covenants, conditions and agreements herein contained on Tenant's part to be performed. No Assignment shall be binding on City unless Tenant or Transferee shall deliver to City evidence satisfactory to City that it has obtained all permits, licenses, or other approvals required to operate as a wireless telecommunications service provider on the Premises, a counterpart of the Assignment (or other document reasonably satisfactory to the City in the event of an assignment permitted under Section 17.6 (Permitted Assignment)) and an instrument in recordable form that contains a covenant of assumption by such Transferee satisfactory in substance and form to City, and consistent with the requirements of this Section. However, the failure or refusal of such Transferee to execute such instrument of assumption shall not release such Transferee from its liability as set forth above. Except for a permitted assignment to a general partner or affiliate of Tenant as provided in Section 17.6, Tenant shall reimburse City on demand for any reasonable costs that may be incurred by City in connection with any proposed Sublease or Assignment, including, without limitation, the costs of making investigations as to the acceptability of the proposed Transferee and legal costs incurred in connection with the granting of any requested consent.

17.6 Permitted Assignment

City agrees that Tenant shall be permitted to enter into an Assignment of this Lease or Sublease of the Premises, without City's prior consent but with notice to City as provided below, to any entity which directly or indirectly controls, is controlled by or is under the common control with, Tenant, and has a net worth of at least Ten Million Dollars (\$10,000,000.00), will use the Premises in the same manner as Tenant under this Lease and holds all licenses, permits, and other approvals necessary to lawfully operate a Communications Site on the Premises. As used above, the term "control" shall mean **(a)** as to a corporation, the ownership of stock having the right to exercise more than fifty percent (50%) of the total combined voting power of all classes of stock of the controlled corporation, issued and outstanding, and **(b)** as to partnerships and other forms of business associations, ownership of more than fifty percent (50%) of the beneficial interest and voting control of such association. Tenant shall use its best efforts to provide City with notice in advance of any such permitted Assignment and in any event shall provide City with written notice no later than ten (10) days after the effective date of such permitted Assignment.

18. DEFAULT

18.1 Events of Default

Any of the following shall constitute an event of default by Tenant hereunder:

(a) any failure to pay any Base Rent or Additional Charges as and when due, provided Tenant shall have a period of ten (10) days from Tenant's receipt of written notice from City within which to cure any default in the payment of Rent; provided, however, that City shall not be required to provide such notice regarding Tenant's failure to make such payments when due more than two (2) times during any consecutive twelve (12) month period during the Term, and any such failure by Tenant after Tenant has received two (2) such notices in any calendar year from City shall constitute a default by Tenant hereunder without any requirement on the part of City to give Tenant notice of such failure except for a three (3)-day notice to pay or quit as required by law;

(b) any failure to perform or comply with any other covenant, condition or representation made under this Lease, provided Tenant shall have a period of thirty (30) days from the date of Tenant's receipt of written notice from City within which to cure such default under this Lease, or, if such default is not capable of cure within such thirty (30)-day period, Tenant shall have a reasonable period to complete such cure if Tenant promptly undertakes action to cure such default within such thirty (30)-day period and thereafter diligently prosecutes the same to completion and Tenant uses its best efforts to complete such cure within sixty (60) days after Tenant's receipt of written notice of default from City;

(c) any vacation or abandonment of the Premises for more than fourteen (14) consecutive days such that the Premises are no longer being used for the purposes set forth in Section 6.1; City acknowledges that the Premises are to be used as an unoccupied transmission facility and, accordingly, lack of on-site personnel shall not, in and of itself, be deemed to indicate vacation or abandonment; and

(d) the appointment of a receiver due to Tenant's insolvency to take possession of all or substantially all of the assets of Tenant, or an assignment by Tenant for the benefit of creditors, or any action taken or suffered by Tenant under any insolvency, bankruptcy, reorganization, moratorium or other debtor relief act or statute, whether now existing or hereafter amended or enacted, if any such receiver, assignment or action is not released, discharged, dismissed or vacated within sixty (60) days.

18.2 Remedies

Upon the occurrence of an event of default by Tenant which is not cured by Tenant within the applicable grace period, if any, specified in Section 18.1 (Events of Default), City shall have the following rights and remedies in addition to all other rights and remedies available to City at law or in equity:

(a) the rights and remedies provided by California Civil Code Section 1951.2 (damages on termination for breach), including, but not limited to, the right to terminate Tenant's right to possession of the Premises and to recover the worth at the time of award of the amount by which the unpaid Base Rent and Additional Charges for the balance of the Term after the time of award exceeds the amount of rental loss for the same period that Tenant proves could be reasonably avoided, as computed pursuant to subsection (b) of such Section 1951.2.

(b) the rights and remedies provided by California Civil Code Section 1951.4 (continuation of lease after breach and abandonment), which allows City to continue this Lease in effect and to enforce all of its rights and remedies under this Lease, including the right to recover rent as it becomes due, for so long as City does not terminate Tenant's right to possession. Acts of maintenance or preservation, efforts to relet the Premises or the appointment

of a receiver upon City's initiative to protect its interest under this Lease shall not constitute a termination of Tenant's right to possession. If City exercises its right under California Civil Code Section 1951.4, City may from time to time sublet the Premises or any part thereof for such term or terms (which may extend beyond the Term) and at such rent and upon such other terms as City in its sole discretion may deem advisable, with the right to make alterations and repairs to the Premises. Upon each such subletting, Tenant shall be immediately liable for payment to City of, in addition to Base Rent and Additional Charges due hereunder, the cost of such subletting and such alterations and repairs incurred by City and the amount, if any, by which the Base Rent and Additional Charges owing hereunder for the period of such subletting (to the extent such period does not exceed the Term) exceeds the amount to be paid as Base Rent and Additional Charges for the Premises for such period pursuant to such subletting. No action taken by City pursuant to this Subsection shall be deemed a waiver of any default by Tenant and, notwithstanding any such subletting without termination, City may at any time thereafter elect to terminate this Lease for such previous default.

(c) the right to have a receiver appointed for Tenant upon application by City to take possession of the Premises and to apply any rental collected from the Premises and to exercise all other rights and remedies granted to City pursuant to this Lease.

19. TENANT'S INDEMNITY

Tenant, on behalf of itself and its successors and assigns, shall indemnify, defend and hold harmless ("**Indemnify**") City, its Agents and Invitees, and their respective heirs, legal representatives, successors and assigns (individually and collectively, the "**Indemnified Parties**"), and each of them, from and against any and all liabilities, losses, costs, claims, judgments, settlements, damages, liens, fines, penalties and expenses, including, without limitation, direct and vicarious liability of every kind (collectively, "**Claims**"), incurred in connection with or arising in whole or in part from: (a) injury to or death of a person, including, without limitation, employees of Tenant, or loss of or damage to property, occurring on or about the Premises or License Area or arising in connection with the use of the Premises or License Area under this Lease; (b) any default by Tenant in the observation or performance of any of the terms, covenants or conditions of this Lease to be observed or performed on Tenant's part; (c) the use or occupancy or manner of use or occupancy of the Premises by Tenant, its Agents or Invitees or any person or entity claiming through or under any of them; (d) the condition of the Premises or any occurrence on the Premises from any cause attributable to the events described in clauses (a), (b) or (c) of this Section; or (e) any acts, omissions or negligence of Tenant, its Agents or Invitees in, on or about the Premises or the Building; all regardless of the negligence of, and regardless of whether liability without fault is imposed or sought to be imposed on, the Indemnified Parties, except to the extent that such Indemnity is void or otherwise unenforceable under applicable Law in effect on or validly retroactive to the date of this Lease and further except to the extent such Claim is caused by the willful misconduct or active negligence of the Indemnified Parties. The foregoing Indemnity shall include, without limitation, reasonable fees of attorneys, consultants and experts and related costs and City's costs of investigating any Claim. Tenant specifically acknowledges and agrees that it has an immediate and independent obligation to defend City and the other Indemnified Parties from any claim which actually or potentially falls within this indemnity provision even if such allegation is or may be groundless, fraudulent or false, which obligation arises at the time such claim is tendered to Tenant by City and continues at all times thereafter. Tenant's obligations under this Section shall survive the termination of the Lease.

20. INSURANCE

20.1 Tenant's Insurance

(a) During the Term, Tenant will carry, at its own cost and expense, the following insurance: (i) workers' compensation insurance that complies with applicable Laws; and (ii) commercial general liability ("**CGL**") insurance with respect to its activities on the

Property, such insurance to afford protection of up to Five Million Dollars (\$5,000,000) per occurrence and Six Million Dollars (\$6,000,000) annual aggregate, based on Insurance Services Office (ISO) Form CG 00 01, or a substitute form, providing substantially equivalent coverage. Tenant's CGL insurance shall contain a provision including the Indemnified Parties as additional insureds by endorsement with respect to this Agreement. Such additional insured coverage:

(i) shall be limited to bodily injury, property damage or personal and advertising injury caused, in whole or in part, by Tenant, its employees, agents or independent contractors;

(ii) shall not extend to claims for punitive or exemplary damages arising out of the acts or omissions of City, its employees, agents or independent contractors or where such coverage is prohibited by law or to claims arising out of the gross negligence of City, its employees, agents or independent contractors; and

(iii) shall not exceed Tenant's indemnification obligation under this Lease, if any.

(b) Notwithstanding the foregoing, Tenant shall have the right to self-insure the coverages required in subsection (a). In the event Tenant elects to self-insure its obligation to include City as an additional insured, the following provisions shall apply (in addition to those set forth in subsection (a)):

(i) City shall promptly and no later than thirty (30) days after notice thereof provide Tenant with written notice of any claim, demand, lawsuit, or the like for which it seeks coverage pursuant to this Section and provide Tenant with copies of any demands, notices, summonses, or legal papers received in connection with such claim, demand, lawsuit, or the like;

(ii) City shall not settle any such claim, demand, lawsuit, or the like without the prior written consent of Tenant; and

(iii) City shall cooperate with Tenant in the defense of the claim, demand, lawsuit, or the like by promptly providing information that is in City's possession and reasonably requested by Tenant for such defense, but City shall have no obligation to incur any costs or provide any services as part of such cooperation.

20.2 Tenant's Property

Tenant shall be responsible, at its sole expense, for separately insuring Tenant's Property.

20.3 City's Self Insurance

Tenant acknowledges that City self-insures against casualty, property damage and public liability risks and agrees that City may at its sole election, but shall not be required to, carry any third party insurance with respect to the Building, the Premises or otherwise.

20.4 Waiver of Subrogation Rights.

Notwithstanding anything to the contrary contained herein, City and Tenant (each a "**Waiving Party**") each hereby waives any right of recovery against the other party for any loss or damage sustained by such other party with respect to the Building or the Premises or any portion thereof or the contents of the same or any operation therein, whether or not such loss is caused by the fault or negligence of such other party, to the extent such loss or damage is covered by third party insurance which is required to be purchased by the Waiving Party under this Lease or is actually then carried by the Waiving Party. Each Waiving Party agrees to cause its third party insurers to issue appropriate waiver of subrogation rights endorsements to all

required policies relating to the Building or the Premises; provided, the failure to obtain any such endorsement shall not affect the above waiver.

21. LIMITATION OF CITY'S LIABILITY

21.1 Limitation on City's Liability

City shall not be responsible for or liable to Tenant, and Tenant hereby waives all Claims against City and its Agents and releases City and its Agents from, all Claims for any injury, loss or damage to any person or property in or about the Premises or any License Area created under this Lease by or from any cause whatsoever (other than to the extent caused by the active negligence or willful misconduct of City and its Agents), including, without limitation, acts or omissions of persons occupying adjoining premises or any part of the Building adjacent to or connected with the Premises; theft; burst, stopped or leaking water, gas, sewer or steam pipes; or gas, fire, oil or electricity in, on or about the Premises or the Building.

21.2 Consequential Damages

Tenant expressly acknowledges and agrees that the Rent payable hereunder does not take into account any potential liability of City for any consequential or incidental damages including, but not limited to, lost profits arising from the disruption to Tenant Improvements or the Tenant's Equipment. City would not be willing to enter into this Lease in the absence of a complete waiver of liability, to the fullest extent permitted by Law, for consequential or incidental damages due to the acts or omissions of City or its Agents, and Tenant expressly assumes the risk with respect thereto. Accordingly, without limiting any indemnification obligations of Tenant or other waivers contained in this Lease and as a material part of the consideration for this Lease, Tenant fully releases, waives and discharges forever any and all claims, demands, rights, and causes of action against City for consequential and incidental damages (including without limitation, lost profits) arising out of this Lease, including, without limitation, any interference with uses conducted by Tenant pursuant to this Lease, regardless of the cause, and whether or not due to the active or passive negligence or willful misconduct of City or its Agents, and covenants not to sue for such damages City, its departments, commissions, officers, directors and employees, and all persons acting by, through or under each of them.

21.3 No Relocation Assistance

This Lease creates no right in Tenant to receive any relocation assistance or payment for any reason under the Relocation Assistance Act (California Government Code Section 7260 et seq.), the Uniform Relocation Assistance Act (42 U.S.C. Section 4602 et seq.) as such acts may be amended or revised or under any existing or future law upon any termination of tenancy except as provided in Section 16 (Eminent Domain) hereof.

Tenant fully waives, releases and relinquishes forever any and all claims, demands, rights and causes of action that it may have against the city under any existing or future laws, for any compensation from City not otherwise provided for herein, upon any termination of tenancy hereunder.

In connection with the releases under Sections 21.1 (Limitation on City's Liability), 21.2 (Consequential Damages), and 21.3 (No Relocation Assistance), Tenant acknowledges that it is familiar with Section 1542 of the California Civil Code, which reads:

A GENERAL RELEASE DOES NOT EXTEND TO CLAIMS
WHICH THE CREDITOR DOES NOT KNOW OR SUSPECT TO
EXIST IN HIS OR HER FAVOR AT THE TIME OF EXECUTING
THE RELEASE, WHICH IF KNOWN BY HIM OR HER MUST

**HAVE MATERIALLY AFFECTED HIS OR HER SETTLEMENT
WITH THE DEBTOR.**

Tenant acknowledges that the releases contained herein include all known and unknown, disclosed and undisclosed, anticipated and unanticipated claims. Tenant realizes and acknowledges that it has agreed upon this Lease in light of this realization and, being fully aware of this situation, it nevertheless intends to waive the benefit of Civil Code Section 1542, or any statute or other similar law now or later in effect. The releases contained herein shall survive any termination of this Lease.

22. ACCESS TO PREMISES

22.1 Tenant's Access to the Premises

City hereby grants to Tenant during the Term of this Lease and for the limited purposes and subject to the terms and conditions set forth below, a nonexclusive license in and over the following common areas of the Building to the Premises: areas providing physical access by personnel and equipment including ramps, loading docks, walkways, staircases, and ladders; and the roof of the Building on which Tenant's Equipment is installed as shown on Exhibit A. Use of such common areas shall be subject to City's rights under Section 9 (City's Alterations of Building and Building Systems). The license granted to Tenant hereunder is for the sole purpose of constructing, maintaining, restoring, replacing and operating Tenant's Equipment located within the Premises and the Connecting Equipment in the License Area, including any necessary electrical and telephone conduits, in accordance with the use permitted under this Lease. Such rights shall include the right of ingress and egress through the Building during non-business hours for access to or from Tenant's Equipment located within the Premises or the Connecting Equipment located in the License Area, provided that Tenant shall notify City or a designee, as designated by City, at least twenty-four (24) hours in advance of any requested access and shall comply with the access requirements set forth in Exhibit E and any other reasonable requirements of such designated City person with respect to Tenant's requested access. In the event of an emergency, Tenant shall have the right to enter the Premises and the License Area provided it makes good faith efforts to notify City, or City's designated person, in advance of such entry. The foregoing license is irrevocable until this Lease expires or sooner terminates as provided herein.

22.2 City's Access to the Premises

City and its designated Agents shall have the right to enter the Premises at all reasonable times upon not less than twenty-four (24) hours advance notice (except in the event of an emergency) for any of the following purposes:

- (a) To determine whether the Premises are in good condition and to inspect the Premises;
- (b) To determine whether Tenant is in compliance with its obligations hereunder and to cure or attempt to cure any default in accordance with the provisions of Section 18.2 (Remedies) hereof;
- (c) To serve, post or keep posted any notices required or allowed under any provisions of this Lease or required under any applicable Law;
- (d) To do any maintenance or repairs to the Premises that City has the right or the obligation, if any, to perform hereunder; and
- (e) To show the Premises to any prospective purchasers, brokers, encumbrancers or officials, or, during the last year of the Term of this Lease, to exhibit the Premises to prospective tenants or other occupants, and to post any "for sale" or "for lease" signs in connection therewith.

22.3 Emergency Access

In the event of any emergency, as determined by City, City may, at its sole option and without notice (provided that City shall make reasonable efforts to provide Tenant with notice when feasible in light of the exigent circumstances) enter the Premises and alter or remove Tenant's Property on or about the Premises. City shall have the right to use any and all means City considers appropriate to gain access to any portion of the Premises in an emergency. In such case, City shall not be responsible for any damage or injury to any such property, nor for the replacement of any such property and any such emergency entry shall not be deemed to be a forcible or unlawful entry onto or a detainer of, the Premises, or any eviction, actual or constructive, of Tenant from the Premises or any portion thereof.

22.4 No Liability

City shall not be liable in any manner, and Tenant hereby waives any claims, for any inconvenience, disturbance, loss of business, nuisance or other damage arising out of City's entry onto the Premises, except damage resulting directly and exclusively from the gross negligence or willful misconduct of City or its Agents and not contributed to by the acts, omissions or negligence of Tenant, its Agents or Invitees. During any City access to the Premises pursuant to this Section 22 (Access to Premises), City will not unreasonably (i) interfere with the Tenant's Equipment in any way; (ii) move or remove the Tenant's Equipment; (iii) disconnect the power or any other utilities or services serving the Tenant's Equipment; or (iv) make any repairs to the Tenant's Equipment. As soon as reasonably possible following any such action by City, City must notify Tenant orally and followed promptly by written notice, that City entered the Premises and describe the action taken by City at the Premises in default of its obligations under the foregoing sentence.

22.5 No Abatement

Tenant shall not be entitled to any abatement in Rent if City exercises any rights reserved in this Section 22.

22.6 Minimize Disruption

City shall use its reasonable good faith efforts to conduct any activities on the Premises allowed under this Section 22 in a manner that, to the extent practicable, will minimize any disruption to Tenant's use hereunder.

23. ESTOPPEL CERTIFICATES

Tenant, at any time and from time to time upon not less than ten (10) days' and after receipt of written notice from City, shall execute, acknowledge and deliver to City or to any party designated by City, a certificate of Tenant stating: (a) that Tenant has accepted the Premises (or, if Tenant has not done so, that Tenant has not accepted the Premises and specifying the reasons therefor), (b) the Commencement Date and Expiration Date of this Lease, (c) that this Lease is unmodified and in full force and effect (or, if there have been modifications, that the Lease is in full force and effect as modified and stating the modifications), (d) whether or not there are then existing any defenses against the enforcement of any of the obligations of Tenant under this Lease (and if so, specifying the same), (e) whether or not there are then existing obligations of City under this Lease (and if so specifying the same), (f) the dates, if any, to which the Base Rent and Additional Charges have been paid, and (g) any other information that may be requested by the City pertaining to the status of the Lease.

24. RULES AND REGULATIONS

Tenant shall faithfully comply with any and all reasonable rules, regulations and instructions, written or oral which may be established during the Term by City with respect to use of any part of the Building.

25. SECURITY DEPOSIT

Upon execution of this Lease, Tenant shall deposit with City the sum specified as the security deposit in the Basic Lease Information (the "**Security Deposit**"), in cash or by good check, to secure Tenant's faithful performance of all terms, covenants and conditions of this Lease. Tenant agrees that City may (but shall not be required to) apply the Security Deposit in whole or in part to remedy any damage to the Premises caused by Tenant, its Agents or Invitees, or any failure of Tenant to perform any other terms, covenants or conditions in this Lease (including, but not limited to, the payment of Rent or other sum due hereunder either before or after a default), without waiving any of City's other rights and remedies under this Lease or under applicable Laws. Tenant waives the provisions of Section 1950.7 of the California Civil Code or any similar Laws now or hereafter in effect and agrees that Landlord may retain any portion of Security Deposit reasonably necessary to compensate Landlord for any foreseeable or unforeseeable loss or damage caused by the acts or omissions of Tenant, its Agents, or Invitees. Without limiting the foregoing, Tenant understands and agrees that Landlord may apply some or all of the Security Deposit to the payment of future Rent following a Tenant default.

If City uses any portion of the Security Deposit to cure any default by Tenant under this Lease, Tenant will immediately replenish the Security Deposit to the original amount within ten (10) business days following Tenant's receipt of a written request from the City for same accompanied by reasonable substantiation of the City's use of the Security Deposit or any portion thereof. If the Base Rent is increased under any of the provisions of this Lease, Tenant will increase the amount of the Security Deposit by the same amount. City's obligations with respect to the Security Deposit are solely that of debtor and not trustee. City shall not be required to keep the Security Deposit separate from its general funds, and Tenant shall not be entitled to interest on the Security Deposit. The amount of the Security Deposit shall in no way limit the liabilities of Tenant under any provision of this Lease. Provided Tenant is not in default under the Lease, City will return any remaining portion of the Security Deposit within the applicable period required under California law following the expiration or earlier termination of this Lease.

26. SURRENDER OF PREMISES

Upon the Expiration Date or other termination of this Lease, Tenant shall peaceably quit and surrender to City the Premises in good order and condition, normal wear and tear excepted, free of debris and hazards, after having made the last necessary repair required by Tenant under this Section (and damage caused by casualty or condemnation excepted). The Premises shall be surrendered free and clear of all liens and encumbrances caused by Tenant. Tenant shall, immediately before the Expiration Date or other termination of this Lease, remove all of Tenant's Property and repair any damage resulting from the removal; subject to City's exercise of its rights under Section 8.2 (Title to and Removal of Tenant's Equipment). Tenant's removal and repair work pursuant to this Section, if any, shall be performed (a) at Tenant's expense and at such time and, when required hereunder, in such manner as reasonably approved by City, which City approval shall not be unreasonably withheld, conditioned or delayed, (b) by duly licensed and bonded contractors or mechanics, (c) in a manner and using equipment and materials which will not interfere with or impair City's operations, use or occupation of the Building or the Building Systems, and (d) in accordance with any Building Rules and Regulations and all applicable Laws. Tenant's obligations under this Section shall survive the Expiration Date or other termination of this Lease. Any items of Tenant's Property which shall remain in the Premises after the Expiration Date of this Lease may, at the option of City, be deemed

abandoned and in such case may be disposed of by City in accordance with Civil Code Section 1980 et seq. or any other manner allowed by law.

Concurrently with the surrender of the Premises as provided above, Tenant agrees, if requested by City, to execute, acknowledge and deliver to City a quitclaim deed to the Premises and any other instrument reasonably requested by City to evidence or otherwise effect the termination of Tenant's leasehold estate hereunder and to effect such transfer or vesting of title to the Tenant Improvements or other improvements or equipment which are to remain part of the Premises as provided herein.

27. HAZARDOUS MATERIALS

27.1 Definitions

As used herein, the following terms shall have the meanings set forth below:

(a) **"Environmental Laws"** shall mean any federal, state, local or administrative law, rule, regulation, order or requirement relating to industrial hygiene, environmental conditions or Hazardous Materials, whether now in effect or hereafter adopted.

(b) **"Hazardous Material"** shall mean any material that, because of its quantity, concentration or physical or chemical characteristics, is at any time now or hereafter deemed by any federal, state or local governmental authority to pose a present or potential hazard to human health, welfare or safety or to the environment. Hazardous Material includes, without limitation, any material or substance defined as a "hazardous substance," or "pollutant" or "contaminant" pursuant to the Comprehensive Environmental Response, Compensation and Liability Act of 1980 ("**CERCLA**", also commonly known as the "**Superfund**" law), as amended, (42 U.S.C. Section 9601 et seq.) or pursuant to Section 25316 of the California Health & Safety Code; any "hazardous waste" listed pursuant to Section 25140 of the California Health & Safety Code; and petroleum, including crude oil or any fraction thereof, natural gas or natural gas liquids.

(c) **"Investigate and Remediate"** shall mean the undertaking of any activities to determine the nature and extent of Hazardous Material that may be located in, on, under or about the Premises, the Building and the real property upon which the Building is located and all other improvements and appurtenances to such real property (collectively, the "**Property**") or that has been, is being or threatens to be Released into the environment, and to clean up, remove, contain, treat, stabilize, monitor or otherwise control such Hazardous Material.

(d) **"Release"** when used with respect to Hazardous Material shall include any actual or imminent spilling, leaking, pumping, pouring, emitting, emptying, discharging, injecting, escaping, leaching, dumping, or disposing into or inside the Building, or in, on, under or about the Property or the environment.

27.2 Hazardous Materials in Premises

Tenant covenants and agrees that neither Tenant nor any of its Agents or Invitees shall cause or permit any Hazardous Material to be brought upon, kept, used, stored, generated, disposed of or Released in, on or about the Premises or any other part of the Property, or transported to or from the Property in violation of Environmental Laws, except that Tenant may use small quantities of Hazardous Materials, including backup batteries, as needed for backup power and routine cleaning and maintenance of Tenant's Equipment which are customarily used for backup power and routine cleaning and maintenance of such equipment and so long as all such materials are handled and used in compliance with Environmental Laws. Tenant shall immediately notify Landlord if and when Tenant learns or has reason to believe there has been any Release of Hazardous Material on or about the Premises or the Property.

27.3 Tenant's Environmental Indemnity

If Tenant breaches any of its obligations contained in this Section, or if any act, omission or negligence of Tenant or any of its Agents or Invitees results in any contamination of the Premises or any other part of the Property or in a Release of Hazardous Material from, on, about, in, or beneath any part of the Premises or the Property or the violation of any Environmental Law, then in any such event Tenant, on behalf of itself and its successors and assigns, shall Indemnify City, its Agents and Invitees, and their respective successors and assigns, and each of them, from and against any and all Claims (including, without limitation, damages for decrease in value of the Premises or the Property, the loss or restriction of the use of rentable or usable space or of any amenity of the Premises or the Property and sums paid in settlement of claims, attorneys' fees, consultants' fees and experts' fees) arising during or after the Term of this Lease relating to such Release or violation of Environmental Laws; provided, however, Tenant shall not be liable for any Claims to the extent such Release was caused by the active negligence or willful misconduct of City or its Agents. The foregoing Indemnity includes, without limitation, costs incurred in connection with any activities required to Investigate and Remediate any Hazardous Material brought onto the Premises or the Property by Tenant or any of its Agents or Invitees and to restore the Property to its condition prior to Tenant's introduction of such Hazardous Material or the correction of any violation of Environmental Laws. Tenant specifically acknowledges and agrees that it has an immediate and independent obligation to defend City and the other Indemnified Parties from any claim which actually or potentially falls within this indemnity provision even if such allegation is or may be groundless, fraudulent or false, which obligation arises at the time such claim is tendered to Tenant by City and continues at all times thereafter. Without limiting the foregoing, if Tenant or any of its Agents or Invitees cause the Release of any Hazardous Material on , about, in, or beneath the Premises or Property, then in any such event Tenant shall, immediately, at no expense to City, take any and all necessary actions to return the Premises or the Property, as applicable, to the condition existing prior to the Release of any such Hazardous Materials on the Property or otherwise abate the Release in accordance with all Environmental Laws, except to the extent such Release was caused by the active negligence of City or its Agents. Tenant shall afford City a full opportunity to participate in any discussions with governmental regulatory agencies regarding any settlement agreement, cleanup or abatement agreement, consent decree, or other compromise or proceeding involving Hazardous Material.

28. SPECIAL PROVISIONS

28.1 Extension Option

(a) Options to Extend Term

(1) Subject to City's rights under Section 28.3 (City's Right to Terminate) and Section 28.5 (City's Protection Against Interference), City grants to Tenant two (2) options to extend the Term of this Lease (the "**Extension Option**"), each extension for an additional five (5) years (the "**Extended Term**"). This Lease shall automatically renew for the Extended Term upon the same terms and conditions unless Tenant notifies City in writing of Tenant's intention not to renew this Lease at least two hundred seventy (270) days prior to the then-scheduled expiration of the Term. Any such automatic exercise by Tenant shall be irrevocable by Tenant except as provided in Section 28.1(b) (Base Rent and Other Terms). If any monetary event of default by Tenant is outstanding hereunder beyond the applicable cure period on the date which is ninety (90) days prior to the expiration of the Term, then City may elect by notice to Tenant to reject Tenant's automatic exercise of the Extension Option, whereupon the Extension Option shall be null and void.

(2) Notwithstanding the foregoing, City and Tenant acknowledge and agree that the automatic exercise feature of the Extensions Options in Section 28.1(a)(1) is subject to the approval of both the Board of Supervisors and the Mayor of the City. If the Board of Supervisors and the Mayor adopt a resolution that authorizes City to execute this Lease, but does

not expressly approve the automatic exercise feature of the Extension Options, then Tenant shall be required to notify City in writing of Tenant's intention to renew this Lease for the applicable Extended Term at least two hundred seventy (270) days prior to the then-scheduled expiration of the Term.

(b) Base Rent and Other Terms

If Tenant elects to exercise an Extension Option pursuant to the terms and conditions set forth in Section 28.1(a) above, then the lease for the Extended Term shall cover the entire Premises and shall be upon all of the terms, covenants and conditions of this Lease, except that upon the commencement of the Extended Term the Base Rent due and payable hereunder shall be increased by an amount equal to four percent (4%) over the Base Rent amount due during the year immediately preceding the Extended Term hereunder, notwithstanding Section 5.2 (Adjustments in Base Rent).

28.2 Tenant's Right to Terminate

In the event Tenant loses its permits necessary to operate the Communications Site due to reasons other than its failure to comply with the conditions of the permit and in spite of reasonable efforts by Tenant to maintain its permits, Tenant may terminate this Lease with ninety (90) days' prior written notice to City. The parties do not intend that Tenant's right to terminate be used to relocate to a better site.

28.3 City's Right to Terminate Due to Finding by Board of Supervisors

City shall have the right to terminate this Lease without penalty upon ninety (90) days' written notice to Tenant if, after notice and public hearing and a reasonable time (not to exceed sixty (60) days) for Tenant to effect a remedy, the San Francisco Board of Supervisors determines that Tenant's continued use of the Premises will adversely affect public health and safety.

28.4 City's Protection Against Interference

City shall not grant a lease for the Building if such use would materially adversely interfere with Tenant's normal operation of the Communications Site. Any such future lease of the Building to a third party that permits the installation of communication equipment shall be conditioned upon such tenant not causing measurable interference which materially impairs Tenant's ability to utilize the Premises for its intended purpose.

28.5 Tenant's Protection Against Interference

(a) Tenant will not permit its equipment or use of the Premises as a Communications Site to cause interference with or impairment of City's 911 Public Communications Safety System or Citywide 800 MHz Radio System or any other communication or computer equipment used by City or any of its Agents or tenants on the Property. Subject to City's obligations under Section 28.4 (City's Protection Against Interference), Tenant will not use the Premises or the Tenant's Equipment located on the Premises in any way which interferes with any existing use of the Building prior to this Lease or any future use of the Building by City or its successors (including, without limitation, City's use of the Building as a homeless shelter with related radio, telephone and other communications transmission and reception), and such interference shall be deemed a material breach of this Lease by Tenant, which shall, upon notice from City, be responsible for terminating such interference. In the event any such interference does not cease promptly, the parties acknowledge that continuing interference may cause irreparable injury and, therefore, City shall have the right (i) to bring an action to enjoin such interference and/or pursue any other remedy available at law or in equity to cause the interference to cease, other than the termination of the Lease, and, (ii) if such interference continues for more than two (2) consecutive days after Tenant's receipt of written notice from City, to cause Tenant's Equipment

to temporarily cease operation by means of operating a power shut-off or other equipment shut-off device pursuant to standing instructions provided by Tenant, in which event City shall immediately notify Tenant's representative as noted in this Lease that a shut-off of Tenant's Equipment has occurred.

(b) If City plans to make any Alteration to the Building or change in the nature of City's use of the Building during the Term that is reasonably anticipated to result in measurable interference which materially and adversely impairs Tenant's normal operation of Tenant's Equipment located on the Premises, and as a result of such interference, it would be necessary to either (1) alter all or any portion of the Tenant's Equipment located in the Premises, or (2) to relocate all or any portion of Tenant's Equipment located in any portion of the Premises (each such alteration and relocation is referred to as an "**Interference Change**"), then City shall notify Tenant in writing ("**Change Notice**") as far as reasonably possible in advance of the implementation of an Interference Change, but in no event (absent a bona fide emergency) less than one hundred and eighty (180) days in advance of the date that City reasonably anticipates the need to commence the work required. In the event of a bona fide emergency, City shall provide the Change Notice as much in advance as is reasonably practicable in light of the existence of the bona fide emergency. Following Tenant's receipt of a Change Notice from City or Tenant's delivery of written notice to City that an Interference Change has occurred or appears to be imminent, City and Tenant shall (i) promptly and reasonably communicate and cooperate with reasonable diligence and continuity to identify (A) the alterations of Tenant's Equipment on the Premises that may be required in light of the Interference Change, and/or (B) an alternate location of comparable size in and/or on the Building ("**Relocation Premises**") to which the affected portion(s) of Tenant's Equipment may be relocated, so that Tenant's Equipment, following any such alterations and/or relocation to the Relocation Premises, will provide reasonably comparable operational coverage, capacity and service to Tenant's customers based on a reasonable and objective evaluation of the technical performance of Tenant's Equipment. As part of the communication/cooperation process with City, Tenant shall provide City with a written description of the work and a good faith cost estimate concerning Tenant's Equipment and/or the Building that would be required to effect the necessary alterations and/or relocation, for City's review and approval, which approval shall not be unreasonably withheld, conditioned or delayed.

(c) If Tenant elects to make such alterations to Tenant's Equipment in the Premises and/or to relocate Tenant's Equipment to the Relocation Premises due to an Interference Change, then such work shall be at Tenant's sole cost and expense, provided, however, that Tenant shall have the right to offset the actual, documented cost incurred by Tenant to complete such alterations or relocation of Tenant's Equipment against Base Rent as it comes due, up to a maximum amount equal to the lesser of (i) the cost estimate contained in Tenant's notice to City described above or (ii) Ten Thousand and No/100 Dollars (\$10,000.00).

(d) If Tenant determines, in Tenant's sole discretion, that making the necessary alterations to Tenant's Equipment in the Premises and/or completing the necessary relocation of Tenant's Equipment to the Relocation Premises for an Interference Change are infeasible for either technological and/or economic reasons, then in lieu of undertaking the necessary alterations to Tenant's Equipment and/or completing the relocation of Tenant's Equipment to the Relocation Premises, Tenant shall have the right to terminate the Lease without further liability upon written notice to City.

(e) In the event that after compliance by City and Tenant with the process identified in Section 28.5(b) to address and resolve the Interference Change, City is unable, after using reasonable efforts to do so, to identify Relocation Premises in the Building that would be available to resolve the Interference Change, then City shall have the right to terminate the Lease upon written notice to Tenant to accomplish the City's paramount purpose of undertaking an Alteration to the Building or change in the nature of City's use of the Building during the Term that is reasonably anticipated to result in an Interference Change.

29. GENERAL PROVISIONS

29.1 Notices

Any notice given under this Lease shall be effective only if in writing and given by delivering the notice in person, by sending it first class mail or certified mail with a return receipt requested or overnight mail, return receipt requested, with postage prepaid, to: (a) Tenant at Tenant's address set forth in the Basic Lease Information, or at any place where Tenant or any agent, officer or employee of Tenant may be personally served if sent subsequent to Tenant's vacating, deserting, abandoning or surrendering the Premises; or (b) Landlord at City's address set forth in the Basic Lease Information; or (c) to such other address as either City or Tenant may designate as its new address for such purpose by notice given to the other in accordance with the provisions of this Section. All notices hereunder shall be deemed to have been given or received five (5) days after the date when it shall have been deposited with the U.S. Post Office if sent by first class or certified mail, or the next business day following deposit with an overnight courier service, or upon the date personal delivery is made. Neither party may give official or binding notice by facsimile.

29.2 No Implied Waiver

No failure by either party to insist upon the strict performance of any obligation of the other under this Lease or to exercise any right, power or remedy arising out of a breach thereof, irrespective of the length of time for which such failure continues, shall constitute a waiver of such breach. No acceptance by any Agent of City of full or partial Base Rent or Additional Charges during the continuance of any such breach, and no acceptance of the keys to or possession of the Premises prior to the expiration of the Term by any Agent of City, shall constitute a waiver of such breach or of City's right to demand strict compliance with such term, covenant or condition or operate as a surrender of this Lease. No express written waiver by either party of any default or the performance of any provision hereof shall affect any other default or performance, or cover any other period of time, other than the default, performance or period of time specified in such express waiver. One or more written waivers of a default or the performance of any provision hereof by either party shall not be deemed to be a waiver of a subsequent default or performance. The consent of City given in any instance under the terms of this Lease shall not relieve Tenant of any obligation to secure the consent of City in any other or future instance under the terms of this Lease.

29.3 Amendments

Neither this Lease nor any term or provisions hereof may be changed, waived, discharged or terminated orally, and no breach thereof shall be waived, altered or modified, except by a written instrument signed by both parties hereto.

29.4 Authority

If Tenant signs as a corporation or a partnership, each of the persons executing this Lease on behalf of Tenant does hereby covenant and warrant that Tenant is a duly authorized and existing entity, that Tenant is qualified to do business in California, that Tenant has full right and authority to enter into this Lease, and that each and all of the persons signing on behalf of Tenant are authorized to do so. Upon City's request, Tenant shall provide City with evidence reasonably satisfactory to City confirming the foregoing covenants and warranties.

29.5 Interpretation of Lease

The words "City" or "Landlord" and "Tenant" as used herein shall include the plural as well as the singular. If there is more than one Tenant, the obligations and liabilities under this Lease imposed on Tenant shall be joint and several. As used herein, the term "Agents" when used with respect to either party shall include the agents, employees, officers, contractors,

subcontractors and representatives of such party, and the term "Invitees" when used with respect to either party shall include the clients, customers, invited guests, licensees, assignees or subtenants of such party. The captions preceding the articles and sections of this Lease and in the table of contents have been inserted for convenience of reference and such captions in no way define or limit the scope or intent of any provision of this Lease. This Lease has been negotiated at arm's length and between persons sophisticated and knowledgeable in the matters dealt with herein. Provisions in this Lease relating to number of days shall be calendar days, unless otherwise specified, provided that if the last day of any period to give notice, reply to a notice or to undertake any other action occurs on a Saturday, Sunday or a bank or City holiday, then the last day for undertaking the action or giving or replying to the notice shall be the next succeeding business day. All approvals, consents or other determinations permitted or required by City hereunder shall be made by or through City's Director of Property or his or her designee unless otherwise provided in this Lease, by City's Charter or City Ordinance.

29.6 Successors and Assigns

The terms, covenants and conditions contained in this Lease shall bind and inure to the benefit of City and Tenant and, except as otherwise provided herein, their personal representatives and successors and assigns; provided, however, that upon the sale, assignment or transfer by City named herein (or by any subsequent landlord) of its interest in the Building as owner or lessee, including any transfer by operation of law, City (or any subsequent landlord) shall be relieved from all subsequent obligations and liabilities arising under this Lease subsequent to such sale, assignment or transfer.

29.7 Brokers

Neither party has had any contact or dealings regarding the leasing of the Premises, or any communication in connection therewith, through any licensed real estate broker or other person who could claim a right to a commission or finder's fee in connection with this Lease except as identified in the Basic Lease Information, whose commission, if any is due, shall be paid pursuant to a separate written agreement between such broker and the party through which such broker contracted. In the event that any broker or finder perfects a claim for a commission or finder's fee based upon any such contact, dealings or communication in connection with the lease contemplated herein, the party through whom the broker or finder makes his claim shall be responsible for such commission or fee and shall indemnify and hold harmless the other party from all claims, costs, and expenses (including, without limitation, reasonable attorneys' fees and disbursements) incurred by the indemnified party in defending against the same. The provisions of this Section shall survive any termination of this Lease.

29.8 Severability

If any provision of this Lease or the application thereof to any person, entity or circumstance shall, to any extent, be invalid or unenforceable, the remainder of this Lease, or the application of such provision to persons, entities or circumstances other than those as to which it is invalid or unenforceable, shall not be affected thereby, and to each provision of this Lease shall be valid and be enforced to the full extent permitted by law.

29.9 Governing Law

This Lease shall be construed and enforced in accordance with the laws of the State of California and City's Charter.

29.10 Entire Agreement

This instrument, including the exhibits hereto, which are made a part of this Lease, contains the entire agreement between the parties and all prior written or oral negotiations, understandings and agreements are merged herein. The parties further intend that this Lease

shall constitute the complete and exclusive statement of its terms and that no extrinsic evidence whatsoever (including prior drafts hereof and changes therefrom) may be introduced in any judicial, administrative or other legal proceeding involving this Lease. Tenant hereby acknowledges that neither City nor City's Agents have made any representations or warranties with respect to the Premises, the Building or this Lease except as expressly set forth herein, and no rights, easements or licenses are or shall be acquired by Tenant by implication or otherwise unless expressly set forth herein.

29.11 Attorneys' Fee

In the event that either City or Tenant fails to perform any of its obligations under this Lease or in the event a dispute arises concerning the meaning or interpretation of any provision of this Lease, the defaulting party or the non-prevailing party in such dispute, as the case may be, shall pay the prevailing party reasonable attorneys' and experts' fees and costs, and all court costs and other costs of action incurred by the prevailing party in connection with the prosecution or defense of such action and enforcing or establishing its rights hereunder (whether or not such action is prosecuted to a judgment). For purposes of this Lease, reasonable attorneys' fees of the City's Office of the City Attorney shall be based on the fees regularly charged by private attorneys with the equivalent number of years of experience in the subject matter area of the law for which the City Attorney's services were rendered who practice in the City of San Francisco in law firms with approximately the same number of attorneys as employed by the Office of the City Attorney. The term "attorneys' fees" shall also include, without limitation, all such fees incurred with respect to appeals, mediations, arbitrations, and bankruptcy proceedings, and whether or not any action is brought with respect to the matter for which such fees were incurred. The term "costs" shall mean the costs and expenses of counsel to the parties, which may include printing, duplicating and other expenses, air freight charges, hiring of experts, and fees billed for law clerks, paralegals, and others not admitted to the bar but performing services under the supervision of an attorney.

29.12 Holding Over

Any holding over after the expiration of the Term with the express consent of City shall be construed to automatically extend the Term of this Lease for a period of one (1) year at a Base Rent equal to one hundred fifty percent (150%) of the latest Base Rent payable by Tenant hereunder prior to such expiration, and shall otherwise be on the terms and conditions herein specified so far as applicable (except for those pertaining to the Term and any Extension Options). Any holding over without City's consent shall constitute a default by Tenant and entitle City to exercise any or all of its remedies as provided herein, notwithstanding that City may elect to accept one or more payments of Base Rent and Additional Charges from Tenant.

29.13 Time of Essence

Time is of the essence with respect to all provisions of this Lease in which a definite time for performance is specified.

29.14 Cumulative Remedies

All rights and remedies of either party hereto set forth in this Lease shall be cumulative, except as may otherwise be provided herein.

29.15 Survival of Indemnities

Termination of this Lease shall not affect the right of either party to enforce any and all indemnities and representations and warranties given or made to the other party under this Lease, nor shall it affect any provision of this Lease that expressly states it shall survive termination hereof.

29.16 Signs

Tenant agrees that it will not erect or maintain, or permit to be erected or maintained, any signs, notices or graphics upon or about the Premises which are visible in or from public corridors or other portions of any common areas of the Building or from the exterior of the Premises, without obtaining the prior written consent and approval of City, which City may withhold or grant in its sole discretion.

29.17 Light and Air

Tenant covenants and agrees that no diminution of light, air or view by any structure that may hereafter be erected (whether or not by City) shall entitle Tenant to any reduction of the Base Rent or Additional Charges under this Lease, result in any liability of City to Tenant, or in any other way affect this Lease or Tenant's obligations hereunder, except as described in Section 28.4 (City's Protection Against Interference).

29.18 Recording

Tenant agrees that it shall not record this Lease nor any memorandum or short form hereof in the Official Records of the City and County of San Francisco.

29.19 Taxes, Assessments, Licenses, Permit Fees and Liens

(a) Tenant recognizes and understands that this Lease may create a possessory interest subject to property taxation and that Tenant may be subject to the payment of property taxes levied on such interest. Tenant further recognizes and understands that any sublease or assignment permitted under this Lease and any exercise of any option to renew or extend this Lease may constitute a change in ownership for purposes of property taxation and therefore may result in a revaluation of any possessory interest created hereunder.

(b) Tenant agrees to pay taxes of any kind, including possessory interest taxes, that may be lawfully assessed on the leasehold interest hereby created and to pay all other taxes, excises, licenses, permit charges and assessments based on Tenant's usage of the Premises that may be imposed upon Tenant by law, all of which shall be paid when the same become due and payable and before delinquency. Tenant agrees not to allow or suffer a lien for any such taxes to be imposed upon the Premises or upon any equipment or property located thereon without promptly discharging the same, provided that Tenant, if so desiring, may have reasonable opportunity to contest the validity of the same.

(c) San Francisco Administrative Code Sections 23.38 and 23.39 require that City report certain information relating to the creation, renewal, extension, assignment, sublease, or other transfer of this Lease to the County Assessor within sixty (60) days after any such transaction, and that Tenant report certain information relating to such matters to City within sixty (60) days after the applicable transaction. Tenant agrees to provide such information as may be requested by City to enable the City to comply with this requirement.

29.20 Non-Liability of City Officials, Employees and Agents

No elective or appointive board, commission, member, officer, employee or agent of City shall be personally liable to Tenant, its successors and assigns, in the event of any default or breach by City or for any amount which may become due to Tenant, its successors and assigns, or for any obligation of City under this Lease.

29.21 Prevailing Wages and Local Hiring Requirements

(a) Any undefined, initially-capitalized term used in this subsection shall have the meaning given to such term in San Francisco Administrative Code Section 23.61. Tenant

shall require its Contractors and Subcontractors performing (i) labor in connection with a “public work” as defined under California Labor Code Section 1720 *et seq.* (which includes certain construction, alteration, maintenance, demolition, installation, repair, carpet laying, or refuse hauling work if paid for in whole or part out of public funds) or (ii) Covered Construction, at the Premises to (1) pay workers performing such work not less than the Prevailing Rate of Wages, (2) provide the same hours, working conditions and benefits as in each case are provided for similar work performed in San Francisco County, and (3) employ Apprentices in accordance with San Francisco Administrative Code Section 23.61 (collectively, “Prevailing Wage Requirements”). Tenant agrees to cooperate with the City in any action or proceeding against a Contractor or Subcontractor that fails to comply with the Prevailing Wage Requirements.

Tenant shall include, and shall require its subtenants, and Contractors and Subcontractors (regardless of tier) to include, the Prevailing Wage Requirements and the agreement to cooperate in City enforcement actions in any Construction Contract with specific reference to San Francisco Administrative Code Section 23.61. Each such Construction Contract shall name the City and County of San Francisco, affected workers, and employee organizations formally representing affected workers as third party beneficiaries for the limited purpose of enforcing the Prevailing Wage Requirements, including the right to file charges and seek penalties against any Contractor or Subcontractor in accordance with San Francisco Administrative Code Section 23.61. Tenant’s failure to comply with its obligations under this Section shall constitute a material breach of this Lease. A Contractor’s or Subcontractor’s failure to comply with this Section will enable the City to seek the remedies specified in San Francisco Administrative Code Section 23.61 against the breaching party. For the current Prevailing Rate of Wages, see www.sfgov.org/olse/prevailingwages or call the City’s Office of Labor Standard Enforcement at 415-554-6235.

(b) Any undefined, initially-capitalized term used in this subsection shall have the meaning given to such term in San Francisco Administrative Code Section 23.62 (the "Local Hiring Requirements"). Improvements and Alterations are subject to the Local Hiring Requirements unless the cost for such work is (i) estimated to be less than \$750,000 per building permit or (ii) meets any of the other exemptions in the Local Hiring Requirements. Tenant agrees that it shall comply with the Local Hiring Requirements to the extent applicable. Before starting any Tenant Improvement Work or any Alteration, Tenant shall contact City’s Office of Economic Workforce and Development ("OEWD") to verify if the Local Hiring Requirements apply to the work (i.e., whether the work is a "Covered Project").

Tenant shall include, and shall require its subtenants to include, a requirement to comply with the Local Hiring Requirements in any contract for a Covered Project with specific reference to San Francisco Administrative Code Section 23.62. Each such contract shall name the City and County of San Francisco as a third party beneficiary for the limited purpose of enforcing the Local Hiring Requirements, including the right to file charges and seek penalties. Tenant shall cooperate, and require its subtenants to cooperate, with the City in any action or proceeding against a contractor or subcontractor that fails to comply with the Local Hiring Requirements when required. Tenant’s failure to comply with its obligations under this subsection shall constitute a material breach of this Lease. A contractor’s or subcontractor’s failure to comply with this Section will enable the City to seek the remedies specified in San Francisco Administrative Code Section 23.62 against the breaching party.

29.22 Non-Discrimination in City Contracts and Benefits Ordinance.

(a) Covenant Not to Discriminate

In the performance of this Lease, Tenant agrees not to discriminate against any employee of, any City employee working with Tenant, or applicant for employment with Tenant, or against any person seeking accommodations, advantages, facilities, privileges, services, or membership in all business, social, or other establishments or organizations, on the basis of the fact or perception of a person’s race, color, creed, religion, national origin, ancestry, age, height,

weight, sex, sexual orientation, gender identity, domestic partner status, marital status, disability or Acquired Immune Deficiency Syndrome or HIV status (AIDS/HIV status), or association with members of such protected classes, or in retaliation for opposition to discrimination against such classes.

Tenant further acknowledges that the Americans with Disabilities Act requires that programs, services and other activities provided by a public entity to the public, whether directly or through a contractor, must be accessible to the disabled public. Subject to Section 13.1 (Compliance with Laws) hereof, Tenant acknowledges its obligation to comply with such Act and any other federal, state or local disability rights legislation. Tenant warrants that it will fulfill that obligation. Tenant also warrants that it will not discriminate against disabled persons in the provision of services, benefits or activities.

(b) Subleases and Other Subcontracts

Tenant shall include in all Subleases and other subcontracts relating to the Premises a non-discrimination clause applicable to such Subtenant or other subcontractor in substantially the form of Subsection (a) above. In addition, Tenant shall incorporate by reference in all subleases and other subcontracts the provisions of Sections 12B.2(a), 12B.2(c)-(k), and 12C.3 of the San Francisco Administrative Code and shall require all subtenants and other subcontractors to comply with such provisions. Tenant's failure to comply with the obligations in this Subsection shall constitute a material breach of this Lease.

(c) Non-Discrimination in Benefits

Tenant does not as of the date of this Lease and will not during the term of this Lease, in any of its operations in San Francisco, on real property owned by City, or where the work is being performed for the City or elsewhere within the United States, discriminate in the provision of bereavement leave, family medical leave, health benefits, membership or membership discounts, moving expenses, pension and retirement benefits or travel benefits, as well as any benefits other than the benefits specified above, between employees with domestic partners and employees with spouses, and/or between the domestic partners and spouses of such employees, where the domestic partnership has been registered with a governmental entity pursuant to state or local law authorizing such registration, subject to the conditions set forth in Section 12B.2(b) of the San Francisco Administrative Code.

(d) CMD Form

As a condition to this Lease, Tenant shall execute the "Chapter 12B Declaration: Nondiscrimination in Contracts and Benefits" form (Form CMD-12B-101) with supporting documentation and secure the approval of the form by the San Francisco Contract Monitoring Division ("CMD"). Tenant hereby represents that prior to execution of this Lease, (i) Tenant executed and submitted Form CMD-12B-101 with supporting documentation to the CMD, and (ii) the CMD approved such form.

(e) Incorporation of Administrative Code Provisions by Reference

The provisions of Chapters 12B and 12C of the San Francisco Administrative Code relating to non-discrimination by parties contracting for the lease of City property are incorporated in this Section by reference and made a part of this Lease as though fully set forth herein. Tenant shall comply fully with and be bound by all of the provisions that apply to this Lease under such Chapters of the Administrative Code, including but not limited to the remedies provided in such Chapters. Without limiting the foregoing, Tenant understands that pursuant to Section 12B.2(h) of the San Francisco Administrative Code, a penalty of Fifty Dollars (\$50) for each person for each calendar day during which such person was discriminated against in violation of the provisions of this Lease may be assessed against Tenant and/or deducted from any payments due Tenant.

29.23 Requiring Health Benefits for Covered Employees

Unless exempt, Tenant agrees to comply fully with and be bound by all of the provisions of the Health Care Accountability Ordinance (HCAO), as set forth in San Francisco Administrative Code Chapter 12Q, including the remedies provided, and implementing regulations, as the same may be amended from time to time. The provisions of Chapter 12Q are incorporated herein by reference and made a part of this Lease as though fully set forth. The text of the HCAO is available on the web at <http://www.sfgov.org/olse/hcao>. Capitalized terms used in this Section and not defined in this Lease shall have the meanings assigned to such terms in Chapter 12Q.

(a) For each Covered Employee, Tenant shall provide the appropriate health benefit set forth in Section 12Q.3 of the HCAO. If Tenant chooses to offer the health plan option, such health plan shall meet the minimum standards set forth by the San Francisco Health Commission.

(b) Notwithstanding the above, if the Tenant is a small business as defined in Section 12Q.3(d) of the HCAO, it shall have no obligation to comply with Subsection (a) above.

(c) Tenant's failure to comply with the HCAO shall constitute a material breach of this Lease. City shall notify Tenant if such a breach has occurred. If, within thirty (30) days after receiving City's written notice of a breach of this Lease for violating the HCAO, Tenant fails to cure such breach or, if such breach cannot reasonably be cured within such period of thirty (30) days, Tenant fails to commence efforts to cure within such period, or thereafter fails diligently to pursue such cure to completion, City shall have the right to pursue the remedies set forth in Section 12Q.5(f)(1-5). Each of these remedies shall be exercisable individually or in combination with any other rights or remedies available to City.

(d) Any Subcontract entered into by Tenant shall require the Subcontractor to comply with the requirements of the HCAO and shall contain contractual obligations substantially the same as those set forth in this Section. Tenant shall notify City's Purchasing Department when it enters into such a Subcontract and shall certify to the Purchasing Department that it has notified the Subcontractor of the obligations under the HCAO and has imposed the requirements of the HCAO on Subcontractor through the Subcontract. Each Tenant shall be responsible for its Subcontractors' compliance with this Chapter. If a Subcontractor fails to comply, the City may pursue the remedies set forth in this Section against Tenant based on the Subcontractor's failure to comply, provided that City has first provided Tenant with notice and an opportunity to obtain a cure of the violation.

(e) Tenant shall not discharge, reduce in compensation, or otherwise discriminate against any employee for notifying City with regard to Tenant's compliance or anticipated compliance with the requirements of the HCAO, for opposing any practice proscribed by the HCAO, for participating in proceedings related to the HCAO, or for seeking to assert or enforce any rights under the HCAO by any lawful means.

(f) Tenant represents and warrants that it is not an entity that was set up, or is being used, for the purpose of evading the intent of the HCAO.

(g) Tenant shall keep itself informed of the current requirements of the HCAO.

(h) Tenant shall provide reports to the City in accordance with any reporting standards promulgated by the City under the HCAO, including reports on Subcontractors and Subtenants, as applicable.

(i) Tenant shall provide City with access to records pertaining to compliance with HCAO after receiving a written request from City to do so and being provided at least five (5) business days to respond.

(j) City may conduct random audits of Tenant to ascertain its compliance with HCAO. Tenant agrees to cooperate with City when it conducts such audits.

(k) If Tenant is exempt from the HCAO when this Lease is executed because its amount is less than Twenty-Five Thousand Dollars (\$25,000), but Tenant later enters into an agreement or agreements that cause Tenant's aggregate amount of all agreements with City to reach Seventy-Five Thousand Dollars (\$75,000), all the agreements shall be thereafter subject to the HCAO. This obligation arises on the effective date of the agreement that causes the cumulative amount of agreements between Tenant and the Contracting Department to be equal to or greater than Seventy-Five Thousand Dollars (\$75,000) in the fiscal year.

29.24 MacBride Principles - Northern Ireland

The City and County of San Francisco urges companies doing business in Northern Ireland to move toward resolving employment inequities and encourages them to abide by the MacBride Principles as expressed in San Francisco Administrative Code Section 12F.1 et seq. The City and County of San Francisco also urges San Francisco companies to do business with corporations that abide by the MacBride Principles. Tenant acknowledges that it has read and understands the above statement of the City and County of San Francisco concerning doing business in Northern Ireland.

29.25 Drug-Free Workplace

Tenant acknowledges that pursuant to the Federal Drug-Free Workplace Act of 1989, the unlawful manufacture, distribution, possession or use of a controlled substance is prohibited on City premises. Tenant agrees that any violation of this prohibition by Tenant, its employees, agents or assigns shall be deemed a material breach of this Lease.

29.26 Tropical Hardwood and Virgin Redwood Ban

The City and County of San Francisco urges companies not to import, purchase, obtain or use for any purpose, any tropical hardwood or tropical hardwood wood product, virgin redwood or virgin redwood wood product except as expressly provided by the application of Sections 802(b) and 803(b) of the San Francisco Environment Code.

29.27 Restrictions on the Use of Pesticides

Chapter 3 of the San Francisco Environment Code (the Integrated Pest Management Program Ordinance or "IPM Ordinance") describes an integrated pest management ("IPM") policy to be implemented by all City departments. Tenant shall not use or apply or allow the use or application of any pesticides on the Premises or contract with any party to provide pest abatement or control services to the Premises without first receiving City's written approval of an IPM plan that (i) lists, to the extent reasonably possible, the types and estimated quantities of pesticides that Tenant may need to apply to the Premises during the term of this Lease, (ii) describes the steps Tenant will take to meet the City's IPM Policy described in Section 300 of the IPM Ordinance, and (iii) identifies, by name, title, address and telephone number, an individual to act as the Tenant's primary IPM contact person with the City. Tenant shall comply, and shall require all of Tenant's contractors to comply, with the IPM plan approved by the City and shall comply with the requirements of Sections 300(d), 302, 304, 305(f), 305(g), and 306 of the IPM Ordinance, as if Tenant were a City department. Among other matters, such provisions of the IPM Ordinance: (a) provide for the use of pesticides only as a last resort, (b) prohibit the use or application of pesticides on property owned by the City, except for pesticides granted an exemption under Section 303 of the IPM Ordinance (including pesticides included on the most current Reduced Risk Pesticide List compiled by City's Department of the Environment), (c) impose certain notice requirements, and (d) require Tenant to keep certain records and to report to City all pesticide use at the Premises by Tenant's staff or contractors.

If Tenant or Tenant's contractor will apply pesticides to outdoor areas at the Premises, Tenant must first obtain a written recommendation from a person holding a valid Agricultural Pest Control Advisor license issued by the California Department of Pesticide Regulation ("CDPR") and any such pesticide application shall be made only by or under the supervision of a person holding a valid, CDPR-issued Qualified Applicator certificate or Qualified Applicator license. City's current Reduced Risk Pesticide List and additional details about pest management on City property can be found at the San Francisco Department of the Environment website, <http://sfenvironment.org/ipm>.

29.28 Prohibition of Tobacco Sales and Advertising

Tenant acknowledges and agrees that no advertising or sale of cigarettes or tobacco products is allowed on the Premises. This advertising prohibition includes the placement of the name of a company producing cigarettes or tobacco products or the name of any cigarette or tobacco product in any promotion of any event or product.

29.29 Prohibition of Alcoholic Beverage Advertising

Tenant acknowledges and agrees that no advertising or sale of alcoholic beverages is allowed on the Premises. For purposes of this section, "alcoholic beverage" shall be defined as set forth in California Business and Professions Code Section 23004, and shall not include cleaning solutions, medical supplies and other products and substances not intended for drinking. This advertising prohibition includes the placement of the name of a company producing alcoholic beverages or the name of any alcoholic beverage in any promotion of any event or product.

29.30 Preservative-Treated Wood Containing Arsenic

Tenant may not purchase preservative-treated wood products containing arsenic in the performance of this Lease unless an exemption from the requirements of Environment Code Chapter 13 is obtained from the Department of Environment under Section 1304 of the Environment Code. The term "preservative-treated wood containing arsenic" shall mean wood treated with a preservative that contains arsenic, elemental arsenic, or an arsenic copper combination, including, but not limited to, chromated copper arsenate preservative, ammoniac copper zinc arsenate preservative, or ammoniacal copper arsenate preservative. Tenant may purchase preservative-treated wood products on the list of environmentally preferable alternatives prepared and adopted by the Department of Environment. This provision does not preclude Tenant from purchasing preservative-treated wood containing arsenic for saltwater immersion. The term "saltwater immersion" shall mean a pressure-treated wood that is used for construction purposes or facilities that are partially or totally immersed in saltwater.

29.31 Conflicts of Interest

Through its execution of this Lease, Tenant acknowledges that it is familiar with the provisions of Article III, Chapter 2 of City's Campaign and Governmental Conduct Code, and Section 87100 et seq. and Section 1090 et seq. of the Government Code of the State of California, and certifies that it does not know of any facts which would constitute a violation of said provisions, and agrees that if Tenant becomes aware of any such fact during the term of this Lease, Tenant shall immediately notify the City.

29.32 Notification of Limitations on Contributions

For the purposes of this Section, a "City Contractor" is a party that contracts with, or seeks to contract with, the City for the sale or leasing of any land or building to or from the City whenever such transaction would require the approval by a City elective officer, the board on which that City elective officer serves, or a board on which an appointee of that individual serves. Through its execution of this Agreement, Tenant acknowledges that it is familiar with

Section 1.126 of the San Francisco Campaign and Governmental Conduct Code, which prohibits a City Contractor from making any campaign contribution to (1) the City elective officer, (2) a candidate for the office held by such individual, or (3) a committee controlled by such individual or candidate, at any time from the commencement of negotiations for the contract until the later of either the termination of negotiations for that contract or twelve (12) months after the date that contract is approved. Tenant acknowledges that the foregoing restriction applies only if the contract or a combination or series of contracts approved by the same individual or board in a fiscal year have a total anticipated or actual value of \$100,000 or more. Tenant further acknowledges that (i) the prohibition on contributions applies to Tenant, each member of Tenant's board of directors, Tenant's chief executive officer, chief financial officer and chief operating officer, any person with an ownership interest of more than ten percent (10%) in Tenant, any subcontractor listed in the contract, and any committee that is sponsored or controlled by Tenant, and (ii) within thirty (30) days of the submission of a proposal for the contract, the City department seeking to enter into the contract must notify the Ethics Commission of the parties and any subcontractor to the contract. Additionally, Tenant certifies it has informed each of the persons described in the preceding sentence of the prohibitions contained in Section 1.126 by the time it submitted a proposal for the contract to the City, and has provided the names of the persons required to be informed to the City department seeking to enter into that contract within thirty (30) days of submitting its contract proposal to the City department receiving that submittal, and acknowledges the City department receiving that submittal was required to notify the Ethics Commission of those persons.

29.33 Sunshine Ordinance

In accordance with Section 67.24(e) of the San Francisco Administrative Code, contracts, contractors' bids, leases, agreements, responses to Requests for Proposals, and all other records of communications between City and persons or firms seeking contracts will be open to inspection immediately after a contract has been awarded. Nothing in this provision requires the disclosure of a private person's or organization's net worth or other proprietary financial data submitted for qualification for a contract, lease, agreement or other benefit until and unless that person or organization is awarded the contract, lease, agreement or benefit. Information provided which is covered by this Section will be made available to the public upon request.

29.34 Food Service and Packaging Waste Reduction

Tenant agrees to comply fully with and be bound by all of the provisions of the Food Service and Packaging Waste Reduction Ordinance, as set forth in the San Francisco Environment Code, Chapter 16, including the remedies provided therein, and implementing guidelines and rules. The provisions of Chapter 16 are incorporated herein by reference and made a part of this Lease as though fully set forth herein. Tenant acknowledges that City lessees may not use Disposable Food Service Ware that contains Polystyrene Foam in City Facilities and while performing under a City lease, and shall instead use suitable Biodegradable/Compostable or Recyclable Disposable Food Service Ware. This provision is a material term of this Lease. By entering into this Lease, Tenant agrees that if it breaches this provision, City will suffer actual damages that will be impractical or extremely difficult to determine. Without limiting City's other rights and remedies, Tenant agrees that the sum of One Hundred Dollars (\$100.00) liquidated damages for the first breach, Two Hundred Dollars (\$200.00) liquidated damages for the second breach in the same year, and Five Hundred Dollars (\$500.00) liquidated damages for subsequent breaches in the same year is a reasonable estimate of the damage that City will incur based on the violation, established in light of the circumstances existing at the time this Lease was made. Such amounts shall not be considered a penalty, but rather agreed monetary damages sustained by City because of Tenant's failure to comply with this provision.

29.35 Compliance with San Francisco Business and Tax Regulations Code

Tenant acknowledges that under Section 6.10-2 of the San Francisco Business and Tax Regulations Code, the City Treasurer and Tax Collector may require the withholding of

payments to any vendor that is delinquent in the payment of any amounts that the vendor is required to pay the City under the San Francisco Business and Tax Regulations Code. If, under that authority, any payment City is required to make to Tenant under this Lease is withheld, then City will not be in breach or default under this Lease, and the Treasurer and Tax Collector will authorize release of any payments withheld under this paragraph to Tenant, without interest, late fees, penalties, or other charges, upon Tenant coming back into compliance with its San Francisco Business and Tax Regulations Code obligations.

29.36 Counterparts

This Lease may be executed in two or more counterparts, each of which shall be deemed an original, but all of which taken together shall constitute one and the same instrument.

29.37 Effective Date

This Lease shall become effective on the date upon which the parties hereto have duly executed this Lease.

29.38 Cooperative Drafting

This Lease has been drafted through a cooperative effort of both parties, and both parties have had an opportunity to have the Lease reviewed and revised by legal counsel. No party shall be considered the drafter of this Lease, and no presumption or rule that an ambiguity shall be construed against the party drafting the clause shall apply to the interpretation or enforcement of this Lease.

[BALANCE OF PAGE LEFT INTENTIONALLY BLANK]

City and Tenant have executed this Lease as of the date first written above.

TENANT:

NEW CINGULAR WIRELESS PCS, LLC,
a Delaware limited liability company

By: AT&T Mobility Corporation
Its: Manager

By: _____
Name: _____
Its: _____
Date: _____

CITY:

CITY AND COUNTY OF SAN FRANCISCO,
a municipal corporation

By: _____
Andrico Q. Penick
Director of Property

Date: 7/28/2021

APPROVED AS TO FORM:

DENNIS J. HERRERA
City Attorney

By:

DocuSigned by:
Eileen Chauvet
F88BB51D620E49A...

Eileen Chauvet
Deputy City Attorney



SITE NUMBER: CCL00432
PROJECT: 4TX4RX SOFTWARE RETROFIT, 5G NR 1DR-1
SITE NAME: LAGUNA HONDA
USID # 12784 FA # 10088011
PACE #: MRSFR068779, MRSFR068762
PTN #: 3701A0T9H9, 3701A0TB64
375 LAGUNA HONDA BLVD
SAN FRANCISCO, CA 94131

RFDS VER. # 1.01 01/06/2020 ID# 3581095

CONSTRUCTION DRAWING
 IF USING 11"X17" PLOT, DRAWINGS WILL BE HALF SCALE

PROJECT DESCRIPTION

AT&T WIRELESS PROPOSES TO MODIFY AN EXISTING WIRELESS INSTALLATION. THE SCOPE WILL CONSIST OF THE FOLLOWING:

ANTENNA LOCATION:

- REMOVE (1) EXISTING AT&T PANEL ANTENNA, (1) PER SECTOR, (3) TOTAL
- REMOVE (1) EXISTING AT&T RRUS-11 B12, (1) PER SECTOR, (3) TOTAL
- INSTALL (1) NEW AT&T PANEL ANTENNA NHH-65A-RB14, (1) PER SECTOR, (3) TOTAL
- INSTALL (1) NEW AT&T RRUS 4449 B5/B12, (1) PER SECTOR, (3) TOTAL
- INSTALL (1) NEW AT&T DC-9 SURGE SUPPRESSOR PER SECTOR, (3) TOTAL
- INSTALL (2) NEW AT&T DC POWER TRUNKS PER SECTOR, (6) TOTAL
- INSTALL (1) NEW AT&T DC FIBER TRUNKS PER SECTOR, (3) TOTAL

EQUIPMENT LOCATION:

- REMOVE (1) EXISTING AT&T 100A SUB PANEL
- INSTALL (1) NEW AT&T DC-12 SURGE SUPPRESSOR IN (E) FIF RACK
- INSTALL (1) NEW AT&T 6630 IN (E) FIF RACK
- INSTALL (1) NEW AT&T 120/208VAC 3-PH 4-WIRE 125A SUB PANEL

DRAWING INDEX

SHEET NO:		
1 OF 11	T-1	TITLE SHEET
2 OF 11	GN-1	GENERAL NOTES & SITE SIGNAGES
3 OF 11	FD-1	FIRE DEPARTMENT CHECK LIST
4 OF 11	EME-1	EME REPORT
5 OF 11	PS-1	PHOTOSIMS
6 OF 11	A-1	SITE PLAN
7 OF 11	A-2	ENLARGED SITE PLAN AND EQUIPMENT LAYOUTS
8 OF 11	A-3	ANTENNA LAYOUTS
9 OF 11	A-4	ELEVATIONS
10 OF 11	A-5	ELEVATIONS
11 OF 11	D-1	DETAILS

DO NOT SCALE DRAWINGS

SUBCONTRACTOR SHALL VERIFY ALL PLANS & EXISTING DIMENSIONS & CONDITIONS ON THE JOB SITE & SHALL IMMEDIATELY NOTIFY THE ENGINEER IN WRITING OF ANY DISCREPANCIES BEFORE PROCEEDING WITH THE WORK OR BE RESPONSIBLE FOR SAME.

UNDERGROUND SERVICE ALERT OF SOUTHERN CALIFORNIA
 800-227-2600
 48 HOURS BEFORE YOU DIG

CCL00432
 4TX4RX SOFTWARE RETROFIT,
 5G NR 1DR-1
 LAGUNA HONDA
 375 LAGUNA HONDA BLVD
 SAN FRANCISCO, CA 94131

5001 EXECUTIVE PKWY
 SAN RAMON, CA 94583

2360 CIVIC DRIVE., STE. C
 PLEASANT HILL, CA 94523

PLANS PREPARED BY:

1875 Coronado Ave
 Signal Hill, CA 90755

A NUWAVE COMPANY

REV	DATE	DESCRIPTION	
4	05/05/20	100% CONSTRUCTION DRAWINGS	JG
3	04/13/20	95% CD AT&T REDLINES	GO
2	03/02/20	90% CONSTRUCTION DRAWINGS	RC/GO
1	02/14/20	85% CONSTRUCTION DRAWINGS	RC
0	10/25/18	80% CONSTRUCTION DRAWINGS	BC

REV	DATE	DESCRIPTION	
4	05/05/20	100% CONSTRUCTION DRAWINGS	JG
3	04/13/20	95% CD AT&T REDLINES	GO
2	03/02/20	90% CONSTRUCTION DRAWINGS	RC/GO
1	02/14/20	85% CONSTRUCTION DRAWINGS	RC
0	10/25/18	80% CONSTRUCTION DRAWINGS	BC

IT IS A VIOLATION OF LAW FOR ANY PERSON, UNLESS THEY ARE ACTING UNDER THE DIRECTION OF A LICENSED PROFESSIONAL ENGINEER, TO ALTER THIS DOCUMENT.

SHEET TITLE
TITLE SHEET

SHEET NUMBER
T-1

ENGINEERING

2019 CALIFORNIA BUILDING CODE
 2019 CALIFORNIA TITLE 24
 2019 CALIFORNIA FIRE CODE
 2019 CALIFORNIA ENERGY CODE
 2019 CALIFORNIA MECHANICAL CODE
 TIA/EIA-222-G OR LATEST EDITION

GENERAL NOTES

THE FACILITY IS UNMANNED AND NOT FOR HUMAN HABITATION. A TECHNICIAN WILL VISIT THE SITE AS REQUIRED FOR ROUTINE MAINTENANCE. THE PROJECT WILL NOT RESULT IN ANY SIGNIFICANT DISTURBANCE OR EFFECT ON DRAINAGE; NO SANITARY SEWER SERVICE, POTABLE WATER, OR TRASH DISPOSAL IS REQUIRED AND NO COMMERCIAL SIGNAGE IS PROPOSED.

SITE INFORMATION

PROPERTY OWNER: CITY OF SAN FRANCISCO.
 ADDRESS: 25 VAN NESS AVE. SAN FRANCISCO, CA 94102

SITE ADDRESS: 375 LAGUNA HONDA BLVD SAN FRANCISCO, CA 94131

APPLICANT: AT&T
 ADDRESS: 5001 EXECUTIVE PKWY SAN RAMON CA 94583

APPLICANT REPRESENTATIVE: SMARTLINK LLC
 ADDRESS: 2360 CIVIC DRIVE., STE. C PLEASANT HILL, CA 94523

LATITUDE (NAD 83): 37° 47' 51.9" N
 LONGITUDE (NAD 83): 122° 27' 22.29984" W
 LONGITUDE/LATITUDE TYPE: AMSL
 GROUND ELEVATION: ±545.6 FEET (NAVD88)
 APN #: 2842-007
 ZONING JURISDICTION: CITY OF SAN FRANCISCO
 CURRENT ZONING: -
 POWER COMPANY: PG&E
 TELCO COMPANY: AT&T
 PROPOSED USE: UNMANNED TELECOM FACILITY
 LEASE AREA (SF): TBD
 CONSTRUCTION TYPE: TBD

PROJECT TEAM

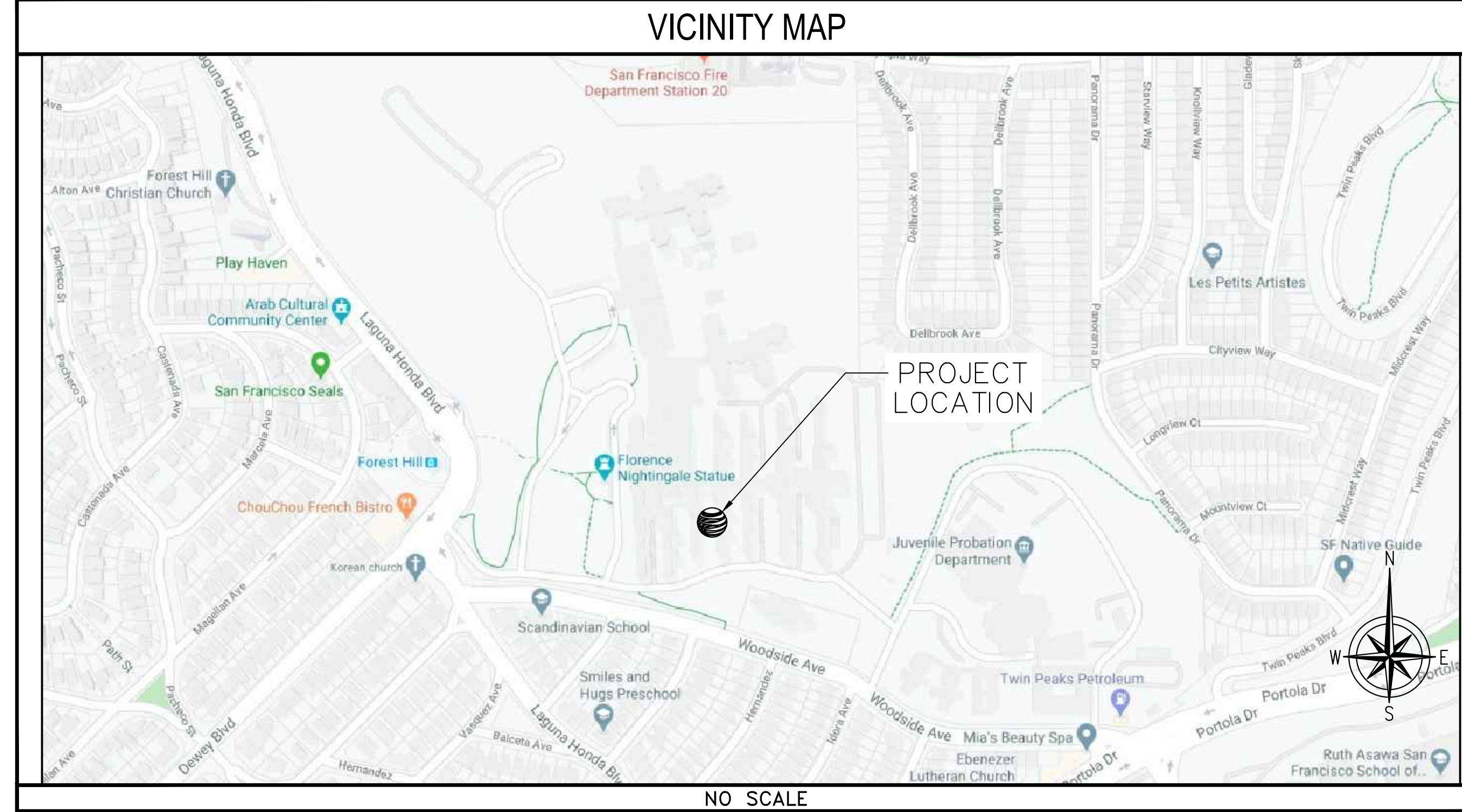
PROJECT MANAGER:
 AT&T
 5001 EXECUTIVE PKWY
 SAN RAMON, CA 94583
 CONTACT: JEFF DEITTER
 jd786h@att.com

ENGINEER:
 INTELOCITY, LLC
 1875 CORONADO AVE.
 SIGNAL HILL, CALIFORNIA 90755
 CONTACT: JOSUE ROMERO
 PH: (714) 553-5316
 josue.romero@intelocity.com

SITE ACQUISITION:
 SMARTLINK LLC
 2360 CIVIC DRIVE., STE. C
 PLEASANT HILL, CA 94523
 CONTACT: CHET ANDERSON
 PHONE: (906) 370-2487
 chet.anderson@smartlinkllc.com

ZONING:
 SMARTLINK LLC
 2360 CIVIC DRIVE., STE. C
 PLEASANT HILL, CA 94523
 CONTACT: CHET ANDERSON
 PHONE: (906) 370-2487
 chet.anderson@smartlinkllc.com

RF ENGINEER:
 AT&T
 5001 EXECUTIVE PKWY
 SAN RAMON, CA 94583
 CONTACT: SAGAR BONDE
 PHONE: (323) 457-5845
 sb970r@att.com



DRIVING DIRECTIONS

DIRECTIONS FROM AT&T OFFICE: 5001 EXECUTIVE PKWY SAN RAMON CA 94583
 HEAD SOUTHWEST, TURN RIGHT, TURN LEFT TOWARD EXECUTIVE PKWY, TURN RIGHT TOWARD EXECUTIVE PKWY, TURN RIGHT ONTO EXECUTIVE PKWY, TURN LEFT ONTO CAMINO RAMON, USE THE LEFT 2 LANES TO TURN LEFT ONTO CROW CANYON RD, USE THE RIGHT 2 LANES TO MERGE WITH I-680 N VIA THE RAMP TO SACRAMENTO, MERGE WITH I-680 N, USE THE RIGHT 2 LANES TO TAKE EXIT 46A FOR STATE ROUTE 24 TOWARD OAKLAND/LAFAYETTE, CONTINUE ONTO CA-24 W, KEEP LEFT AT THE Y JUNCTION TO STAY ON CA-24 W, USE THE RIGHT 2 LANES TO TAKE EXIT 2B FOR INTERSTATE 580 W, USE THE LEFT LANE TO MERGE WITH I-580 W, USE THE LEFT 3 LANES TO TAKE EXIT 19A TO MERGE WITH I-80 W TOWARD SAN FRANCISCO, KEEP RIGHT AT THE Y JUNCTION TO STAY ON I-80 W, MERGE WITH US-101 S, USE THE RIGHT LANE TO TAKE EXIT 431 FOR INTERSTATE 280 S TOWARD DALY CITY, USE THE RIGHT LANE TO MERGE WITH I-280 S, TAKE EXIT 53 TO MERGE WITH ALEMANY BLVD TOWARD MISSION ST, MERGE WITH ALEMANY BLVD, USE THE MIDDLE LANE TO STAY ON ALEMANY BLVD, TURN RIGHT ONTO ROUSSEAU ST, ROUSSEAU ST TURNS LEFT AND BECOMES STILL ST, SLIGHT RIGHT ONTO LYELL ST, TURN LEFT ONTO BOSWORTH ST, CONTINUE ONTO O'SHAUGHNESSY BLVD, CONTINUE ONTO WOODSIDE AVE, TURN RIGHT, TURN LEFT, TURN LEFT, TURN RIGHT 375 LAGUNA HONDA BLVD, SAN FRANCISCO, CA 94131.

GENERAL CONSTRUCTION NOTES

- 1. FOR THE PURPOSE OF CONSTRUCTION DRAWINGS, THE FOLLOWING DEFINITIONS SHALL APPLY: GENERAL CONTRACTOR - OVERLAND CONTRACTING INC. (B&V) SUBCONTRACTOR - CONTRACTOR (CONSTRUCTION) OWNER - AT&T
2. ALL SITE WORK SHALL BE COMPLETED AS INDICATED ON THE DRAWINGS AND AT&T PROJECT SPECIFICATIONS.
3. GENERAL CONTRACTOR AND SUBCONTRACTOR SHALL VISIT THE SITE AND SHALL FAMILIARIZE HIMSELF WITH ALL CONDITIONS AFFECTING THE PROPOSED WORK AND SHALL MAKE PROVISIONS.
4. ALL MATERIALS FURNISHED AND INSTALLED SHALL BE IN STRICT ACCORDANCE WITH ALL APPLICABLE CODES, REGULATIONS, AND ORDINANCES.
5. ALL WORK CARRIED OUT SHALL COMPLY WITH ALL APPLICABLE MUNICIPAL AND UTILITY COMPANY SPECIFICATIONS AND LOCAL JURISDICTIONAL CODES, ORDINANCES, AND APPLICABLE REGULATIONS.
6. UNLESS NOTED OTHERWISE, THE WORK SHALL INCLUDE FURNISHING MATERIALS, EQUIPMENT, APPURTENANCES, AND LABOR NECESSARY TO COMPLETE ALL INSTALLATIONS AS INDICATED ON THE DRAWINGS.
7. PLANS ARE NOT TO BE SCALED. THESE PLANS ARE INTENDED TO BE A DIAGRAMMATIC OUTLINE ONLY UNLESS OTHERWISE NOTED.
8. THE SUBCONTRACTOR SHALL INSTALL ALL EQUIPMENT AND MATERIALS IN ACCORDANCE WITH MANUFACTURER'S RECOMMENDATIONS UNLESS SPECIFICALLY STATED OTHERWISE.
9. IF THE SPECIFIED EQUIPMENT CANNOT BE INSTALLED AS SHOWN ON THESE DRAWINGS, THE SUBCONTRACTOR SHALL PROPOSE AN ALTERNATIVE INSTALLATION SPACE FOR APPROVAL BY THE ENGINEER PRIOR TO PROCEEDING.
10. GENERAL CONTRACTOR SHALL BE RESPONSIBLE FOR THE SAFETY OF WORK AREA, ADJACENT AREAS AND BUILDING OCCUPANTS THAT ARE LIKELY TO BE AFFECTED BY THE WORK UNDER THIS CONTRACT.
11. GENERAL CONTRACTOR SHALL COORDINATE WORK AND SCHEDULE WORK ACTIVITIES WITH OTHER DISCIPLINES.
12. ERECTION SHALL BE DONE IN A WORKMANLIKE MANNER BY COMPETENT EXPERIENCED WORKMAN IN ACCORDANCE WITH APPLICABLE CODES AND THE BEST ACCEPTED PRACTICE.
13. SEAL PENETRATIONS THROUGH FIRE RATED AREAS WITH UL LISTED MATERIALS APPROVED BY LOCAL JURISDICTION.
14. WORK PREVIOUSLY COMPLETED IS REPRESENTED BY LIGHT SHADED LINES AND NOTES.
15. SUBCONTRACTOR SHALL PROVIDE WRITTEN NOTICE TO THE CONSTRUCTION MANAGER 48 HOURS PRIOR TO COMMENCEMENT OF WORK.
16. THE SUBCONTRACTOR SHALL PROTECT EXISTING IMPROVEMENTS, PAVEMENTS, CURBS, LANDSCAPING AND STRUCTURES.
17. THE SUBCONTRACTOR SHALL CONTACT UTILITY LOCATING SERVICES PRIOR TO THE START OF CONSTRUCTION.
18. GENERAL CONTRACTOR SHALL COORDINATE AND MAINTAIN ACCESS FOR ALL TRADES AND SUBCONTRACTORS TO THE SITE AND/OR BUILDING.
19. THE GENERAL CONTRACTOR SHALL BE RESPONSIBLE FOR SECURITY OF THE SITE FOR THE DURATION OF CONSTRUCTION UNTIL JOB COMPLETION.
20. THE GENERAL CONTRACTOR SHALL MAINTAIN IN GOOD CONDITION ONE COMPLETE SET OF PLANS WITH ALL REVISIONS, ADDENDA, AND CHANGE ORDERS ON THE PREMISES AT ALL TIMES.
21. THE GENERAL CONTRACTOR AND SUBCONTRACTOR SHALL PROVIDE PORTABLE FIRE EXTINGUISHERS WITH A RATING OF NOT LESS THAN 2-A OR 2-A10-BC AND SHALL BE WITHIN 25 FEET OF TRAVEL DISTANCE TO ALL PORTIONS OF WHERE THE WORK IS BEING COMPLETED DURING CONSTRUCTION.
22. ALL EXISTING ACTIVE SEWER, WATER, GAS, ELECTRIC, AND OTHER UTILITIES SHALL BE PROTECTED AT ALL TIMES, AND WHERE REQUIRED FOR THE PROPER EXECUTION OF THE WORK, SHALL BE RELOCATED AS DIRECTED BY THE ENGINEER.
23. ALL EXISTING INACTIVE SEWER, WATER, GAS, ELECTRIC, AND OTHER UTILITIES, WHICH INTERFERE WITH THE EXECUTION OF THE WORK, SHALL BE REMOVED, CAPPED, PLUGGED OR OTHERWISE DISCONNECTED AT POINTS WHICH WILL NOT INTERFERE WITH THE EXECUTION OF THE WORK, AS DIRECTED BY THE RESPONSIBLE ENGINEER, AND SUBJECT TO THE APPROVAL OF THE OWNER AND/OR LOCAL UTILITIES.
24. THE AREAS OF THE OWNER'S PROPERTY DISTURBED BY THE WORK AND NOT COVERED BY THE TOWER, EQUIPMENT OR DRIVEWAY, SHALL BE GRADED TO A UNIFORM SLOPE, AND STABILIZED TO PREVENT EROSION.
25. SUBCONTRACTOR SHALL MINIMIZE DISTURBANCE TO THE EXISTING SITE DURING CONSTRUCTION.
26. NO FILL OR EMBANKMENT MATERIAL SHALL BE PLACED ON FROZEN GROUNDING.
27. THE SUBGRADE SHALL BE BROUGHT TO A SMOOTH UNIFORM GRADE AND COMPACTED TO 95 PERCENT STANDARD PROCTOR DENSITY UNDER PAVEMENT AND STRUCTURES AND 80 PERCENT STANDARD PROCTOR DENSITY IN OPEN SPACE.
28. ALL NECESSARY RUBBISH, STUMPS, DEBRIS, STICKS, STONES, AND OTHER REFUSE SHALL BE REMOVED FROM THE SITE AND DISPOSED OF IN A LAWFUL MANNER.
29. ALL BROCHURES, OPERATING AND MAINTENANCE MANUALS, CATALOGS, SHOP DRAWINGS, AND OTHER DOCUMENTS SHALL BE TURNED OVER TO THE GENERAL CONTRACTOR AT COMPLETION OF CONSTRUCTION AND PRIOR TO PAYMENT.
30. SUBCONTRACTOR SHALL SUBMIT A COMPLETE SET OF AS-BUILT REDLINES TO THE GENERAL CONTRACTOR UPON COMPLETION OF PROJECT AND PRIOR TO FINAL PAYMENT.

- 31. SUBCONTRACTOR SHALL LEAVE PREMISES IN A CLEAN CONDITION.
32. THE PROPOSED FACILITY WILL BE UNMANNED AND DOES NOT REQUIRE POTABLE WATER OR SEWER SERVICE, AND IS NOT FOR HUMAN HABITAT (NO HANDICAP ACCESS REQUIRED).
33. OCCUPANCY IS LIMITED TO PERIODIC MAINTENANCE AND INSPECTION, APPROXIMATELY 2 TIMES PER MONTH, BY AT&T TECHNICIANS.
34. NO OUTDOOR STORAGE OR SOLID WASTE CONTAINERS ARE PROPOSED.
35. ALL MATERIAL SHALL BE FURNISHED AND WORK SHALL BE PERFORMED IN ACCORDANCE WITH THE LATEST REVISION AT&T MOBILITY GROUNDING STANDARD "TECHNICAL SPECIFICATION FOR CONSTRUCTION OF GSM/GPRS WIRELESS SITES" AND "TECHNICAL SPECIFICATION FOR FACILITY GROUNDING".
36. SUBCONTRACTORS SHALL BE RESPONSIBLE FOR OBTAINING ALL PERMITS AND INSPECTIONS REQUIRED FOR CONSTRUCTION.
37. SUBCONTRACTOR SHALL REMOVE ALL TRASH AND DEBRIS FROM THE SITE ON A DAILY BASIS.
38. INFORMATION SHOWN ON THESE DRAWINGS WAS OBTAINED FROM SITE VISITS AND/OR DRAWINGS PROVIDED BY THE SITE OWNER.
39. NO WHITE STROBIC LIGHTS ARE PERMITTED.
40. ALL COAXIAL CABLE INSTALLATIONS TO FOLLOW MANUFACTURER'S INSTRUCTIONS AND RECOMMENDATIONS.
41. NO NOISE, SMOKE, DUST, ODOR, OR VIBRATIONS WILL RESULT FROM THIS FACILITY.
42. NO ADDITIONAL PARKING TO BE PROPOSED.
43. NO LANDSCAPING IS PROPOSED AT THIS SITE.

EMERGENCY SHUT DOWN
FOR IMMEDIATE SHUT DOWN OF ALL RADIO FREQUENCY EMISSIONS OF THIS SITE.
1) CALL CONTACT NUMBER AND GIVE SITE IDENTIFICATION NO.
CONTACT PHONE NUMBER: 1-800-832-6662
SITE IDENTIFICATION NUMBER: CCL00432
2) LOCATION OF EQUIPMENT: GROUND LEVEL, WITHIN (E) EQUIPMENT ROOM
3) THIS EQUIPMENT HAS BATTERY BACKUP: YES, INSIDE (E) EQUIPMENT ROOM (S)
DRAWING NOTES: 1. SIGN SHALL BE PHENOLIC LABEL WITH WHITE BACKGROUND AND BLACK LETTERING.
2. CONTRACTOR TO PLACE SIGNS IN FOLLOWING LOCATIONS: a) CELL SITE EQUIPMENT ROOM DOOR b) BATTERY LOCATION WITHIN PROXIMITY OF BATTERY DISCONNECT c) FCC ROOM WITHIN PROXIMITY OF THE FIRE ALARM PANEL d) BUILDING'S MAIN ELECTRICAL ROOM WITHIN PROXIMITY OF THE MAIN SHUTOFF AND/OR AT THE CELL SITE MAIN ELECTRICAL DISCONNECT

SIGN SHALL BE A PHENOLIC LABEL WITH WHITE BACKGROUND AND BLACK LETTERING. THE TITLE BLOCK SHALL BE A RED BACKGROUND AND 1" HIGH WHITE LETTERING.

- NOTE: SIGN TO BE PERMANENTLY MOUNTED AT THE FOLLOWING LOCATIONS:
1) CELL SITE EQUIPMENT ROOM DOOR
2) BATTERY LOCATION WITHIN PROXIMITY OF BATTERY DISCONNECT
3) FCC (FIRE CONTROL CENTER) ROOM WITHIN PROXIMITY OF THE FIRE ALARM PANEL
4) BUILDING'S MAIN ELECTRICAL ROOM WITHIN PROXIMITY OF THE MAIN SHUTOFF
5) THE CELL SITE MAIN ELECTRICAL DISCONNECT

EMERGENCY SHUT DOWN SIGN

1

NOTICE TO WORKERS
RADIO FREQUENCY ANTENNAS ON THIS ROOF. PLEASE EXERCISE CAUTION AROUND ANTENNAS AND OBEY POSTED SIGNS AND/OR MARKINGS.
IN ACCORDANCE WITH FCC RULES 47 CFR 1.1310
AVISO A TRABAJADORES
EXISTEN ANTENAS DE RADIOFRECUENCIA EN ESTE TECHO. POR FAVOR USE PRECAUCION ALREDEDOR DE LAS ANTENAS Y OBEDEZCA A LAS ZONAS RESTRINGIDAS O PARA OBTENER MAS INFORMACION, LLAME AL TELEFONO 1-800-832-6662 (NUMERO DE SITIO: CCL00432)
DE ACUERDO A LAS REGLAS DE FCC 47 CFR 1.1310
工作人員注意
此屋宇房頂有射頻天線裝置
在天線範圍四周務請小心,並遵照各已張貼之指示及/或標識行事
如需進入禁區範圍或索取更多資料,請致電 1-800-832-6662 此站區號: (CCL00432)
依據FCC條例第47 CFR1.1310 款執行

- NOTES:
1. WARNING SIGN TO BE MOUNTED AT ANTENNA LOCATIONS.
2. SIGN SHALL COMPLY WITH ANSI C95.2 COLOR, SYMBOL, AND CONTENT CONVENTIONS.
3. SIGNAGE SHALL BE CLEARLY LABELED IN A PHENOLIC LABEL WITH A WHITE BACKGROUND AND BLACK LETTERING, AND SHALL BE READABLE FROM AT LEAST (15) FEET FROM THE SIGN.
4. PROPOSED 12"X20" PLASTIC SIGN

MULTI-LANGUAGE SIGN

4

NOTICE
AT&T operates antennas at this site. Beyond This Point you are entering an area where radio frequency (RF) fields exceed the FCC Occupational Exposure Limits. Follow safety guidelines for working in an RF environment. Contact AT&T at 800-638-2822 and follow their instructions prior to performing any maintenance or repairs beyond this point.

INFORMATION
AT&T operates telecommunications antennas at this location. Remain at least 3 feet away from any antenna and obey all posted signs. Contact the owner(s) of the antenna(s) before working closer than 3 feet from the antenna. Contact AT&T at _____ prior to performing any maintenance or repairs near AT&T antennas. This is Site# _____ CCL00432. Contact the management office if this door/hatch/gate is found unlocked.
INFORMATION
En esta propiedad se ubican antenas de telecomunicaciones operadas por AT&T. Favor mantener una distancia de no menos de 3 pies y obedecer todos los avisos. Comuníquese con el propietario o los propietarios de las antenas antes de trabajar o caminar a una distancia de menos de 3 pies de las antenas. Comuníquese con AT&T _____ antes de realizar cualquier mantenimiento o reparaciones cerca de la antena de AT&T. Esta es la estación base número: CCL00432. Favor comunicarse con la oficina de la administración del edificio si esta puerta o compuerta se encuentra sin candado.

NOTICE/INFORMATION SIGNAGE

2

CAUTION
AT&T operates antennas at this site. Beyond This Point you are entering an area where radio frequency (RF) fields exceed the FCC Occupational Exposure Limits. Follow safety guidelines for working in an RF environment. Contact AT&T at 800-638-2822 and follow their instructions prior to performing any maintenance or repairs beyond this point.

WARNING
AT&T operates antennas at this site. Beyond This Point you are entering an area where radio frequency (RF) fields exceed the FCC Occupational Exposure Limits. Failure to follow safety guideline for working in an RF environment could result in serious injury. Contact AT&T at 800-638-2822 options 9 and 3, and request assistance prior to proceeding beyond this point.

CAUTION/WARNING SIGNAGE

3

CCL00432
4TX4RX SOFTWARE RETROFIT, 5G NR 1DR-1 LAGUNA HONDA
375 LAGUNA HONDA BLVD SAN FRANCISCO, CA 94131

at&t
5001 EXECUTIVE PKWY SAN RAMON, CA 94583

smartlink
2360 CIVIC DRIVE., STE. C PLEASANT HILL, CA 94523

INTELOCITY
DESIGN | BUILD | INNOVATE
1875 Coronado Ave Signal Hill, CA 90755
A NUWAVE COMPANY

Blank sign area

Table with 5 columns: REV, DATE, DESCRIPTION, and two empty columns. Rows include construction drawing milestones like '100% CONSTRUCTION DRAWINGS' and '95% CD AT&T REDLINES'.

REGISTERED PROFESSIONAL ENGINEER
CHRIS S. LEE
76549
CIVIL
STATE OF CALIFORNIA
IT IS A VIOLATION OF LAW FOR ANY PERSON, UNLESS THEY ARE ACTING UNDER THE DIRECTION OF A LICENSED PROFESSIONAL ENGINEER, TO ALTER THIS DOCUMENT.

SHEET TITLE
GENERAL NOTES & SITE SIGNAGES

SHEET NUMBER
GN-1

2.06 SUBMITTAL REQUIREMENTS FOR CELLULAR ANTENNA SITES (2019)

2.06 SUBMITTAL REQUIREMENTS FOR CELLULAR ANTENNA SITES (2019)

REFERENCE: 2019 SFBC, 2019 SFFC, 2019 SFMC AND FCC OET BULLETIN (97-01)

- SEE SHEET T-1 I. SUBMITTAL REQUIREMENTS
 A. PROVIDE A DESCRIPTION OF WORK ON THE PLANS.
- SEE SHEET A-1, A-2, A-3, A-4, A-5 B. PLANS SHALL INCLUDE PLAN VIEWS AND ELEVATIONS SHOWING ALL EQUIPMENT LOCATIONS AND CABLE RUNS.
- SEE SHEET A-3, D-1, D-2 & D-3 C. PLANS SHALL INCLUDE ANTENNA MANUFACTURER SPECIFICATION SHEETS AND EQUIPMENT LIST ON A DRAWING.
- SEE SHEET EME-1 D. INCLUDE A COPY OF THE SIGNED AND STAMPED RF REPORT ON A DRAWING SHEET AS A REFERENCE TO IDENTIFY THE EXCLUSION AREA REQUIRED TO PREVENT OCCUPATIONAL EXPOSURES IN EXCESS OF THE FCC GUIDELINES (47CFR1.1310 AND FCC OET BULLETIN 65 EDITION 97-01).
- SEE SHEET EME-1 E. THE RF REPORT SHALL INDICATE WHETHER OR NOT THE SITE UNDER REVIEW IS A PART OF A MULTIPLE TRANSMITTER SITE AND SHALL SHOW COMPLIANCE WITH FCC 47CFR1.1307 (B) (3), AS AMENDED - ALL TRANSMITTERS SHALL NOT EXCEED 5% OF THE POWER DENSITY EXPOSURE LIMIT.
- SEE SHEET EME-1 AND SHEET A-2 F. DRAWINGS SHALL REFLECT THE STRIPED/EXCLUSION AREAS FOR WORKERS PER THE ABOVE RF REPORT WITH A MINIMUM RADIUS OF 1-FOOT.
- SEE SHEET EME-1 G. PLANS SHALL INCLUDE A QUANTITATIVE THREE-DIMENSIONAL IMAGE OF THE RF LEVELS FROM EACH ANTENNA LOCATED NEAR AN EGRESS POINT (E.G. PENTHOUSE STAIR; FIRE ESCAPE, ROOF WALKING PATHS; SKYLIGHTS, ETC.).
- SEE SHEET GN-1, EME-1 AND A-2 H. "NOTICE TO WORKERS" WARNING SIGNAGE, AS APPLICABLE PER THE ABOVE RF REPORT, SHALL BE PERMANENTLY MOUNTED AT THE STAIRWELL SIDE OF THE ROOF-ACCESS DOOR (ANSI C95.2-1982 (REFERENCE [3]) - YELLOW OR MORE DURABLE COLOR FOR OUTDOOR LONGEVITY)
- SEE SHEET EME-1 AND SHEET A-2 I. CAMOUFLAGED ANTENNAS SHALL HAVE 4-INCH X 4-INCH SIGNAGE PERMANENTLY MOUNTED TO THE EXTERIOR TO THE RF SCREEN AS PROVIDED BELOW. THE SIGN SHALL BE WEATHERPROOF WITH CONTRASTING BACKGROUND COLOR AND SHALL CONTAIN THE YELLOW TRIANGLE AROUND THE ANTENNA SYMBOL (ANSI C95.2-1982 (REFERENCE [3]) - YELLOW OR MORE DURABLE COLOR FOR OUTDOOR LONGEVITY). SIGNAGE LOCATION(S) AND DETAIL OF THE SIGN SHALL BE INCLUDED ON THE PLANS.
- N/A J. CABLES/WIRING SHALL NOT BE ALLOWED IN EXIT ENCLOSURES, SMOKE-PROOF TOWERS, ELEVATOR SHAFTS, OR IN FRONT OF DRY STANDPIPES. 2019 SFFC 1023.5 AND 509.2
- SEE SHEET A-2 K. ANTENNAS SHALL NOT BE MOUNTED CLOSER THAN THE EXCLUSION ZONE PLUS 4- FEET FOR INSTALLATIONS NEAR FIRE ESCAPES, STAIR PENTHOUSE DOORS, EXTERIOR STANDPIPE OUTLETS, SKYLIGHTS, OR OTHER FIRE DEPARTMENT OPERATIONS CONSIDERATION.

- SEE SHEET D-2 L. STATIONARY STORAGE BATTERY SYSTEMS SHALL COMPLY WITH 2019 CFC, SECTION 608.

- SEE SHEET GN-1 AND SHEET A-2 M. THE FIRE DEPARTMENT MAY NEED TO SHUT DOWN THE POWER TO THE CELL SITE IN AN EMERGENCY SITUATION. IN ORDER TO REDUCE THE SITE OPERATOR'S POSSIBLE LOSS OF SERVICE, PERMANENT EMERGENCY SHUTDOWN PROCEDURE SIGNAGE SHALL BE PROVIDED AT THE EQUIPMENT ROOM ENTRANCE.

1. THE SIGN SHALL INCLUDE THE FOLLOWING:
 - a. EMERGENCY 24-HOUR/7 DAY A WEEK NETWORK OPERATIONS CENTER (NOC) / FIELD TECHNICIAN TELEPHONE NUMBER FOR RF SHUT-DOWN
 - b. CELL SITE IDENTIFICATION NUMBER
 - c. MAP SHOWING LOCATION OF ELECTRICAL MAIN SHUT-OFF (ELECTRICAL MAIN SHALL BE CLEARLY IDENTIFIED WITH A PERMANENT RED LABEL AND WHITE LETTERING).
 - d. MAP SHOWING LOCATION OF BATTERY CABINETS AND BREAKERS (CABINETS AND BREAKERS SHALL BE CLEARLY IDENTIFIED WITH A PERMANENT RED LABEL AND WHITE LETTERING).
 - e. ANY OTHER RELEVANT INFORMATION OR PROCEDURES AS REQUIRED FOR THE INDIVIDUAL CELLULAR SITE.
2. THE SIGN SHALL BE CLEARLY LABELED IN A PHENOLIC LABEL WITH A WHITE BACKGROUND AND BLACK LETTERING. THE TITLE BLOCK SHALL BE A RED BACKGROUND AND 1-INCH HIGH WHITE LETTERING. MULTIPLE SIGNS MAY NEED TO BE INSTALLED BASED UPON THE CELLULAR SITE CONFIGURATION.
3. A COPY OF THE SIGNAGE SHALL BE INCLUDED ON A DRAWING SHEET. SEE ATTACHED SAMPLE.

II. DRAWING NOTES

- A. SIGN SHALL BE A PHENOLIC LABEL WITH WHITE BACKGROUND AND BLACK LETTERING. THE TITLE BLOCK SHALL BE A RED BACKGROUND AND 1-INCH HIGH WHITE LETTERING.
- B. CONTRACTOR TO PLACE SIGNS IN FOLLOWING LOCATIONS:
 1. CELL SITE EQUIPMENT ROOM DOOR
 2. BATTERY LOCATION WITHIN PROXIMITY OF BATTERY DISCONNECT
 3. FCC ROOM WITHIN PROXIMITY OF THE FIRE ALARM PANEL
 4. BUILDING'S MAIN ELECTRICAL ROOM WITHIN PROXIMITY OF THE MAIN SHUTOFF AND/OR AT THE CELL SITE MAIN ELECTRICAL DISCONNECT

CCL00432
 4TX4RX SOFTWARE RETROFIT,
 5G NR 1DR-1
 LAGUNA HONDA
 375 LAGUNA HONDA BLVD
 SAN FRANCISCO, CA 94131



5001 EXECUTIVE PKWY
 SAN RAMON, CA 94583



2360 CIVIC DRIVE., STE. C
 PLEASANT HILL, CA 94523

PLANS PREPARED BY:

INTELOCITY
 DESIGN | BUILD | INNOVATE

1875 Coronado Ave
 Signal Hill, CA 90755

A NUWAVE COMPANY

REV	DATE	DESCRIPTION	
4	05/05/20	100% CONSTRUCTION DRAWINGS	JG
3	04/13/20	95% CD AT&T REDLINES	GO
2	03/02/20	90% CONSTRUCTION DRAWINGS	RC/GO
1	02/14/20	85% CONSTRUCTION DRAWINGS	RC
0	10/25/18	80% CONSTRUCTION DRAWINGS	BC



IT IS A VIOLATION OF LAW FOR ANY PERSON,
 UNLESS THEY ARE ACTING UNDER THE DIRECTION
 OF A LICENSED PROFESSIONAL ENGINEER,
 TO ALTER THIS DOCUMENT.

SHEET TITLE
**FIRE DEPARTMENT
 CHECK LIST**

SHEET NUMBER
FD-1

AT&T Mobility • Base Station No. CCL00432
375 Laguna Honda Boulevard • San Francisco, California
FA No. 10088011, USID No. 12784, PA No. 3701A0T9H9

Statement of Hammett & Edison, Inc., Consulting Engineers

The firm of Hammett & Edison, Inc., Consulting Engineers, has been retained on behalf of AT&T Mobility, a personal wireless telecommunications carrier, to evaluate proposed modifications to its existing base station (Site No. CCL00432) located at 375 Laguna Honda Boulevard in San Francisco, California, for compliance with appropriate guidelines limiting human exposure to radio frequency ("RF") electromagnetic fields.

Background

The San Francisco Department of Public Health has adopted an 11-point checklist for determining compliance of proposed WTS facilities or proposed modifications to such facilities with prevailing safety standards. The acceptable exposures limits set by the FCC are shown in Figure 1. The most restrictive limit for exposures of unlimited duration at several wireless service bands are as follows:

Table with 4 columns: Wireless Service Band, Transmit Frequency, 'Uncontrolled' Public Limit, Occupational Limit (5 times Public). Rows include Microwave (point-to-point), Millimeter-wave, Part 15 (WiFi & other unlicensed), CBRS (Citizens Broadband Radio), BRS (Broadband Radio), WCS (Wireless Communication), AWS (Advanced Wireless), PCS (Personal Communication), Cellular, SMR (Specialized Mobile Radio), 700 MHz, 600 MHz, and [most restrictive frequency range].

Checklist

Reference has been made to information provided by AT&T, including construction drawings by Intelocity, LLC, dated April 13, 2020. It should be noted that the calculation results in this Statement include several "worst-case" assumptions and therefore are expected to overstate actual power density levels from the proposed operations. Figure 2 describes the calculation methodologies, reflecting the facts that a directional antenna's radiation pattern is not fully formed at locations very close by (the "near-field" effect) and that at greater distances the power level from an energy source decreases with the square of the distance from it (the "inverse square law"). This methodology is an industry standard for evaluating RF exposure conditions and has been demonstrated through numerous field tests to be a conservative prediction of exposure levels.

AT&T Mobility • Base Station No. CCL00432
375 Laguna Honda Boulevard • San Francisco, California
FA No. 10088011, USID No. 12784, PA No. 3701A0T9H9

- 1. The location, identity, and total number of all operational radiating antennas installed at this site. AT&T had installed twelve directional panel antennas in three groups of four on the sides of two penthouses above the roof of the five-story Laguna Honda Hospital, located at 375 Laguna Honda Boulevard in San Francisco. There are reported no other wireless base stations installed at the site.
2. List all radiating antennas located within 100 feet of the site that could contribute to the cumulative radio frequency energy at this location. There are reported no other WTS facilities within 100 feet of the site.
3. Provide a narrative description of the proposed work for this project. AT&T proposes to replace three of its antennas. This is consistent with the scope of work described in the drawings for transmitting elements.
4. Provide an inventory of the make and model of antennas or transmitting equipment being installed or removed.

AT&T proposes to remove three Kathrein Model 800-10764 antennas and to install three CommScope Model NNH4-65A-R6H4 directional panel antennas at the same locations, next to the remaining nine Kathrein Model 800-10767 antennas. The twelve antennas would employ up to 16° downtilt, would be mounted at an effective height of about 62 feet above ground, at least 8 feet above the roof, and would be oriented in identical groups of four toward 20°T, 140°T, and 260°T, to provide service in all directions.

- 5. Describe the existing radio frequency energy environment at the nearest walking/working surface to the antennas and at ground level. This description may be based on field measurements or calculations.

The maximum existing RF level for a person on the roof near the antennas was measured† to be 0.12 mW/cm², which is less than 25% of the applicable public exposure limit. The maximum existing RF level for a person at ground near the site was measured† to be 0.0026 mW/cm², which is 1.3% of the most restrictive public limit.

- 6. Provide the maximum effective radiated power per sector for the proposed installation. The power should be reported in watts and reported both as a total and broken down by frequency band.

The maximum effective radiated power proposed by AT&T in any direction is 21,250 watts, representing simultaneous operation at 2,670 watts for WCS, 4,710 watts for AWS, 7,260 watts for PCS, 2,490 watts for cellular, and 4,120 watts for 700 MHz service.

† August 17, 2018, using calibrated Narda Type NBM-520 Broadband Field Meter with Type EF-0391 Isotropic Electric Field Probe (Serial No. D-0454).

AT&T Mobility • Base Station No. CCL00432
375 Laguna Honda Boulevard • San Francisco, California
FA No. 10088011, USID No. 12784, PA No. 3701A0T9H9

- 7. Describe the maximum cumulative predicted radio frequency energy level for any nearby publicly accessible building or area. The maximum calculated level at any nearby building is 8.6% of the public exposure limit; this occurs at the tall residential building about 330 feet to the southwest, located at 255 Woodside Avenue.
8. Report the estimated cumulative radio frequency fields for the proposed site at ground level. For a person anywhere at ground, the maximum RF exposure level due to the proposed AT&T operation is calculated to be 0.090 mW/cm², which is 12% of the applicable public exposure limit. Cumulative RF levels at ground level near the site are therefore estimated to be less than 14% of the applicable public limit.
9. Provide the maximum distance (in feet) the three dimensional perimeter of the radio frequency energy level equal to the public and occupational exposure limit is calculated to extend from the face of the antennas.

The three-dimensional perimeters of RF levels equal to the public and occupational exposure limits are calculated to extend up to 100 and 42 feet out from the antenna faces, respectively, and to much lesser distances above, below, and to the sides; this includes areas of the roof of the building but does not reach any publicly accessible areas.

- 10. Provide a description of whether or not the public has access to the antennas. Describe any existing or proposed warning signs, barricades, barriers, rooftop striping or other safety precautions for people nearing the equipment as may be required by any applicable FCC-adopted standards.

Due to their mounting location and height, requiring passage through a locked door to reach the upper or lower roofs, the AT&T antennas are not accessible to unauthorized persons. To prevent occupational exposures in excess of the FCC guidelines, it is recommended that appropriate RF safety training, to include review of personal monitor use and lockout/tagout procedures, be provided to all authorized personnel who have access to the roof, including employees and contractors of AT&T and of the property owner. No access within 42 feet directly in front of the AT&T antennas themselves, such as might occur during certain maintenance activities above the roof, should be allowed while the pertinent antennas are in operation, unless other measures can be demonstrated to ensure that occupational protection requirements are met. It is recommended that "Worker Notification Areas" be marked with yellow paint stripes and that "Prohibited Access Areas" be marked with red paint stripes on the roof of the building, as shown in Figure 3, to identify areas within which exposure levels are calculated to exceed the FCC public and occupational limits, respectively. It is recommended

AT&T Mobility • Base Station No. CCL00432
375 Laguna Honda Boulevard • San Francisco, California
FA No. 10088011, USID No. 12784, PA No. 3701A0T9H9

that explanatory signs† be posted at the roof access doors, at edges of the striped areas, and at the antennas, readily visible from any angle of approach to persons who might need to work within that distance.

11. Statement of authorship and qualification.

The undersigned author of this statement is a qualified Professional Engineer, holding California Registration Nos. E-13026 and M-20676, which expire on June 30, 2021. This work has been carried out under his direction, and all statements are true and correct of his own knowledge except, where noted, when data has been supplied by others, which data he believes to be correct.

Conclusion

Based on the information and analysis above, it is the undersigned's professional opinion that the proposed operation of the AT&T Mobility base station located at 375 Laguna Honda Boulevard in San Francisco, California, can comply with the prevailing standards for limiting human exposure to radio frequency energy and, therefore, need not for this reason cause a significant impact on the environment. The highest calculated level in publicly accessible areas is much less than the prevailing standards allow for exposures of unlimited duration. This finding is consistent with measurements of actual exposure conditions taken at other operating base stations. Locking the roof access doors is recommended to establish compliance with public exposure limits; training authorized personnel, marking roof areas, and posting explanatory signs are recommended to establish compliance with occupational exposure limits.

Professional Engineer seal for William F. Hammett, P.E., E-13026, M-20676, Exp. 6-30-2021, Electrical/Mechanical, State of California. Signature and contact info: William F. Hammett, P.E., 707/996-5200.

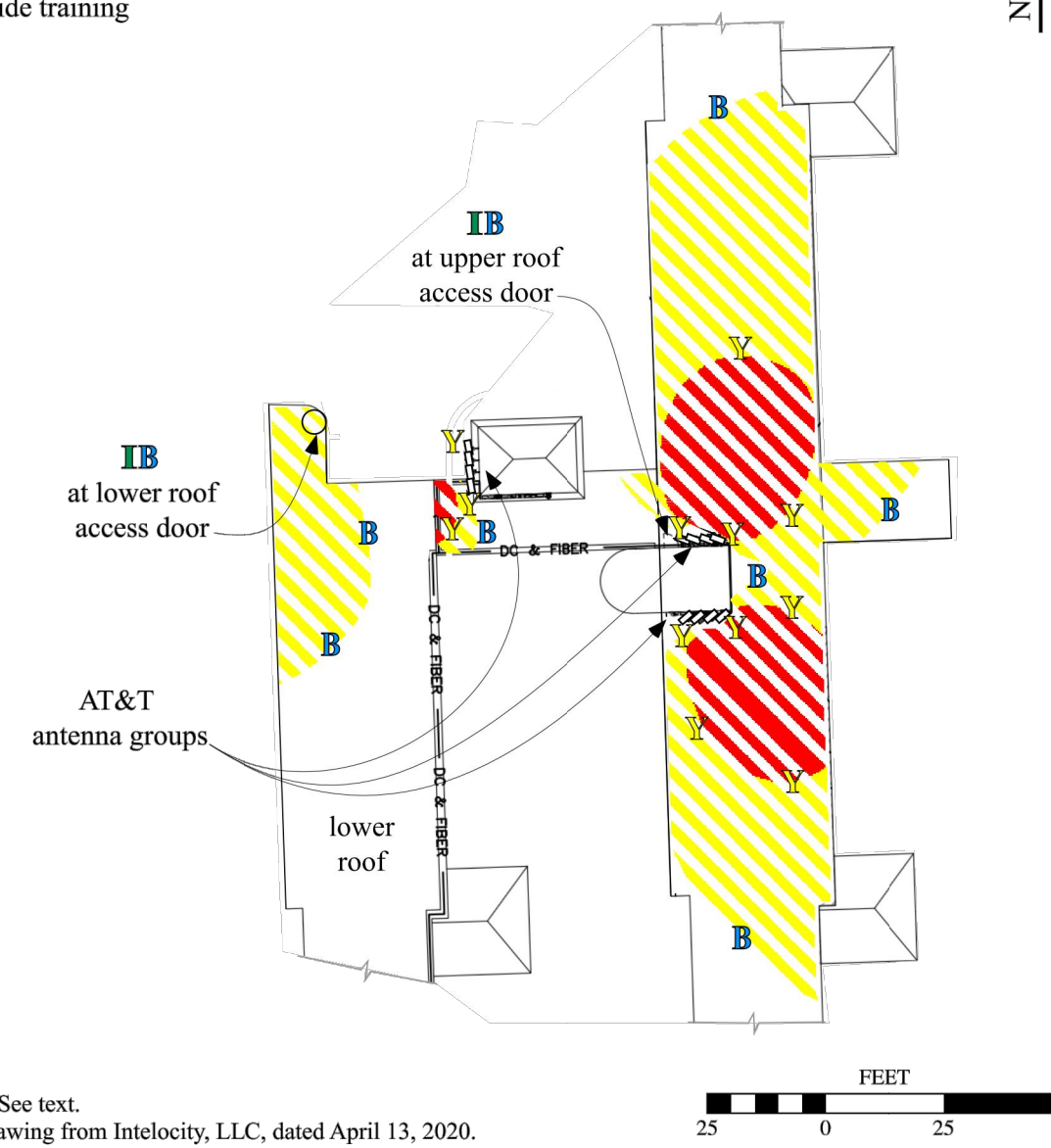
May 1, 2020

† Signs should comply with OET-65 color, symbol, and content recommendations. Contact information should be provided (e.g., a telephone number) to arrange for access to restricted areas. The selection of language(s) is not an engineering matter; the San Francisco Department of Public Health recommends that all signs be written in English, Spanish, and Chinese.

AT&T Mobility • Base Station No. CCL00432
375 Laguna Honda Boulevard • San Francisco, California
FA No. 10088011, USID No. 12784, PA No. 3701A0T9H9

Calculated Cumulative RF Exposure Levels on Roof

- Recommended Compliance Measures
• Stripe roof areas as shown (roof access doors locked)
• Post explanatory signs
• Provide training



Notes: See text. Base drawing from Intelocity, LLC, dated April 13, 2020. Calculations performed according to OET Bulletin 65, August 1997.

Legend table with 4 columns: Less Than Public, Exceeds Public, Exceeds Occupational, Exceeds 10x Occupational. Rows include Striping color (blank, yellow, red, N/A) and Sign type (I - Green INFORMATION, B - Blue NOTICE, Y - Yellow CAUTION, O - Orange WARNING).

CCL00432
4TX4RX SOFTWARE RETROFIT,
5G NR 1DR-1
LAGUNA HONDA
375 LAGUNA HONDA BLVD
SAN FRANCISCO, CA 94131



5001 EXECUTIVE PKWY
SAN RAMON, CA 94583



2360 CIVIC DRIVE., STE. C
PLEASANT HILL, CA 94523

PLANS PREPARED BY:



1875 Coronado Ave
Signal Hill, CA 90755

A NUWAVE COMPANY

Revision table with columns: REV, DATE, DESCRIPTION. Rows show revisions for construction drawings and redlines.



IT IS A VIOLATION OF LAW FOR ANY PERSON, UNLESS THEY ARE ACTING UNDER THE DIRECTION OF A LICENSED PROFESSIONAL ENGINEER, TO ALTER THIS DOCUMENT.

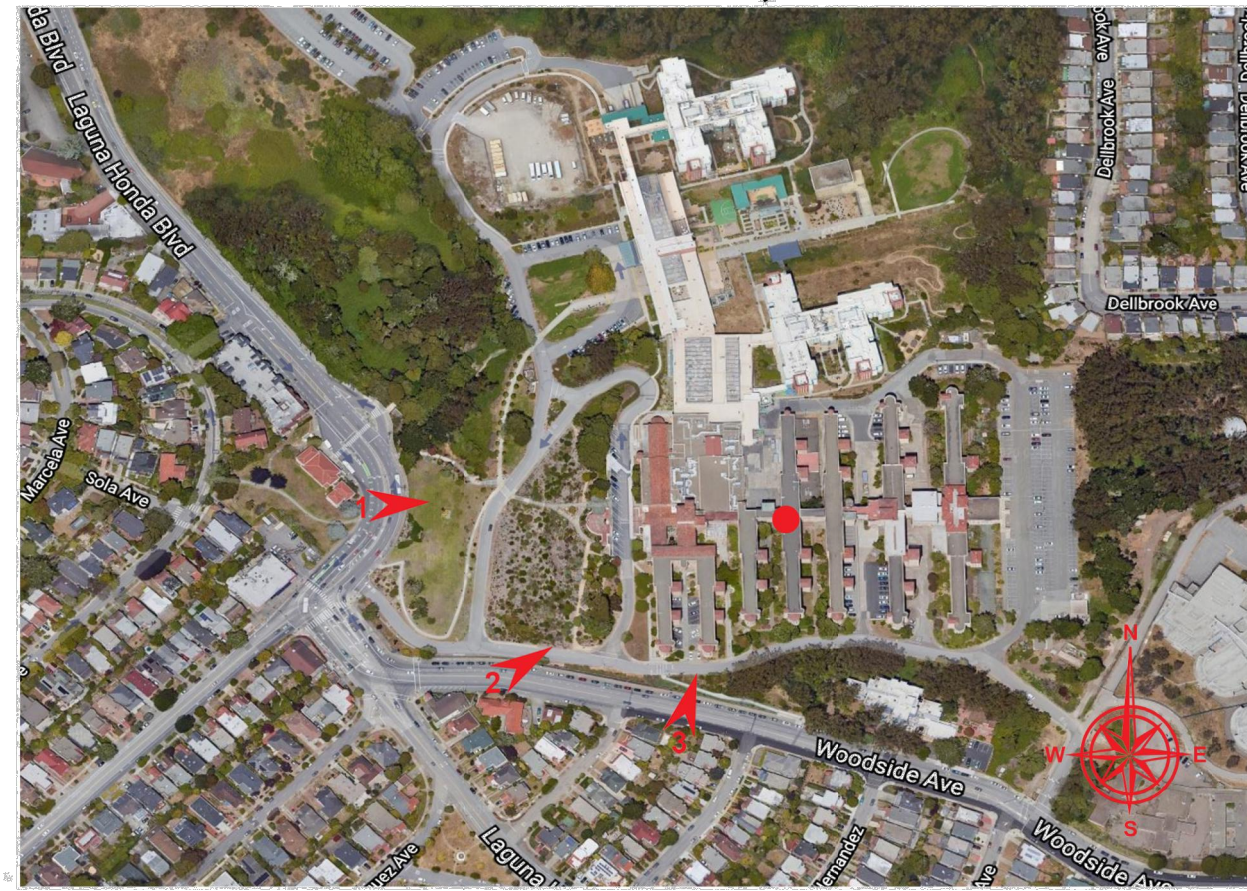
SHEET TITLE
EME REPORT

SHEET NUMBER
EME-1

PHOTO SIMULATION

ROOFTOP MOUNTED PANEL ANTENNAS AT:

375 LAGUNA HONDA BLVD SAN FRANCISCO, CA 94131



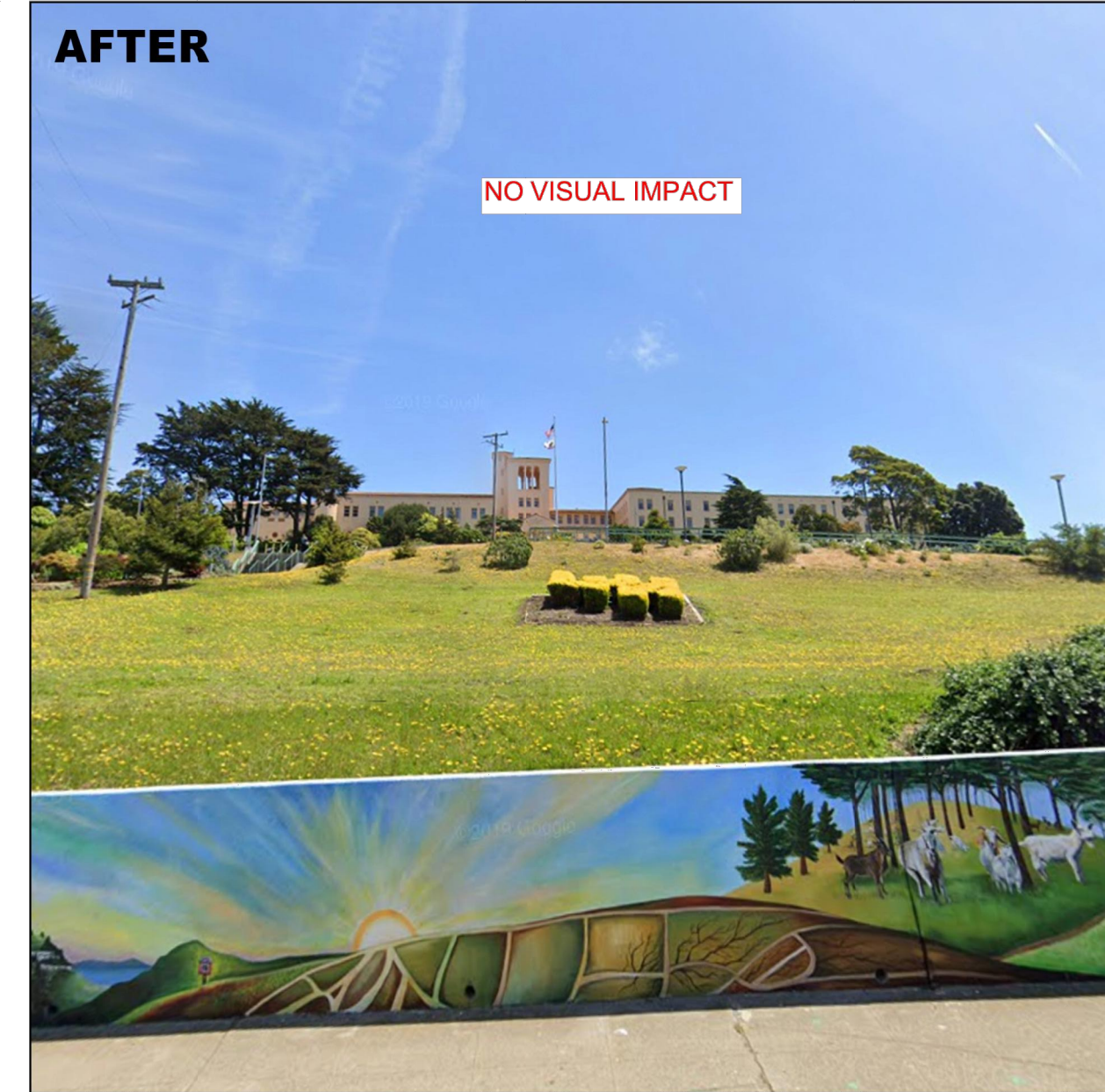
SHEET INDEX

PAGE NO.	PAGE TITLE
1	COVER
2	VIEW 1
3	VIEW 2
4	VIEW 3

PROJECT DESCRIPTION

AT&T PROPOSES TO MODIFY AN EXISTING WIRELESS INSTALLATION.

● LOCATION OF AT&T ANTENNAS



VIEW 1 | LOOKING EAST FROM LAGUNA HONDA BLVD

COVER

03.19.20

1875 CORONADO AVE
SIGNAL HILL, CA 90755
PH: 562-230-3519

PROJECT INFORMATION
SITE NUMBER: CCL00432
SITE NAME: LAGUNA HONDA
SITE ADDRESS: 375 LAGUNA HONDA BLVD SAN FRANCISCO, CA 94131

PAGE 1

03.19.20

1875 CORONADO AVE
SIGNAL HILL, CA 90755
PH: 562-230-3519

PROJECT INFORMATION
SITE NUMBER: CCL00432
SITE NAME: LAGUNA HONDA
SITE ADDRESS: 375 LAGUNA HONDA BLVD SAN FRANCISCO, CA 94131

PAGE 2

CCL00432
4TX4RX SOFTWARE RETROFIT,
5G NR 1DR-1
LAGUNA HONDA
375 LAGUNA HONDA BLVD
SAN FRANCISCO, CA 94131



5001 EXECUTIVE PKWY
SAN RAMON, CA 94583



2360 CIVIC DRIVE., STE. C
PLEASANT HILL, CA 94523

PLANS PREPARED BY:
INTELOCITY
DESIGN | BUILD | INNOVATE
1875 Coronado Ave
Signal Hill, CA 90755
A NUWAVE COMPANY



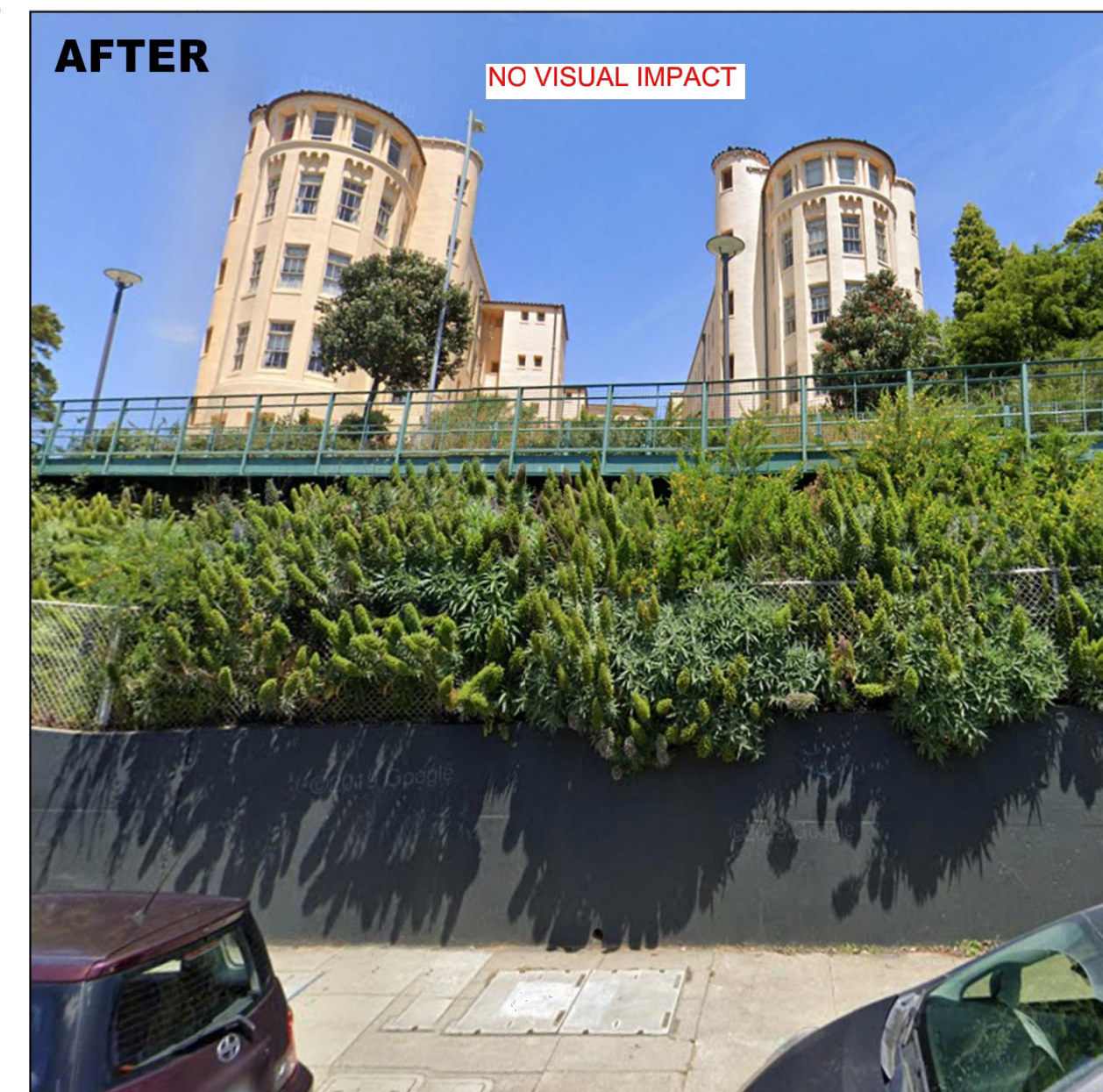
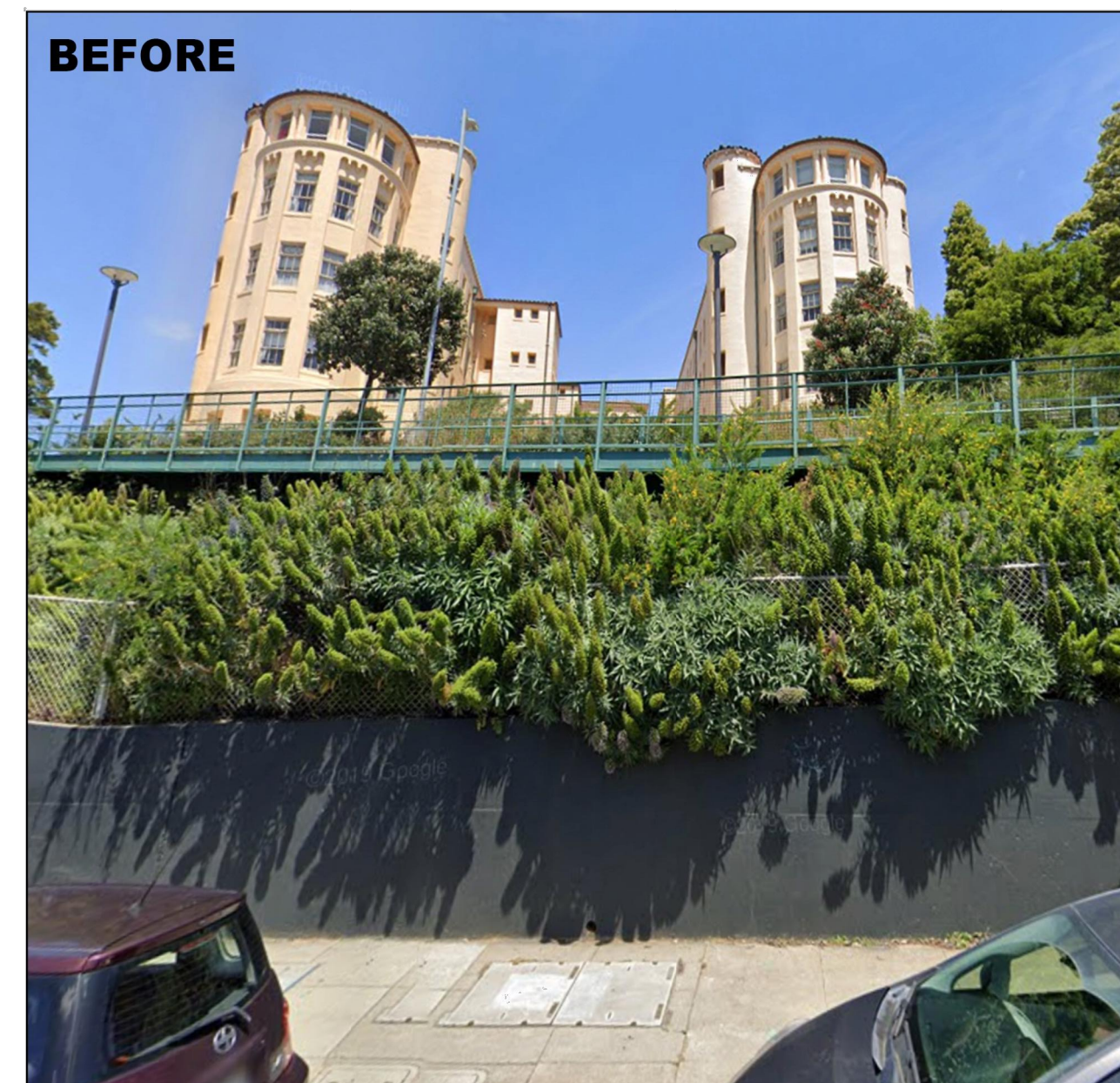
VIEW 2 | LOOKING NORTHEAST FROM WOODSIDE AVE

03.19.20

1875 CORONADO AVE
SIGNAL HILL, CA 90755
PH: 562-230-3519

PROJECT INFORMATION
SITE NUMBER: CCL00432
SITE NAME: LAGUNA HONDA
SITE ADDRESS: 375 LAGUNA HONDA BLVD SAN FRANCISCO, CA 94131

PAGE 3



VIEW 3 | LOOKING NORTH FROM WOODSIDE AVE

03.19.20

1875 CORONADO AVE
SIGNAL HILL, CA 90755
PH: 562-230-3519

PROJECT INFORMATION
SITE NUMBER: CCL00432
SITE NAME: LAGUNA HONDA
SITE ADDRESS: 375 LAGUNA HONDA BLVD SAN FRANCISCO, CA 94131

PAGE 4

REV	DATE	DESCRIPTION	
4	05/05/20	100% CONSTRUCTION DRAWINGS	JG
3	04/13/20	95% CD AT&T REDLINES	GO
2	03/02/20	90% CONSTRUCTION DRAWINGS	RC/GO
1	02/14/20	85% CONSTRUCTION DRAWINGS	RC
0	10/25/18	80% CONSTRUCTION DRAWINGS	BC

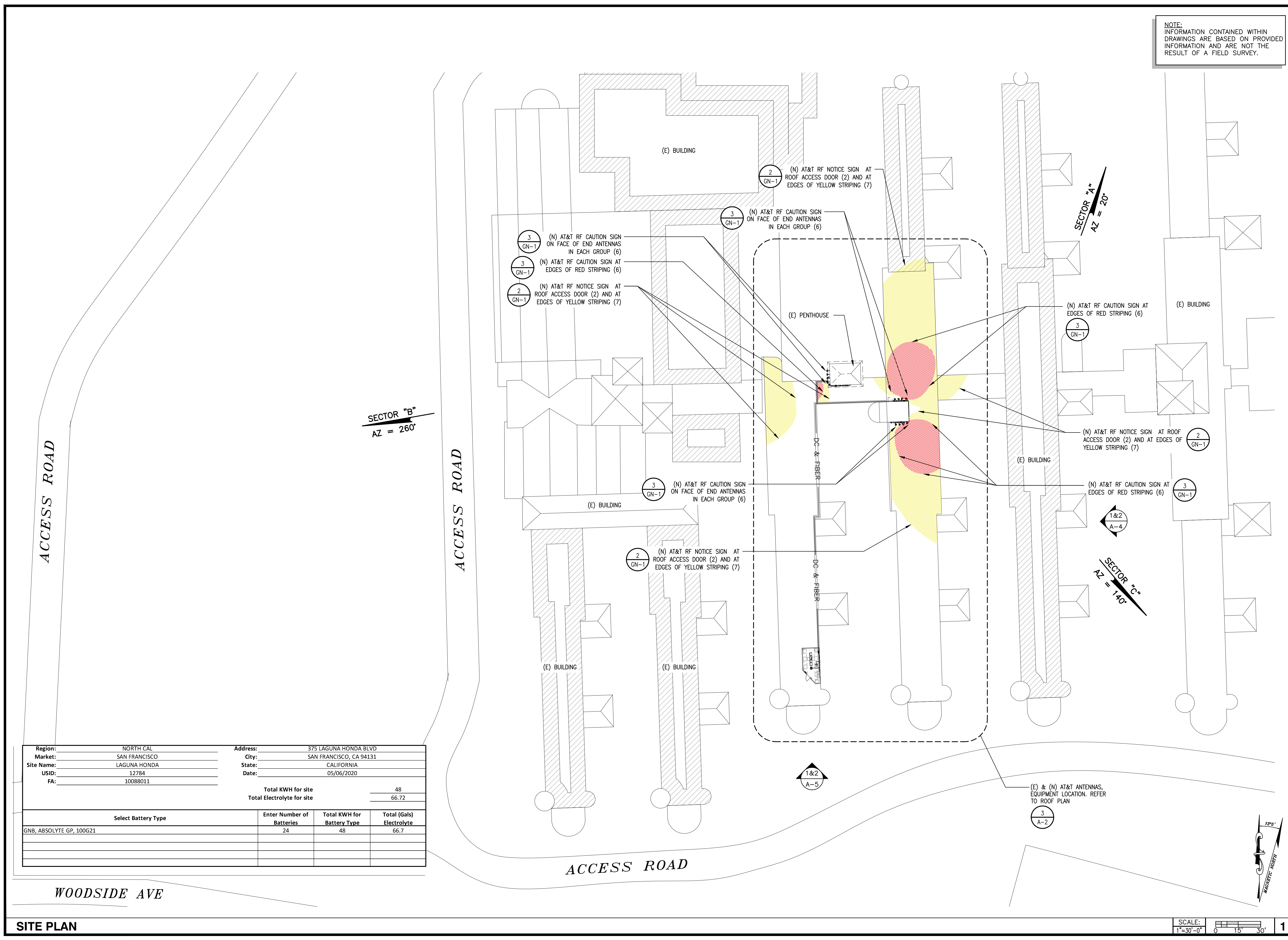


IT IS A VIOLATION OF LAW FOR ANY PERSON, UNLESS THEY ARE ACTING UNDER THE DIRECTION OF A LICENSED PROFESSIONAL ENGINEER, TO ALTER THIS DOCUMENT.

SHEET TITLE
PHOTO SIMS

SHEET NUMBER
PS-1

NOTE:
INFORMATION CONTAINED WITHIN
DRAWINGS ARE BASED ON PROVIDED
INFORMATION AND ARE NOT THE
RESULT OF A FIELD SURVEY.



SECTOR "B"
AZ = 260°

SECTOR "A"
AZ = 20°

SECTOR "C"
AZ = 140°

Region:	NORTH CAL	Address:	375 LAGUNA HONDA BLVD
Market:	SAN FRANCISCO	City:	SAN FRANCISCO, CA 94131
Site Name:	LAGUNA HONDA	State:	CALIFORNIA
USID:	12784	Date:	05/06/2020
FA:	10088011		
		Total KWH for site	48
		Total Electrolyte for site	66.72
Select Battery Type	Enter Number of Batteries	Total KWH for Battery Type	Total (Gals) Electrolyte
GNB, ABSOLYTE GP, 100G21	24	48	66.7

CCL00432
4TX4RX SOFTWARE RETROFIT,
5G NR 1DR-1
LAGUNA HONDA
375 LAGUNA HONDA BLVD
SAN FRANCISCO, CA 94131



PLANS PREPARED BY:
INTELOCITY
DESIGN | BUILD | INNOVATE
1875 Coronado Ave
Signal Hill, CA 90755
A NUWAVE COMPANY

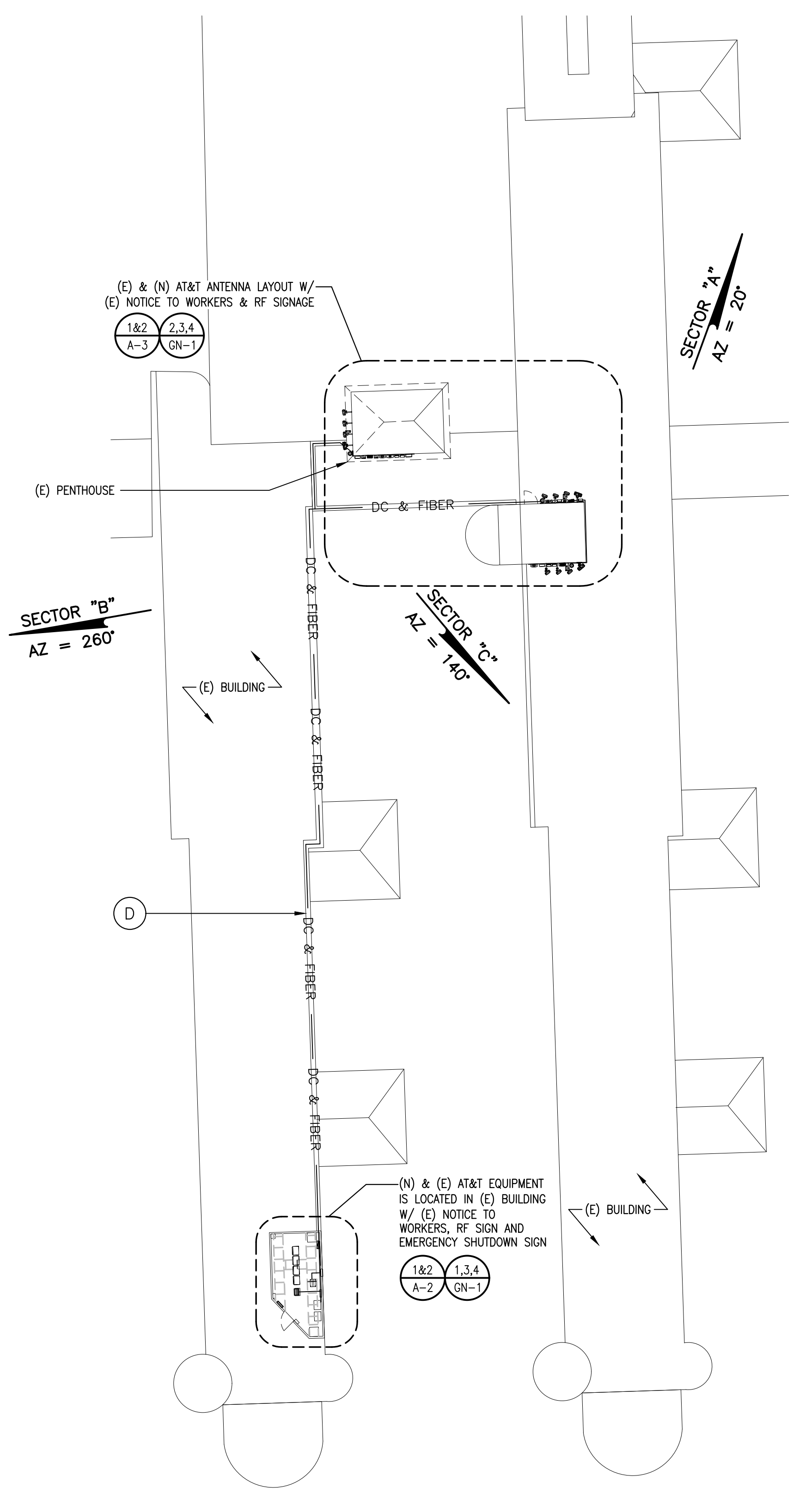
REV	DATE	DESCRIPTION	
4	05/05/20	100% CONSTRUCTION DRAWINGS	JG
3	04/13/20	95% CD AT&T REDLINES	GO
2	03/02/20	90% CONSTRUCTION DRAWINGS	RC/GO
1	02/14/20	85% CONSTRUCTION DRAWINGS	RC
0	10/25/18	80% CONSTRUCTION DRAWINGS	BC



IT IS A VIOLATION OF LAW FOR ANY PERSON,
UNLESS THEY ARE ACTING UNDER THE DIRECTION
OF A LICENSED PROFESSIONAL ENGINEER,
TO ALTER THIS DOCUMENT.

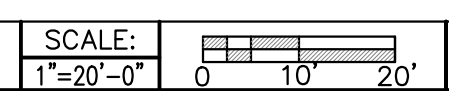
SHEET TITLE
SITE PLAN

SHEET NUMBER
A-1



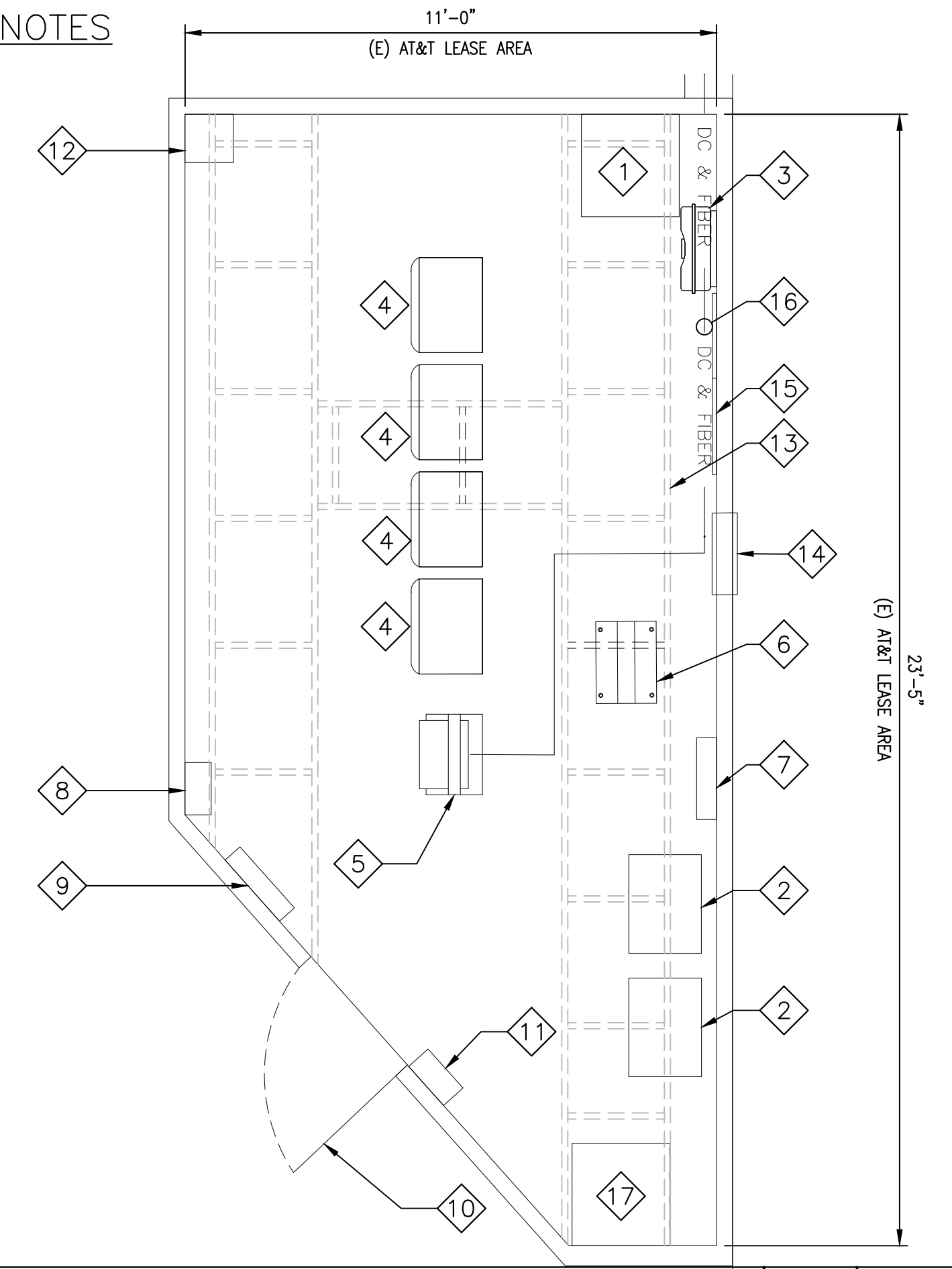
(D) (N) AT&T (2) DC POWER & (1) FIBER TRUNKS PER SECTOR FROM (E) EQUIPMENT LEASE AREA AT GRADE LEVEL TO EACH ANTENNA SECTOR (APPROX.)
 SECTOR "A", 300' ±
 SECTOR "B", 270' ±
 SECTOR "C", 330' ±
 AND TO BE ROUTED ON (E) VERTICAL SLEEPERS TO FOLLOW (E) FIBER & DC POWER TRUNKS

ENLARGED ROOF PLAN

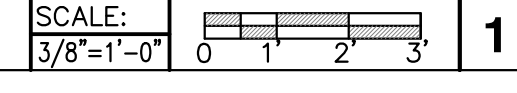


EXISTING EQUIPMENT LAYOUT KEY NOTES

- 1 (E) AT&T HVAC, (TYP. OF 2)
- 2 (E) AT&T GNB ABSOLYTE BATTERIES, (24) TOTAL
- 3 (E) AT&T CIENA UNIT W/ 9EO UAM UNIT BELOW
- 4 (E) AT&T 2206 RBS CABINET (TYP. OF 4)
- 5 (E) AT&T FIF RACK W/ (2) DC-12, (3) DC FIBER BOXES, (2) XMU, (1) 5216, AND (1) SAU 01
- 6 (E) AT&T DC POWER PLANT
- 7 (E) AT&T BATTERY DISCONNECT
- 8 (E) AT&T MAIN AC PANEL
- 9 (E) AT&T SUB PANEL TO BE REMOVED
- 10 (E) AT&T ACCESS DOOR
- 11 (E) AT&T INTERFACE PANEL
- 12 (E) AT&T TABLE
- 13 (E) AT&T CABLE LADDER
- 14 (E) AT&T COAX PORT
- 15 (E) AT&T ELECTRIC EQUIPMENT
- 16 (E) AT&T DC & FIBER TRUNKS
- 17 (E) AT&T AC UNIT

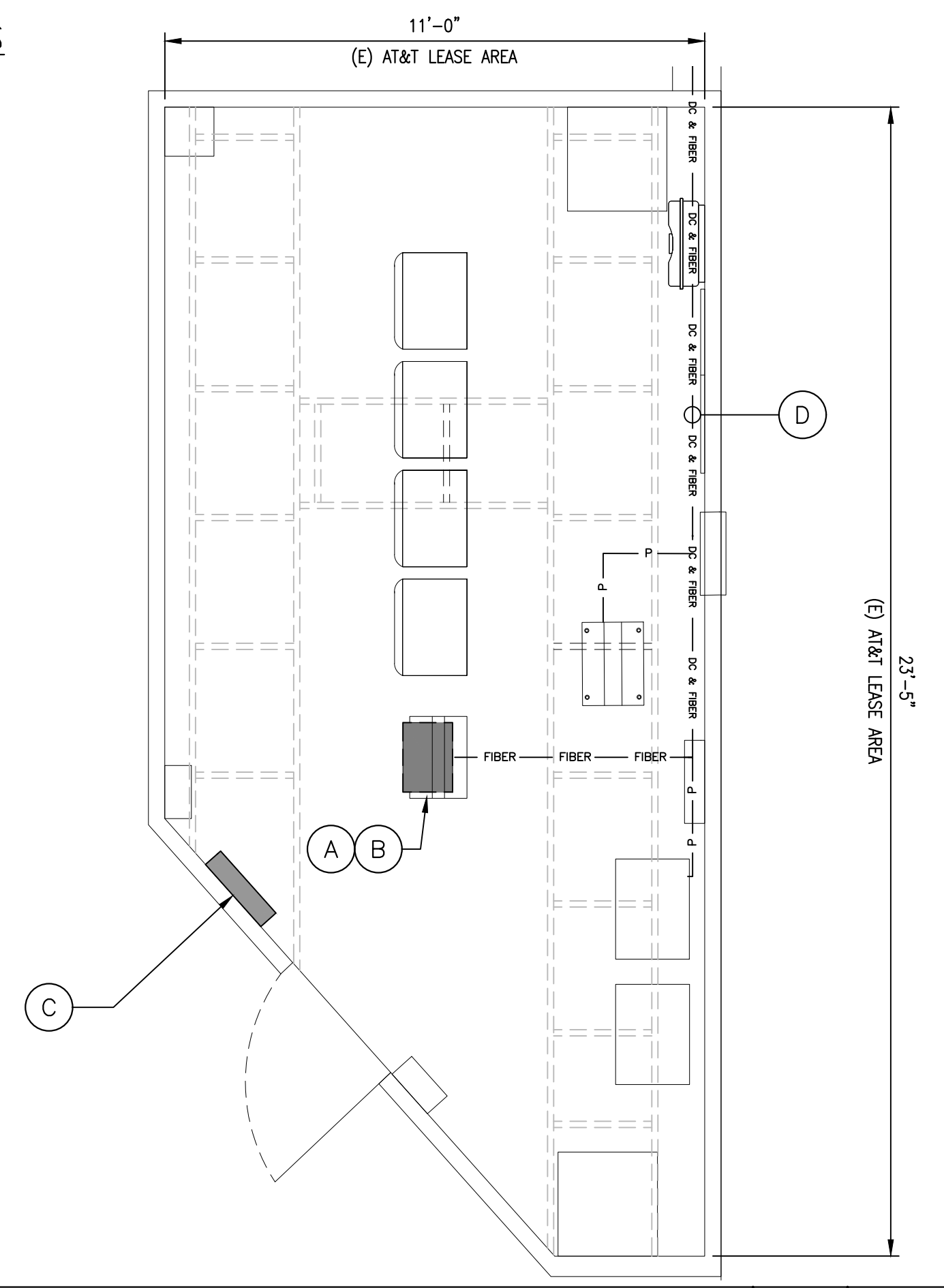


EXISTING EQUIPMENT PLAN AT GRADE LEVEL

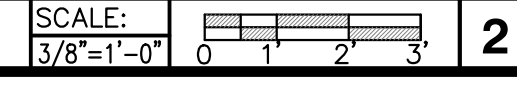


NEW EQUIPMENT LAYOUT KEY NOTES

- (A) (N) (1) AT&T 6630 BASEBAND UNIT INSIDE EXISTING RACK 3
D-1
- (B) (N) (1) AT&T DC-12 SURGE SUPPRESSOR UNIT INSIDE EXISTING RACK 4
D-1
- (C) (N) (1) AT&T 120/208VAC 3-PH 4-WIRE 125A SUB PANEL
- (D) (N) AT&T (2) DC POWER & (1) FIBER TRUNKS PER SECTOR FROM (E) EQUIPMENT LEASE AREA AT GRADE LEVEL TO EACH ANTENNA SECTOR (APPROX.)
 SECTOR "A", 300' ±
 SECTOR "B", 270' ±
 SECTOR "C", 330' ±
 AND TO BE ROUTED ON (E) VERTICAL SLEEPERS TO FOLLOW (E) FIBER & DC POWER TRUNKS



NEW EQUIPMENT PLAN AT GRADE LEVEL



CCL00432
 4TX4RX SOFTWARE RETROFIT,
 5G NR 1DR-1
 LAGUNA HONDA
 375 LAGUNA HONDA BLVD
 SAN FRANCISCO, CA 94131



5001 EXECUTIVE PKWY
 SAN RAMON, CA 94583



2360 CIVIC DRIVE., STE. C
 PLEASANT HILL, CA 94523

PLANS PREPARED BY:
INTELOCITY
 DESIGN | BUILD | INNOVATE
 1875 Coronado Ave
 Signal Hill, CA 90755
 A NUWAVE COMPANY

REV	DATE	DESCRIPTION	
4	05/05/20	100% CONSTRUCTION DRAWINGS	JG
3	04/13/20	95% CD AT&T REDLINES	GO
2	03/02/20	90% CONSTRUCTION DRAWINGS	RC/GO
1	02/14/20	85% CONSTRUCTION DRAWINGS	RC
0	10/25/18	80% CONSTRUCTION DRAWINGS	BC



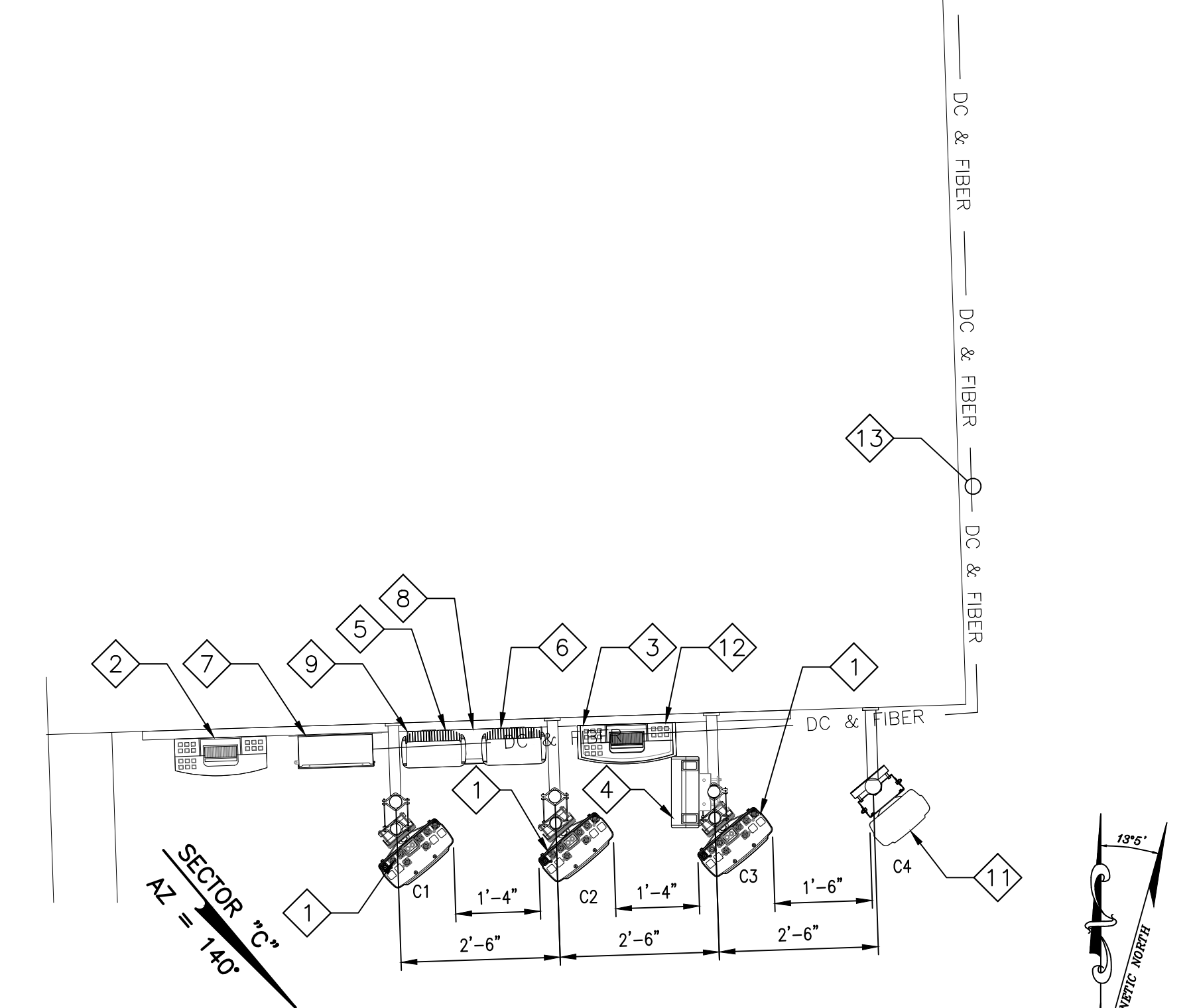
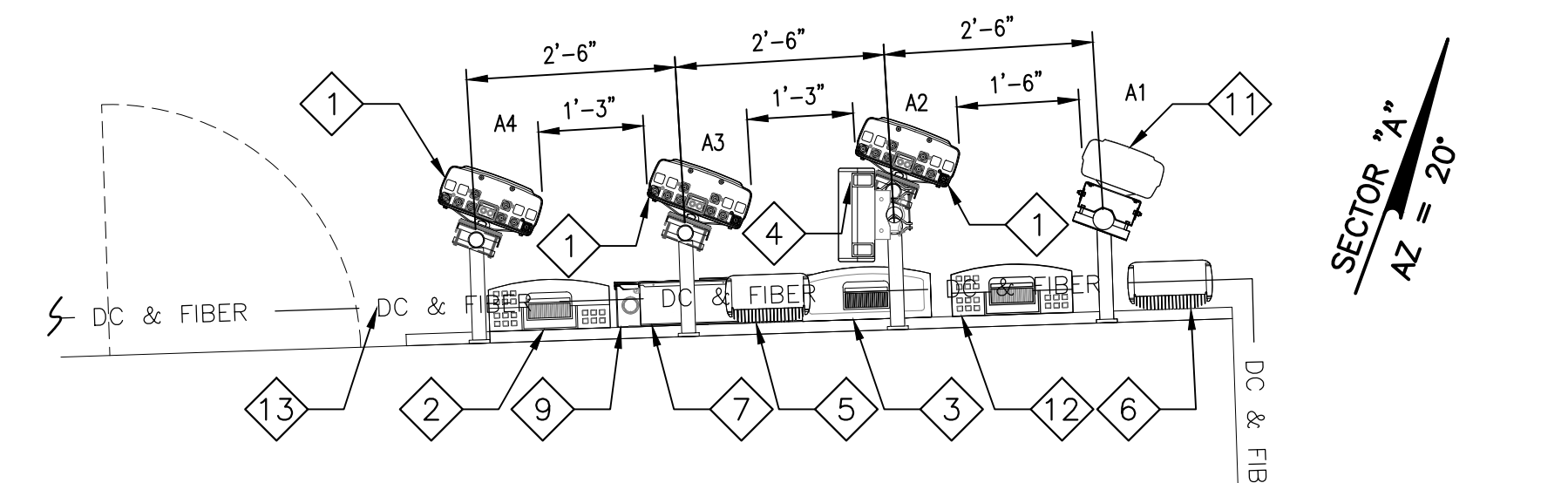
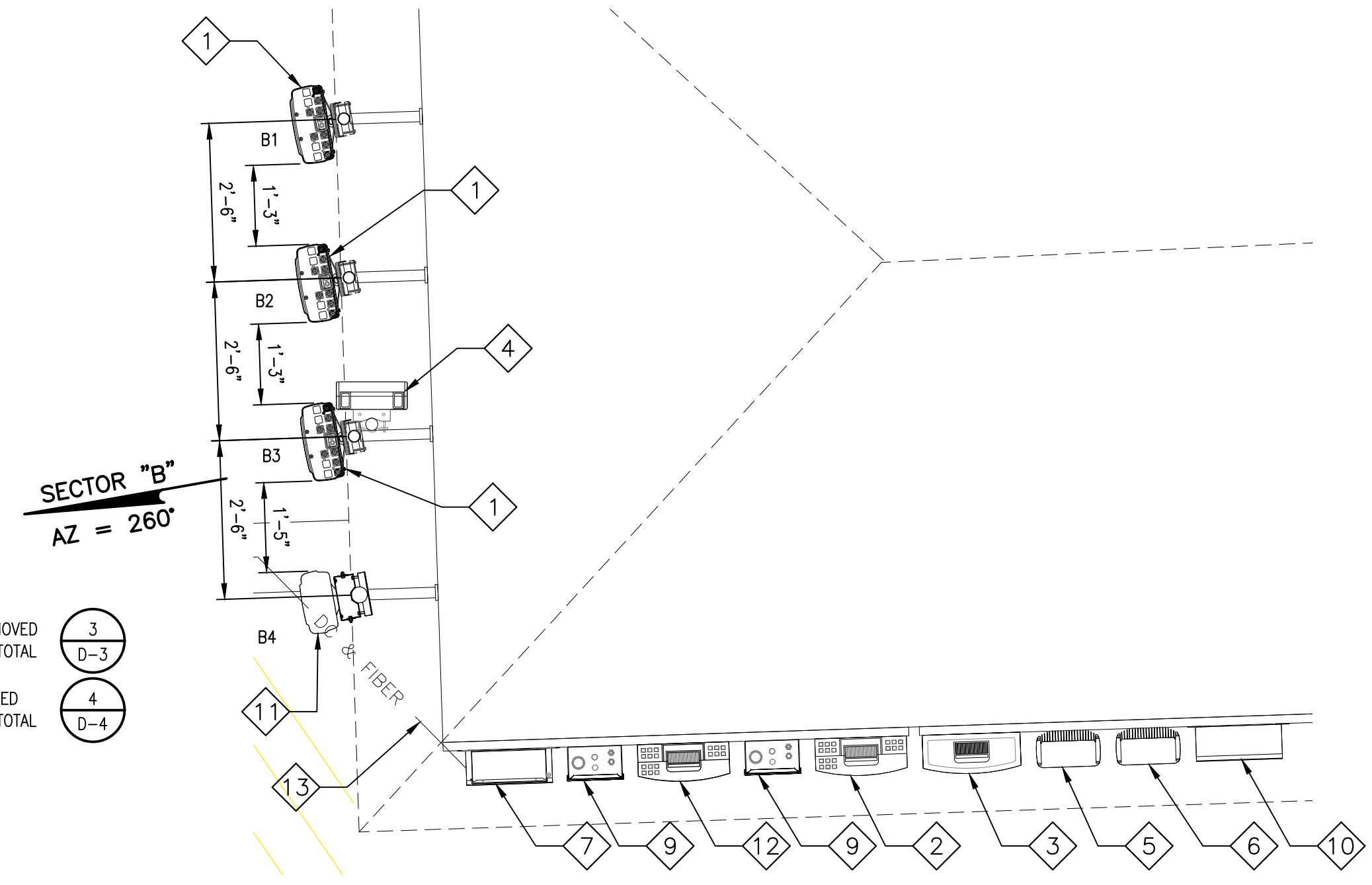
IT IS A VIOLATION OF LAW FOR ANY PERSON, UNLESS THEY ARE ACTING UNDER THE DIRECTION OF A LICENSED PROFESSIONAL ENGINEER, TO ALTER THIS DOCUMENT.

SHEET TITLE
**ENLARGED ROOF PLAN
 AND EQUIPMENT LAYOUT**

SHEET NUMBER
A-2

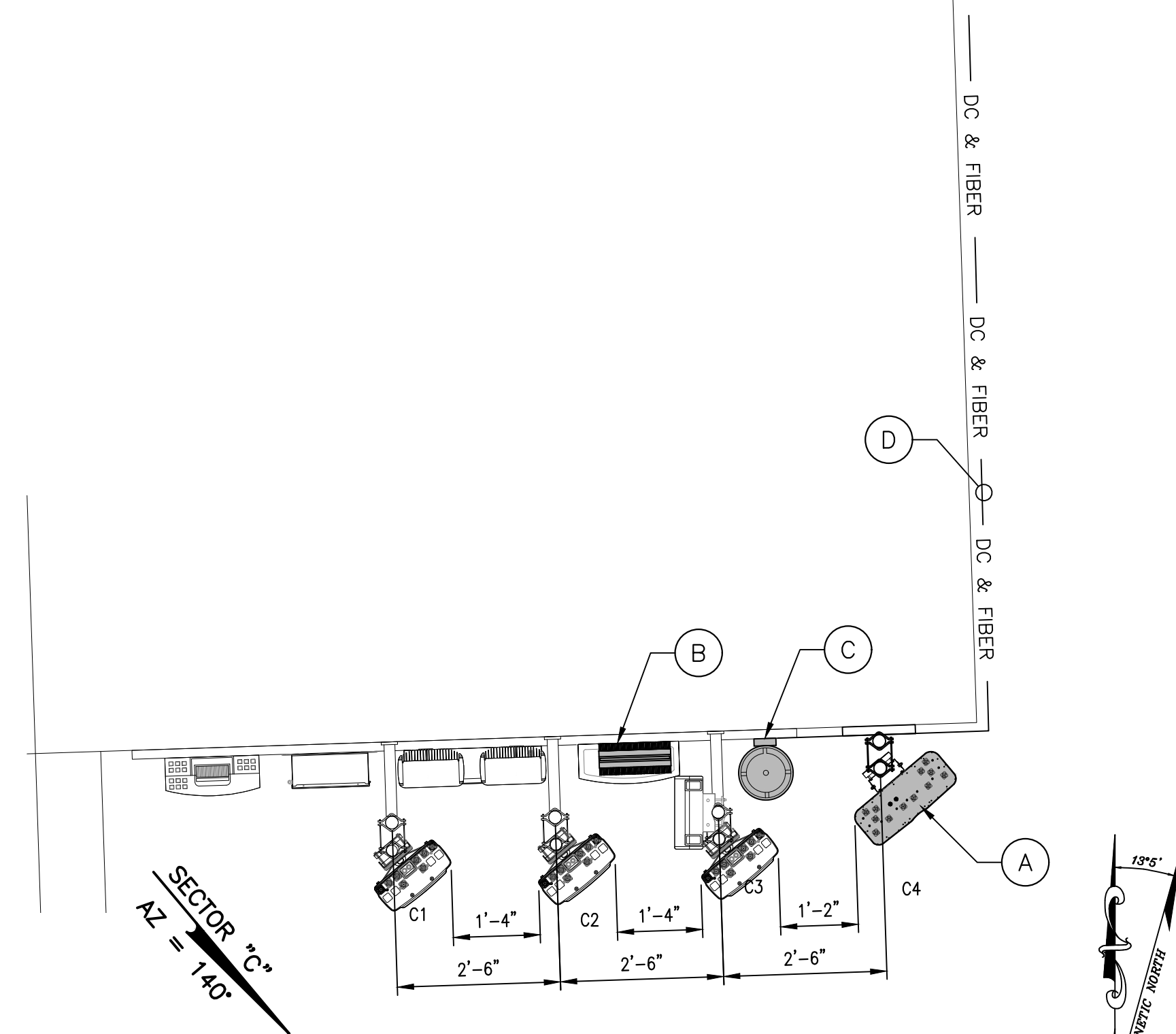
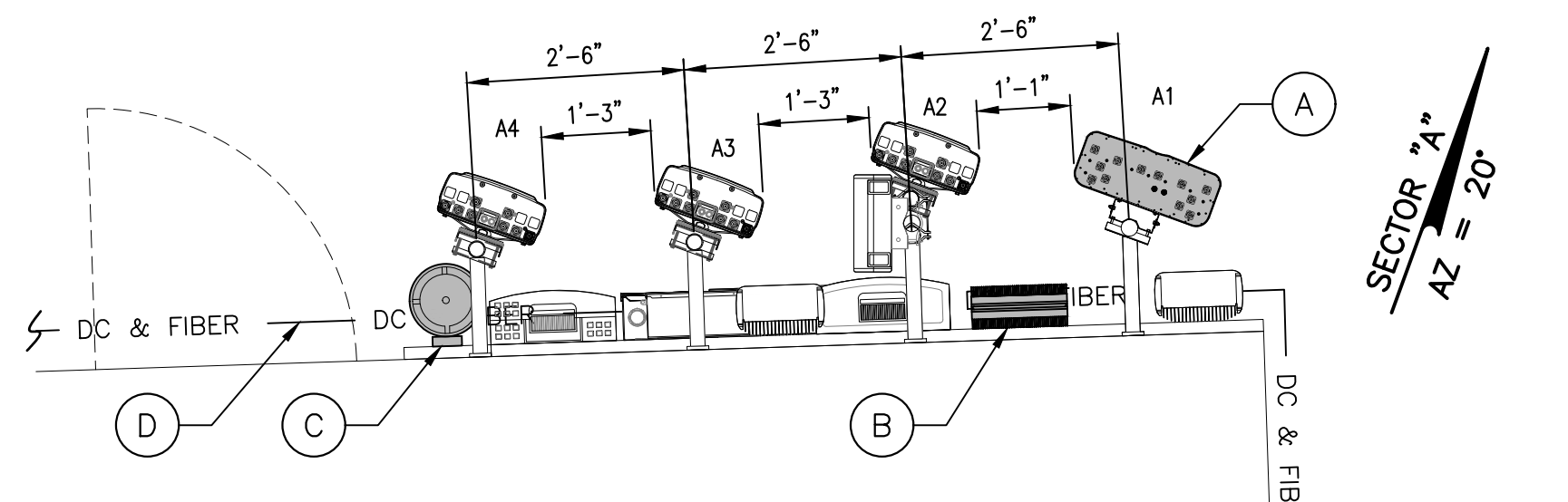
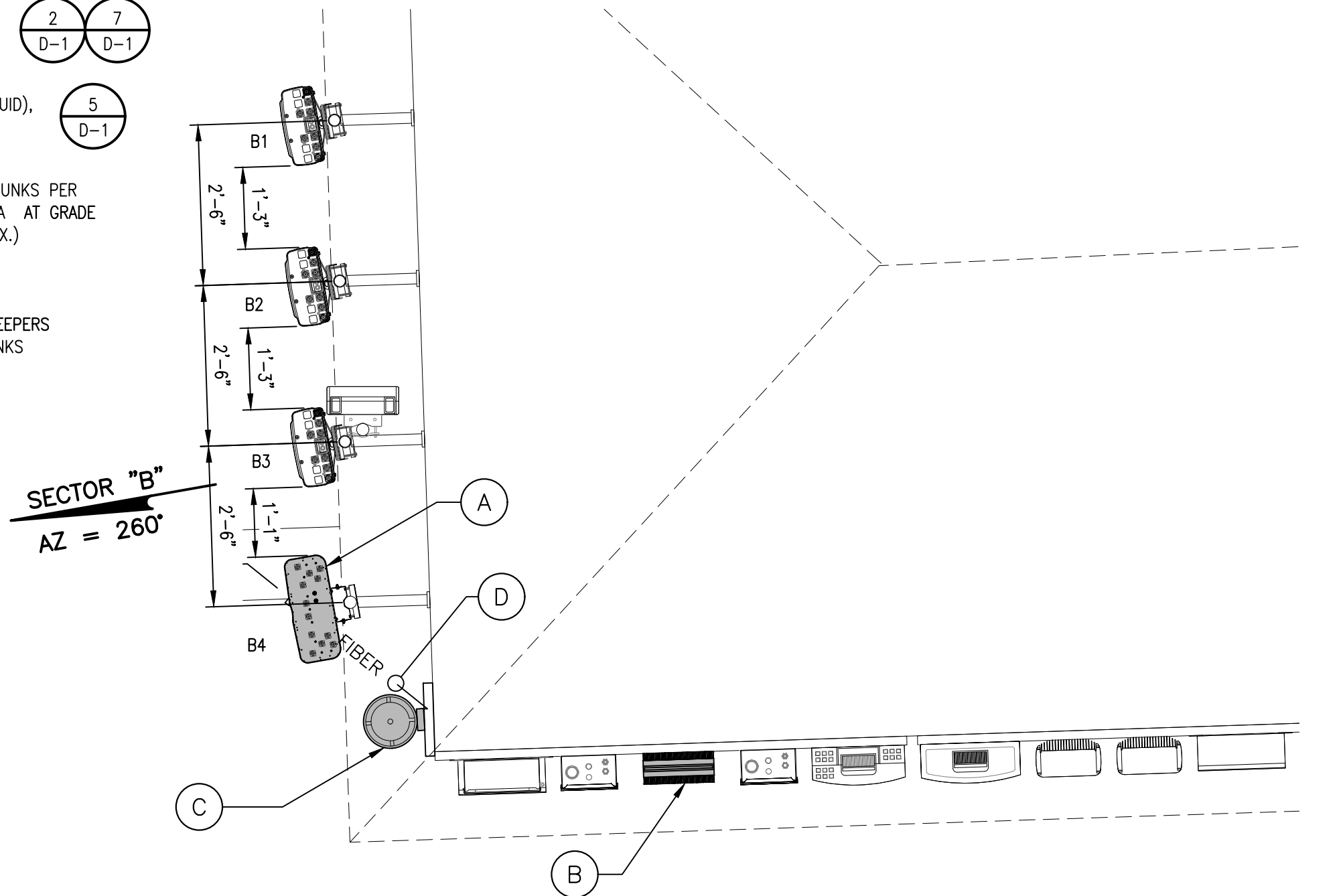
EXISTING ANTENNA LAYOUT KEY NOTES

- 1 (E) AT&T PANEL ANTENNAS TO REMAIN (3) PER SECTOR, (9) TOTAL
- 2 (E) AT&T RRU5-11 B2 TO REMAIN (1) PER SECTOR, (3) TOTAL
- 3 (E) AT&T RRU5-12 B5 TO REMAIN (1) PER SECTOR, (3) TOTAL
- 4 (E) AT&T RRU5-4478 B14 TO REMAIN (1) PER SECTOR, (3) TOTAL
- 5 (E) AT&T RRU5-32 B30 TO REMAIN (1) PER SECTOR, (3) TOTAL
- 6 (E) AT&T RRU5-32 B66 TO REMAIN (1) PER SECTOR, (3) TOTAL
- 7 (E) AT&T DC6 TO REMAIN (1) PER SECTOR, (3) TOTAL
- 8 (E) AT&T FC12 TO REMAIN (1) PER SECTOR, (3) TOTAL
- 9 (E) AT&T DC2 TO REMAIN (2) PER SECTOR, (6) TOTAL
- 10 (E) AT&T FIBER BOX TO REMAIN
- 11 (E) AT&T PANEL ANTENNAS TO BE REMOVED AND REPLACED (1) PER SECTOR, (3) TOTAL
- 12 (E) AT&T RRU5-11 B12 TO BE REMOVED AND REPLACED (1) PER SECTOR, (3) TOTAL
- 13 (E) AT&T DC & FIBER TRUNKS



NEW ANTENNA LAYOUT KEY NOTES

- A (N) AT&T COMMSCOPE 8 PORT NNH4-65A-R6H4 PANEL ANTENNA (1) PER SECTOR (3) TOTAL
- B (N) AT&T RRU5-4449 B5/B12, (1) PER SECTOR (3) TOTAL
- C (N) AT&T DC-9 SURGE SUPPRESSOR (SQUID), (1) PER SECTOR, (3) TOTAL
- D (N) AT&T (2) DC POWER & (1) FIBER TRUNKS PER SECTOR FROM (E) EQUIPMENT LEASE AREA AT GRADE LEVEL TO EACH ANTENNA SECTOR (APPROX.)
SECTOR "A", 300' ±
SECTOR "B", 270' ±
SECTOR "C", 330' ±
AND TO BE ROUTED ON (E) VERTICAL SLEEPERS TO FOLLOW (E) FIBER & DC POWER TRUNKS



CCL00432
4TX4RX SOFTWARE RETROFIT,
5G NR 1DR-1
LAGUNA HONDA
375 LAGUNA HONDA BLVD
SAN FRANCISCO, CA 94131



PLANS PREPARED BY:
INTELOCITY
DESIGN | BUILD | INNOVATE
1875 Coronado Ave
Signal Hill, CA 90755
A NUWAVE COMPANY

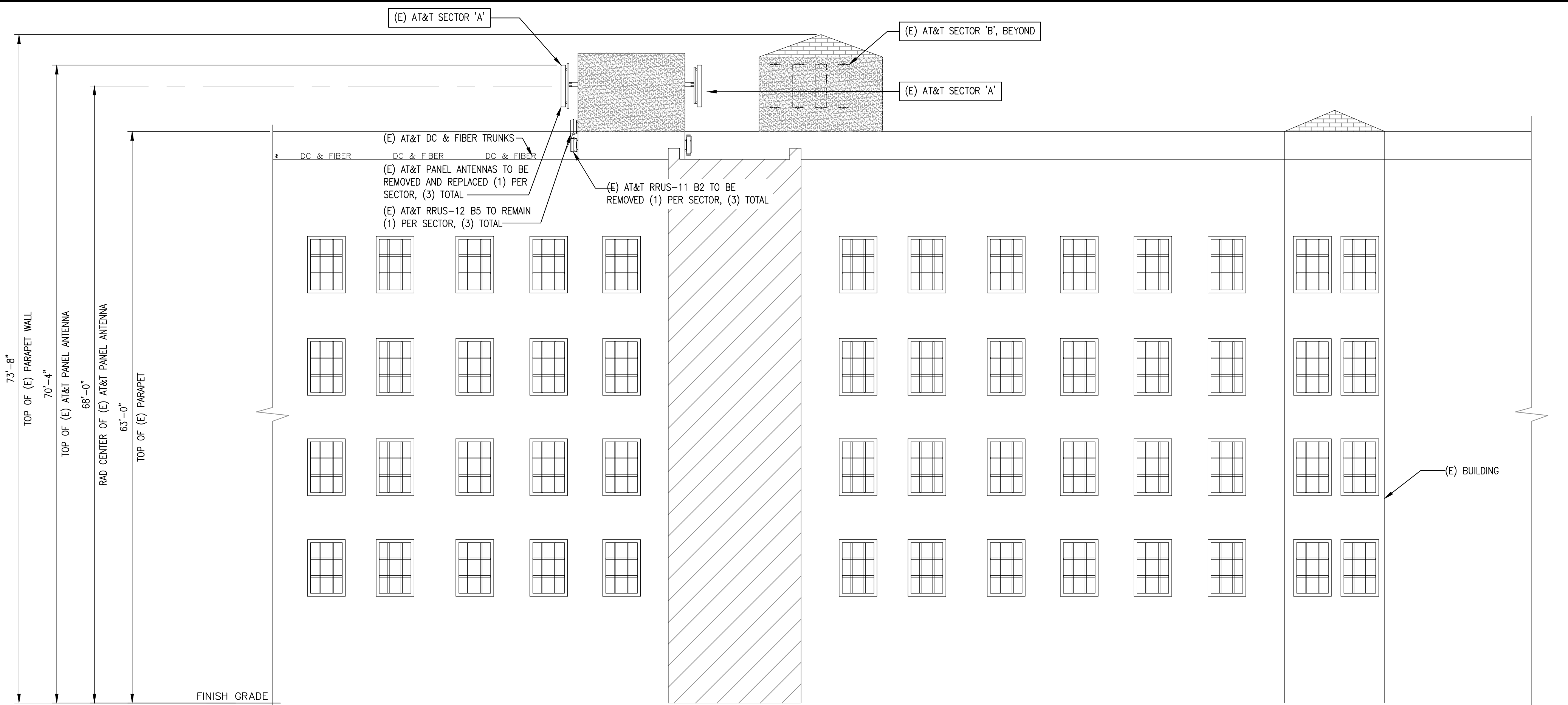
REV	DATE	DESCRIPTION	
4	05/05/20	100% CONSTRUCTION DRAWINGS	JG
3	04/13/20	95% CD AT&T REDLINES	GO
2	03/02/20	90% CONSTRUCTION DRAWINGS	RC/GO
1	02/14/20	85% CONSTRUCTION DRAWINGS	RC
0	10/25/18	80% CONSTRUCTION DRAWINGS	BC



IT IS A VIOLATION OF LAW FOR ANY PERSON, UNLESS THEY ARE ACTING UNDER THE DIRECTION OF A LICENSED PROFESSIONAL ENGINEER, TO ALTER THIS DOCUMENT.

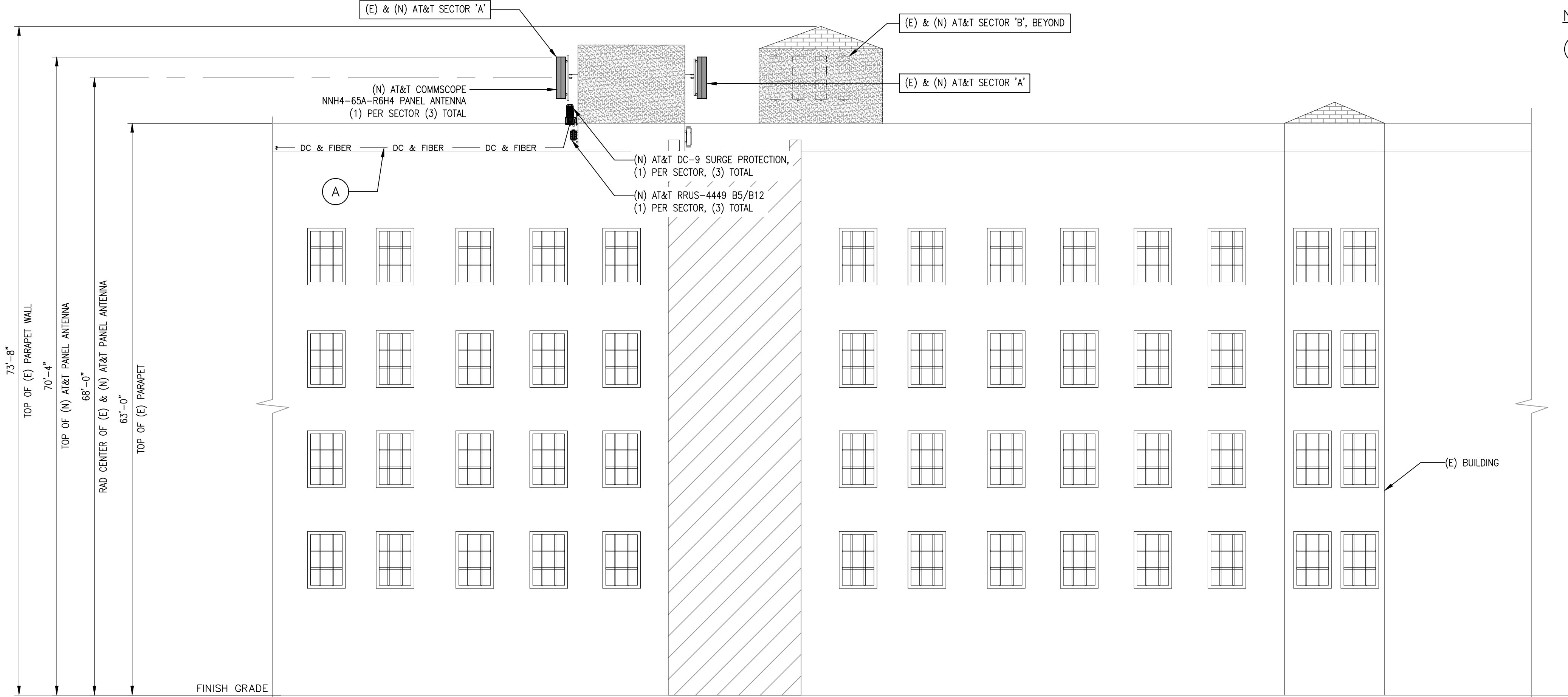
SHEET TITLE
EXISTING ANTENNA LAYOUT

SHEET NUMBER
A-3



EXISTING EAST ELEVATION

SCALE: 1/8"=1'-0" 0 4 8 1



NEW EAST ELEVATION

SCALE: 1/8"=1'-0" 0 4 8 2

NEW DC & FIBER TRUNKS

- (A) NEW AT&T (2) DC POWER & (1) FIBER TRUNKS PER SECTOR FROM (E) EQUIPMENT LEASE AREA AT GRADE LEVEL TO EACH ANTENNA SECTOR (APPROX.)
- SECTOR "A", 300' ±
- SECTOR "B", 270' ±
- SECTOR "C", 330' ±
- AND TO BE ROUTED ON (E) VERTICAL SLEEPERS TO FOLLOW (E) FIBER & DC POWER TRUNKS

CCL00432
4TX4RX SOFTWARE RETROFIT,
5G NR 1DR-1
LAGUNA HONDA
375 LAGUNA HONDA BLVD
SAN FRANCISCO, CA 94131



5001 EXECUTIVE PKWY
SAN RAMON, CA 94583



2360 CIVIC DRIVE., STE. C
PLEASANT HILL, CA 94523

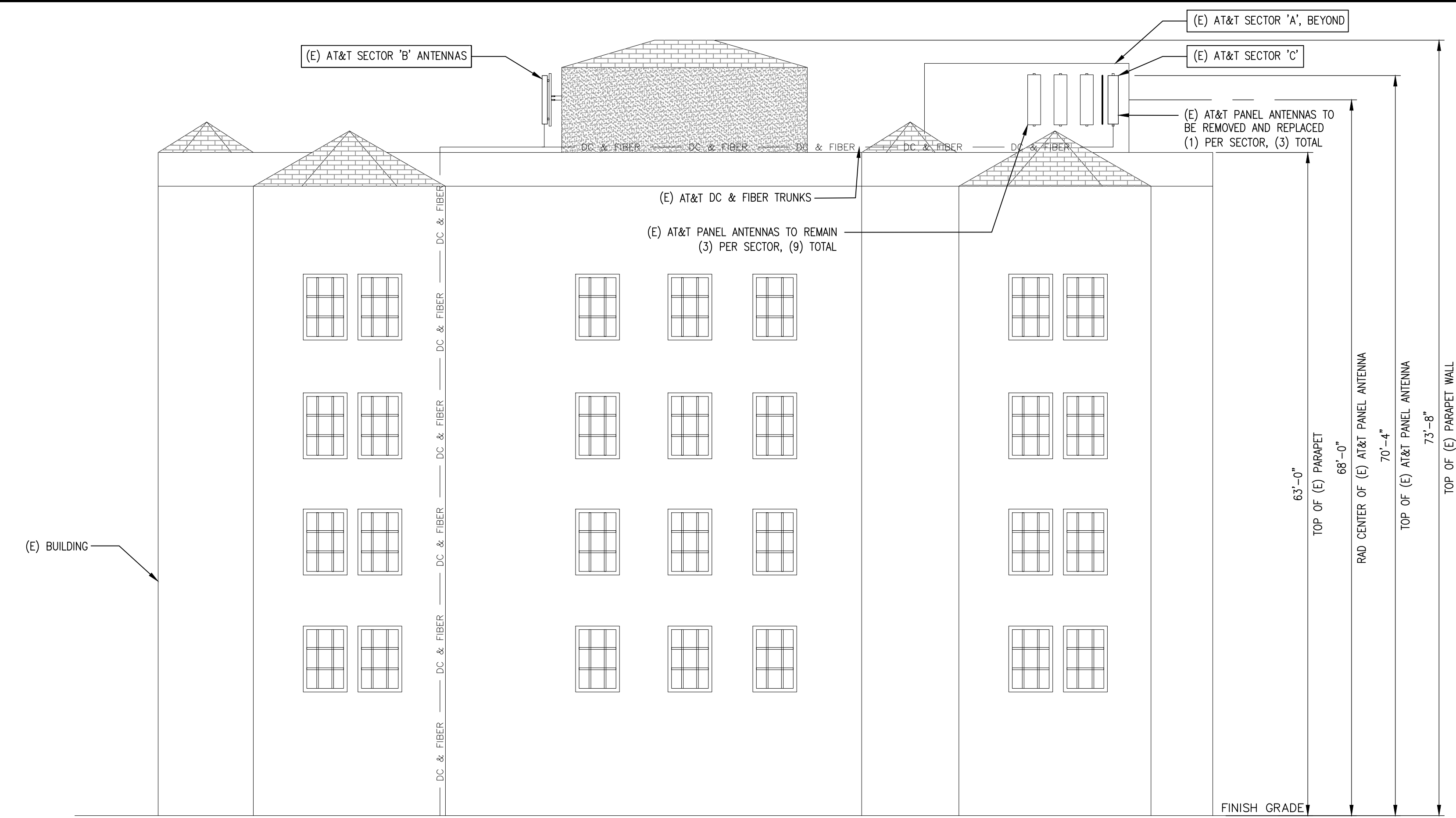
PLANS PREPARED BY:
INTELOCITY
DESIGN | BUILD | INNOVATE
1875 Coronado Ave
Signal Hill, CA 90755
A NUWAVE COMPANY

REV	DATE	DESCRIPTION	
4	05/05/20	100% CONSTRUCTION DRAWINGS	JG
3	04/13/20	95% CD AT&T REDLINES	GO
2	03/02/20	90% CONSTRUCTION DRAWINGS	RC/GO
1	02/14/20	85% CONSTRUCTION DRAWINGS	RC
0	10/25/18	80% CONSTRUCTION DRAWINGS	BC



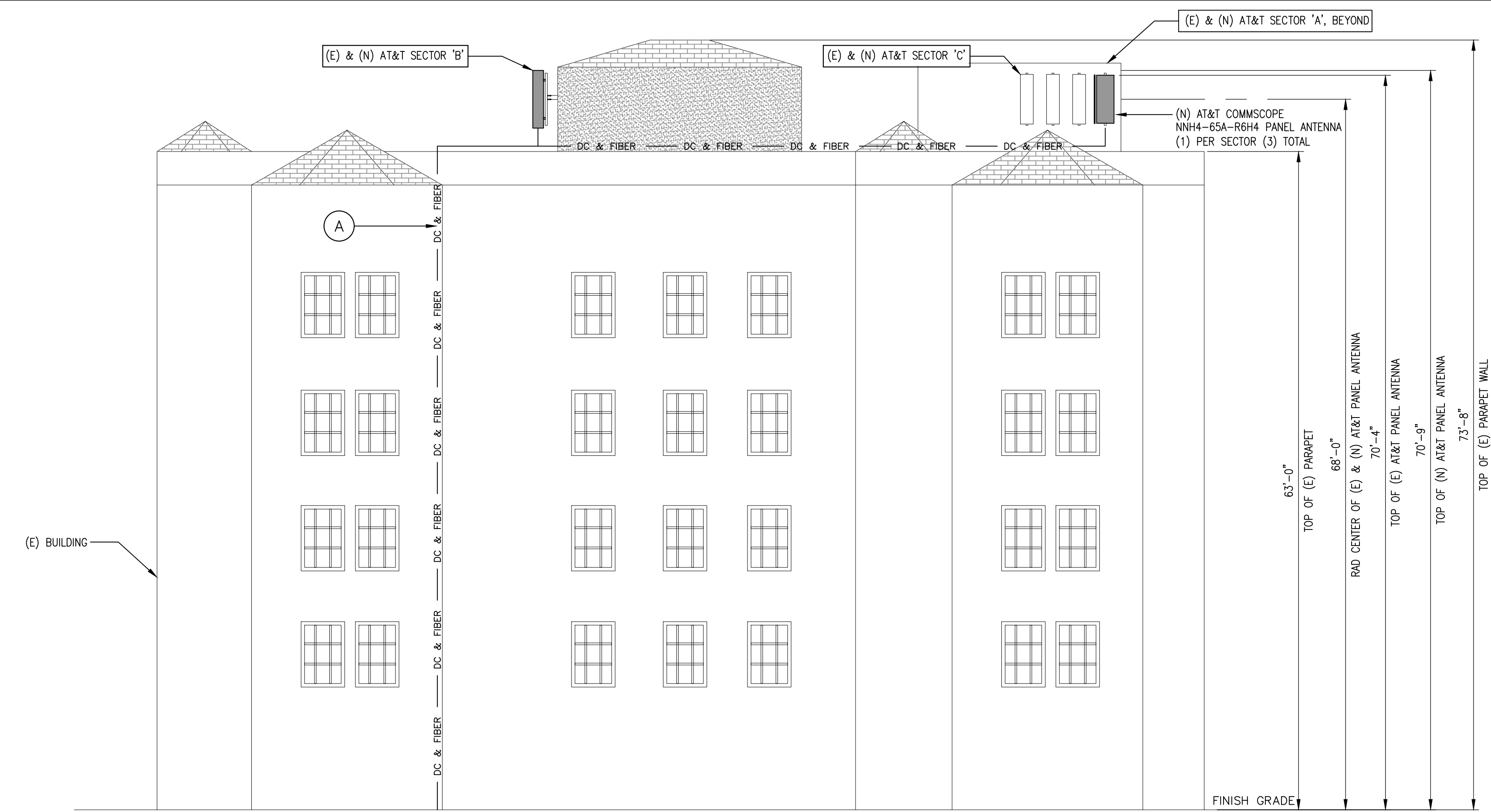
IT IS A VIOLATION OF LAW FOR ANY PERSON, UNLESS THEY ARE ACTING UNDER THE DIRECTION OF A LICENSED PROFESSIONAL ENGINEER, TO ALTER THIS DOCUMENT.

SHEET TITLE
ELEVATION
SHEET NUMBER
A-4



EXISTING SOUTH ELEVATION

SCALE: 1/8"=1'-0" 0 4 8 1



NEW SOUTH ELEVATION

SCALE: 1/8"=1'-0" 0 4 8 2

NEW DC & FIBER TRUNKS
 (A) NEW AT&T (2) DC POWER & (1) FIBER TRUNKS PER SECTOR FROM (E) EQUIPMENT LEASE AREA AT GRADE LEVEL TO EACH ANTENNA SECTOR (APPROX.)
 SECTOR "A", 300' ±
 SECTOR "B", 270' ±
 SECTOR "C", 330' ±
 AND TO BE ROUTED ON (E) VERTICAL SLEEPERS TO FOLLOW (E) FIBER & DC POWER TRUNKS

CCL00432
 4TX4RX SOFTWARE RETROFIT,
 5G NR 1DR-1
 LAGUNA HONDA
 375 LAGUNA HONDA BLVD
 SAN FRANCISCO, CA 94131



PLANS PREPARED BY:
INTELOCITY
 DESIGN | BUILD | INNOVATE
 1875 Coronado Ave
 Signal Hill, CA 90755
 A NUWAVE COMPANY

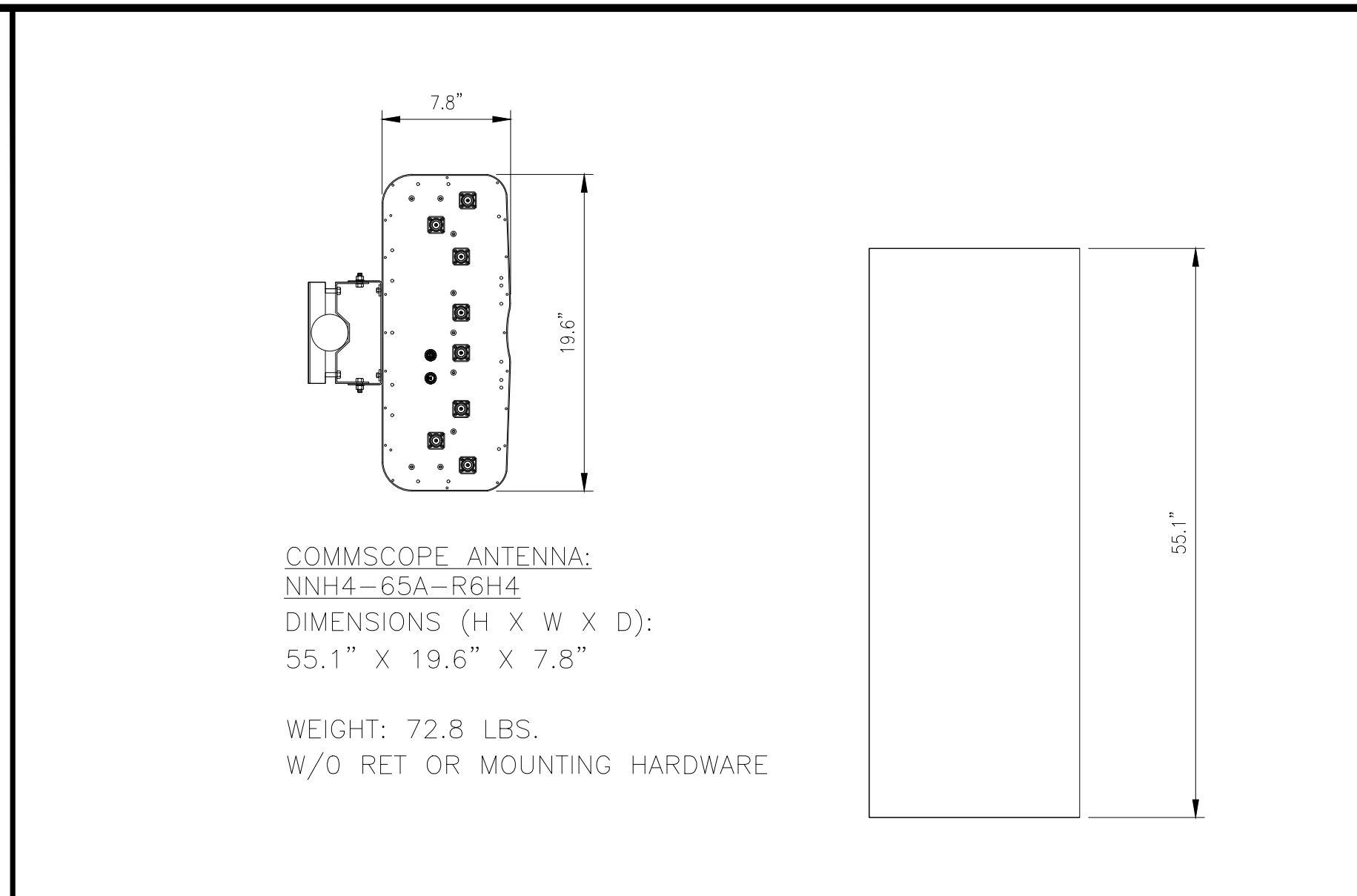
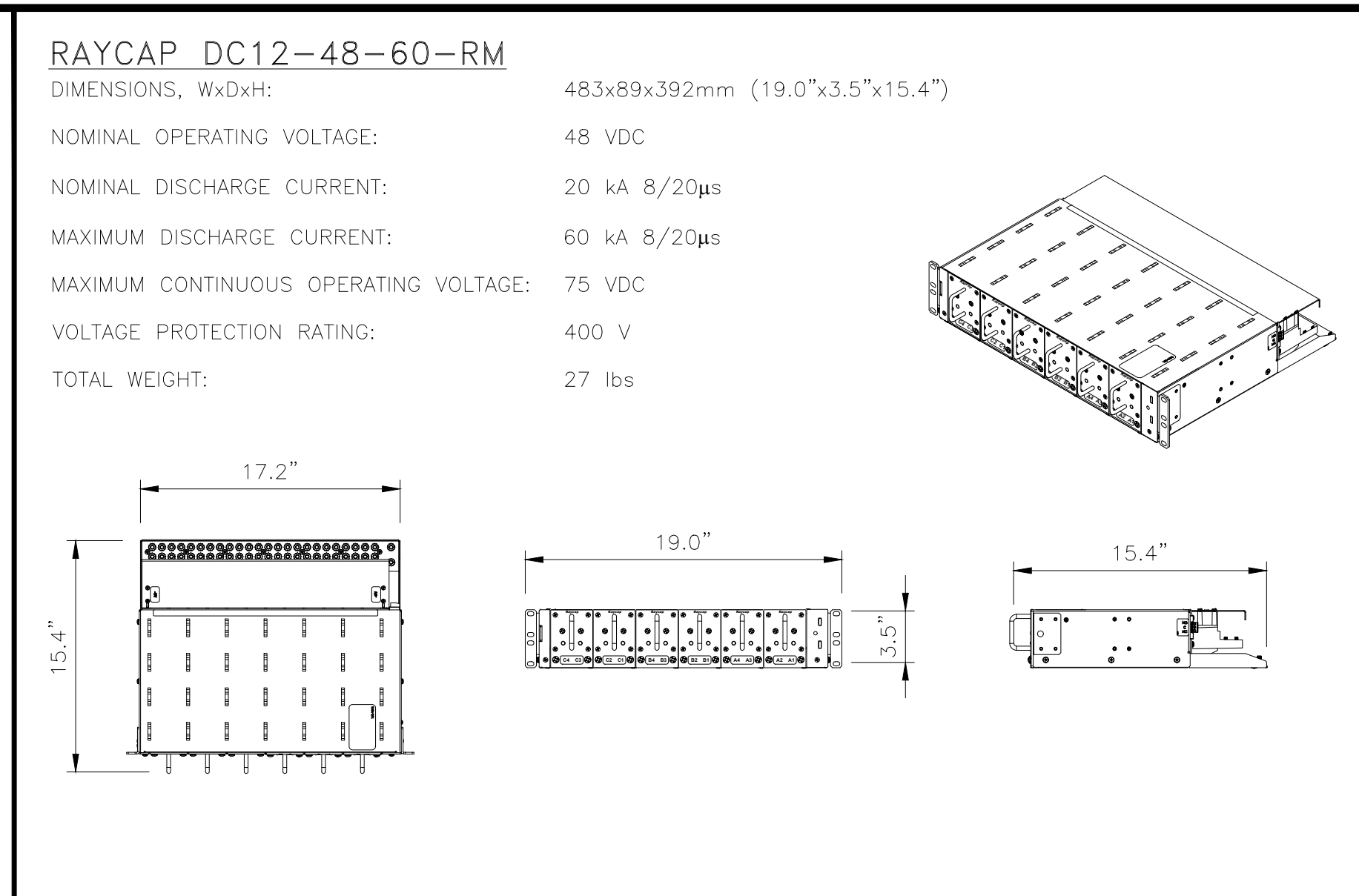
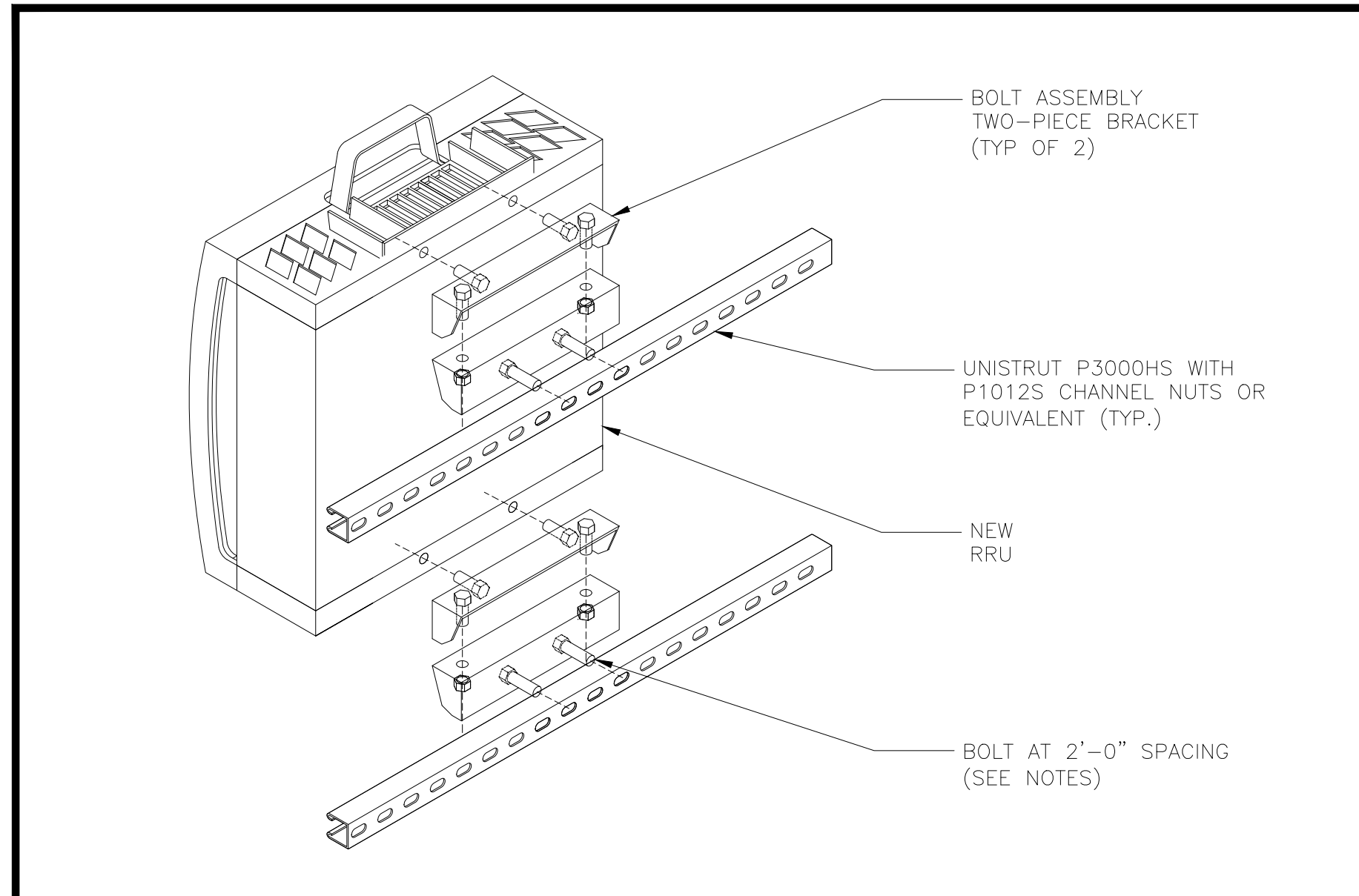
REV	DATE	DESCRIPTION	
4	05/05/20	100% CONSTRUCTION DRAWINGS	JG
3	04/13/20	95% CD AT&T REDLINES	GO
2	03/02/20	90% CONSTRUCTION DRAWINGS	RC/GO
1	02/14/20	85% CONSTRUCTION DRAWINGS	RC
0	10/25/18	80% CONSTRUCTION DRAWINGS	BC

REV	DATE	DESCRIPTION	
4	05/05/20	100% CONSTRUCTION DRAWINGS	JG
3	04/13/20	95% CD AT&T REDLINES	GO
2	03/02/20	90% CONSTRUCTION DRAWINGS	RC/GO
1	02/14/20	85% CONSTRUCTION DRAWINGS	RC
0	10/25/18	80% CONSTRUCTION DRAWINGS	BC

IT IS A VIOLATION OF LAW FOR ANY PERSON, UNLESS THEY ARE ACTING UNDER THE DIRECTION OF A LICENSED PROFESSIONAL ENGINEER, TO ALTER THIS DOCUMENT.

SHEET TITLE
ELEVATION

SHEET NUMBER
A-5

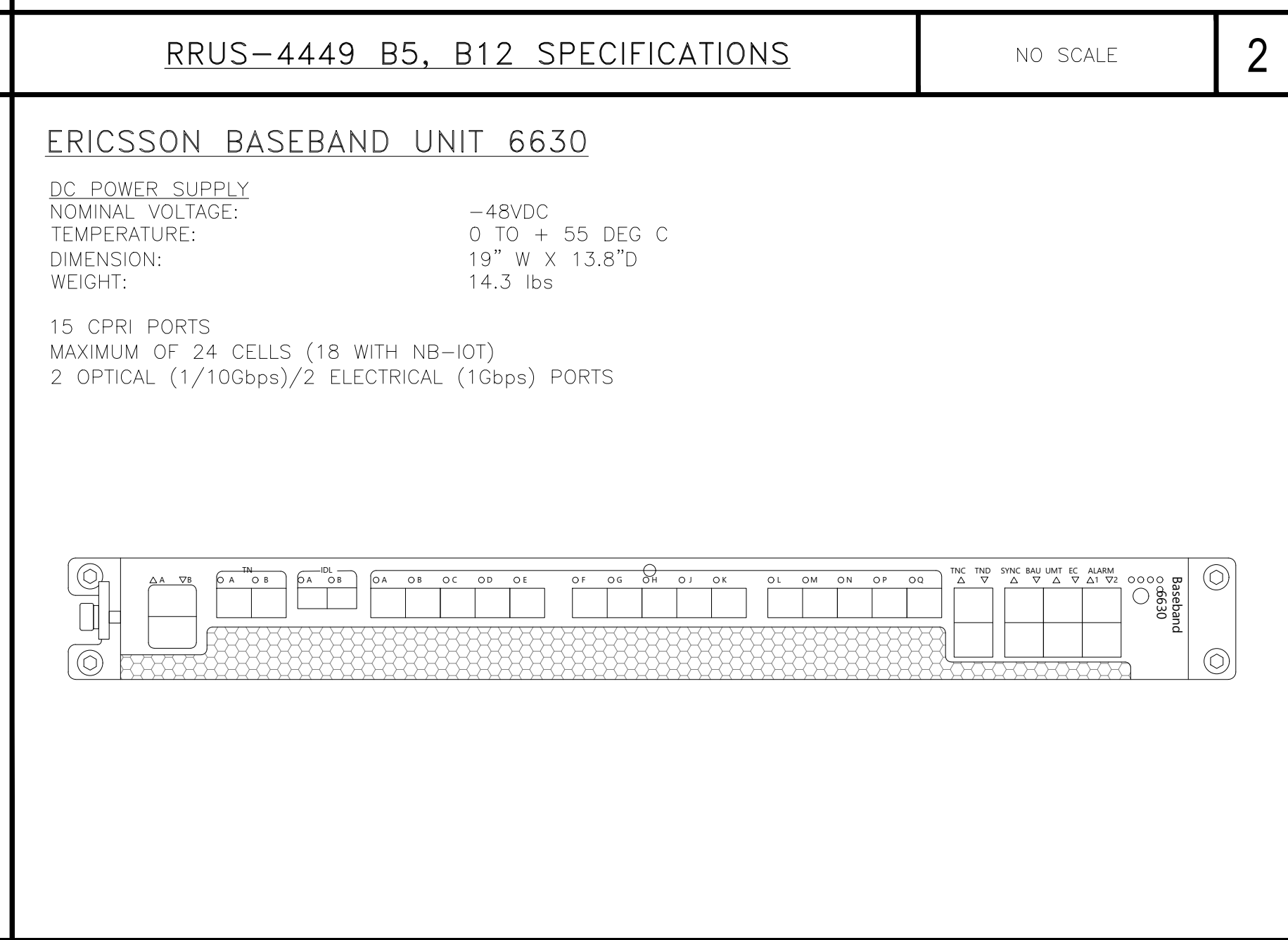
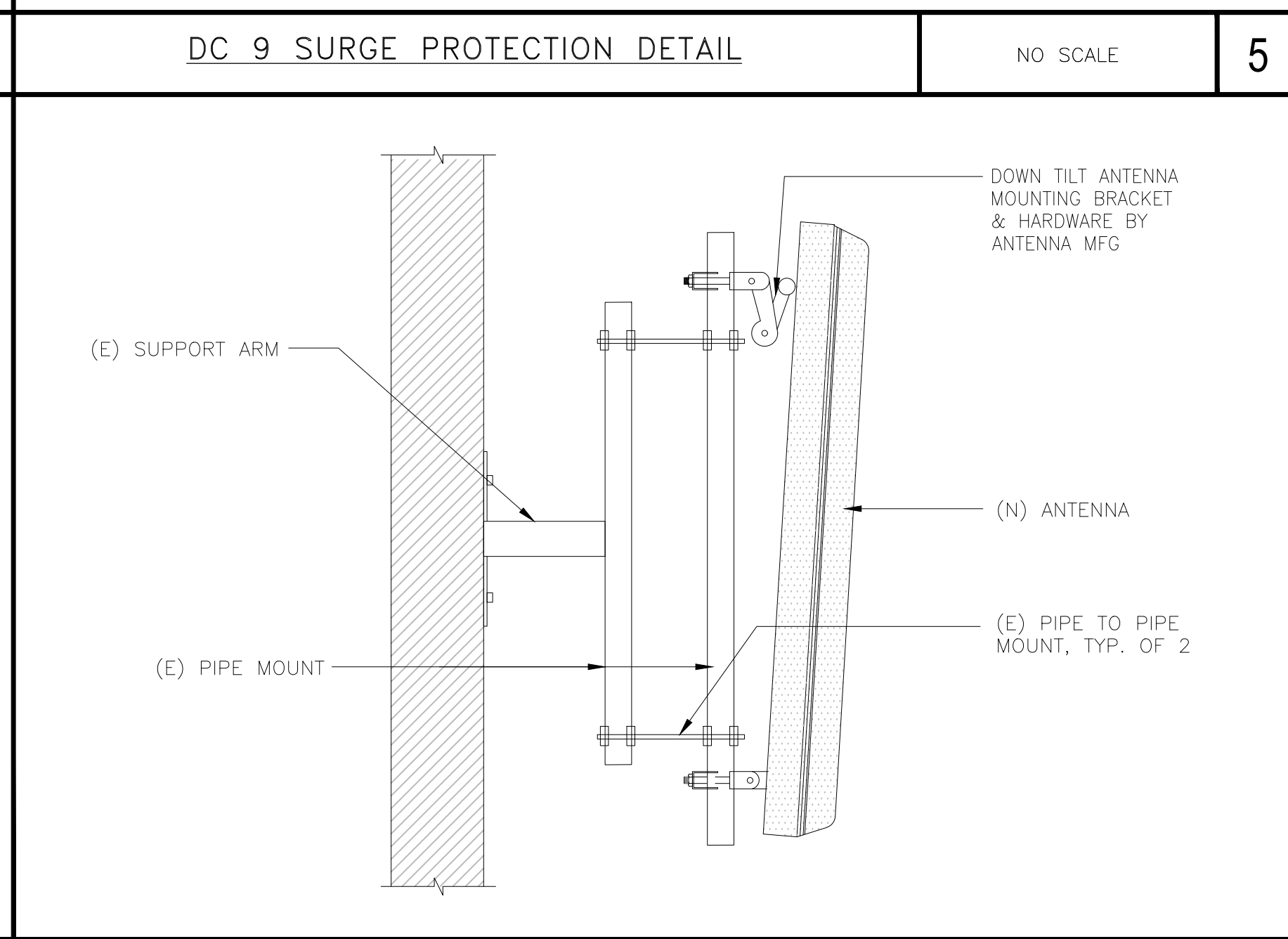
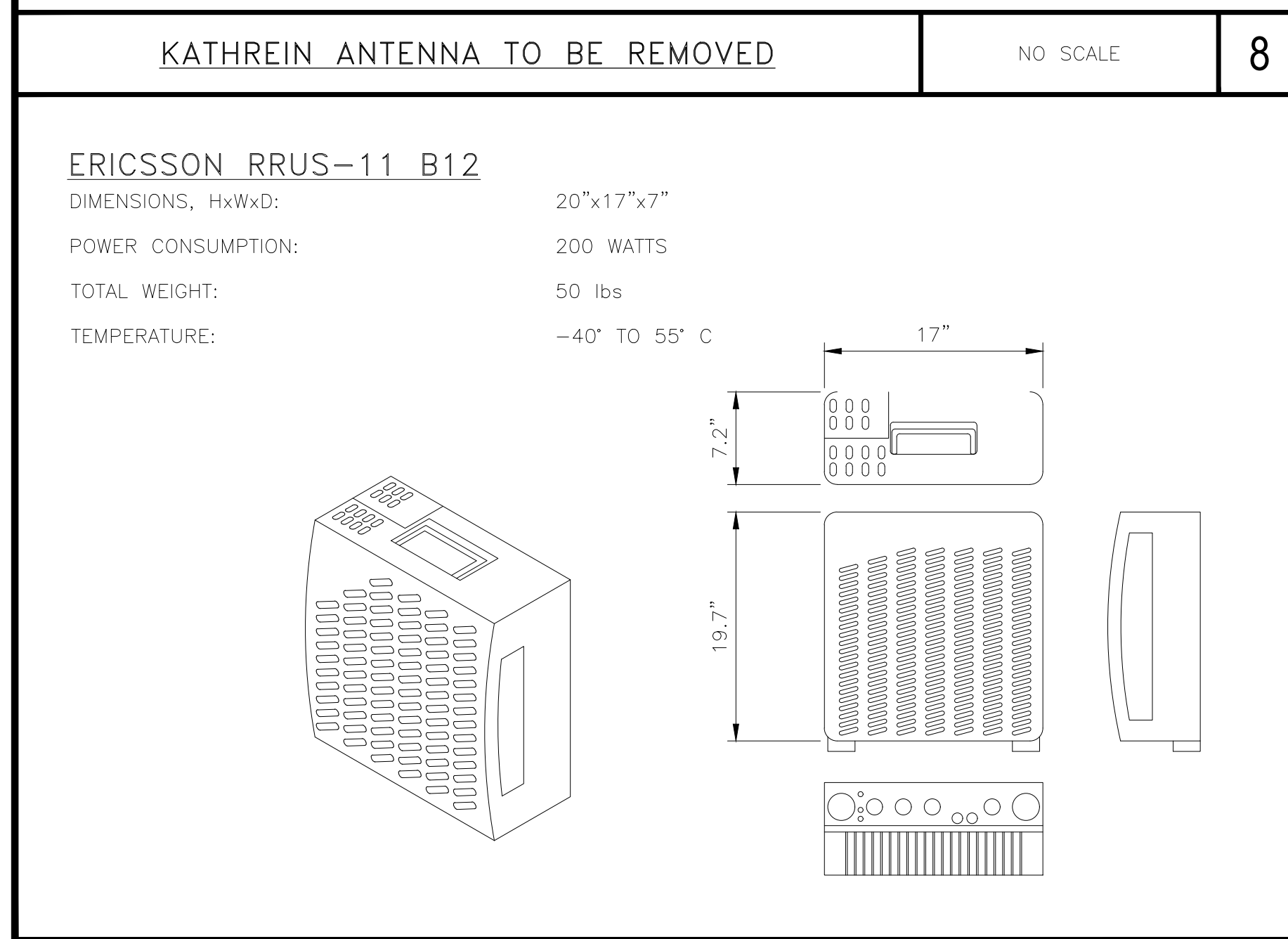
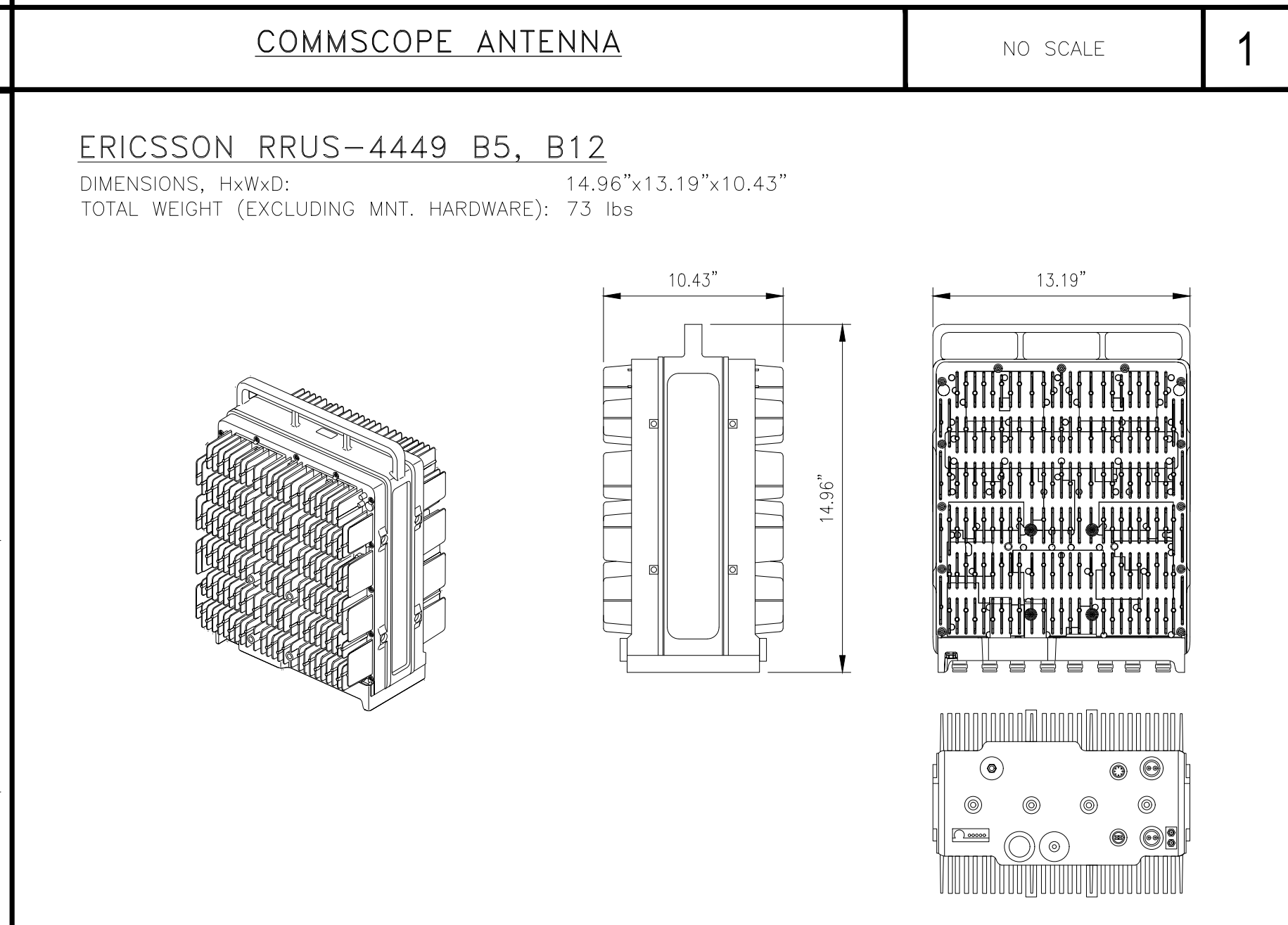
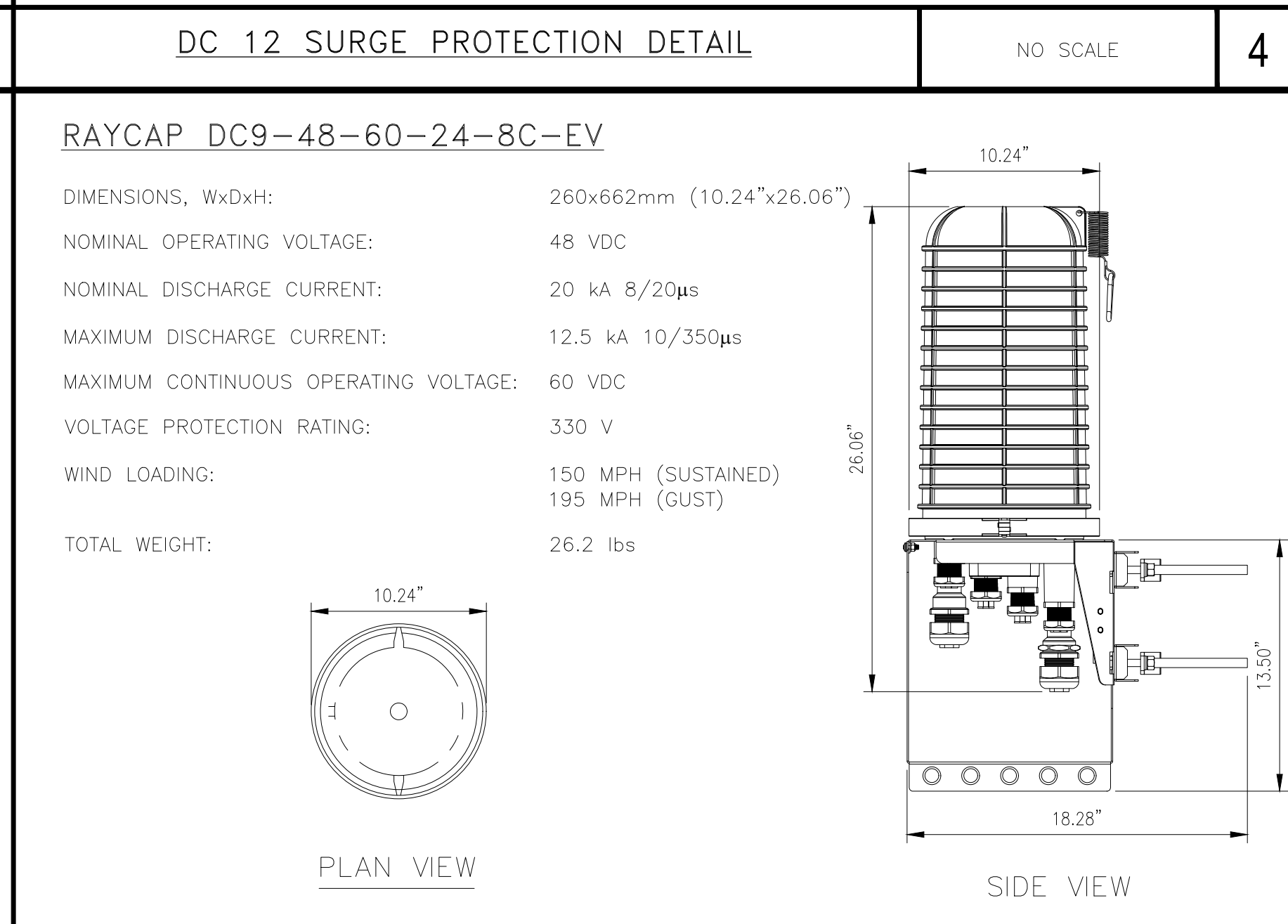
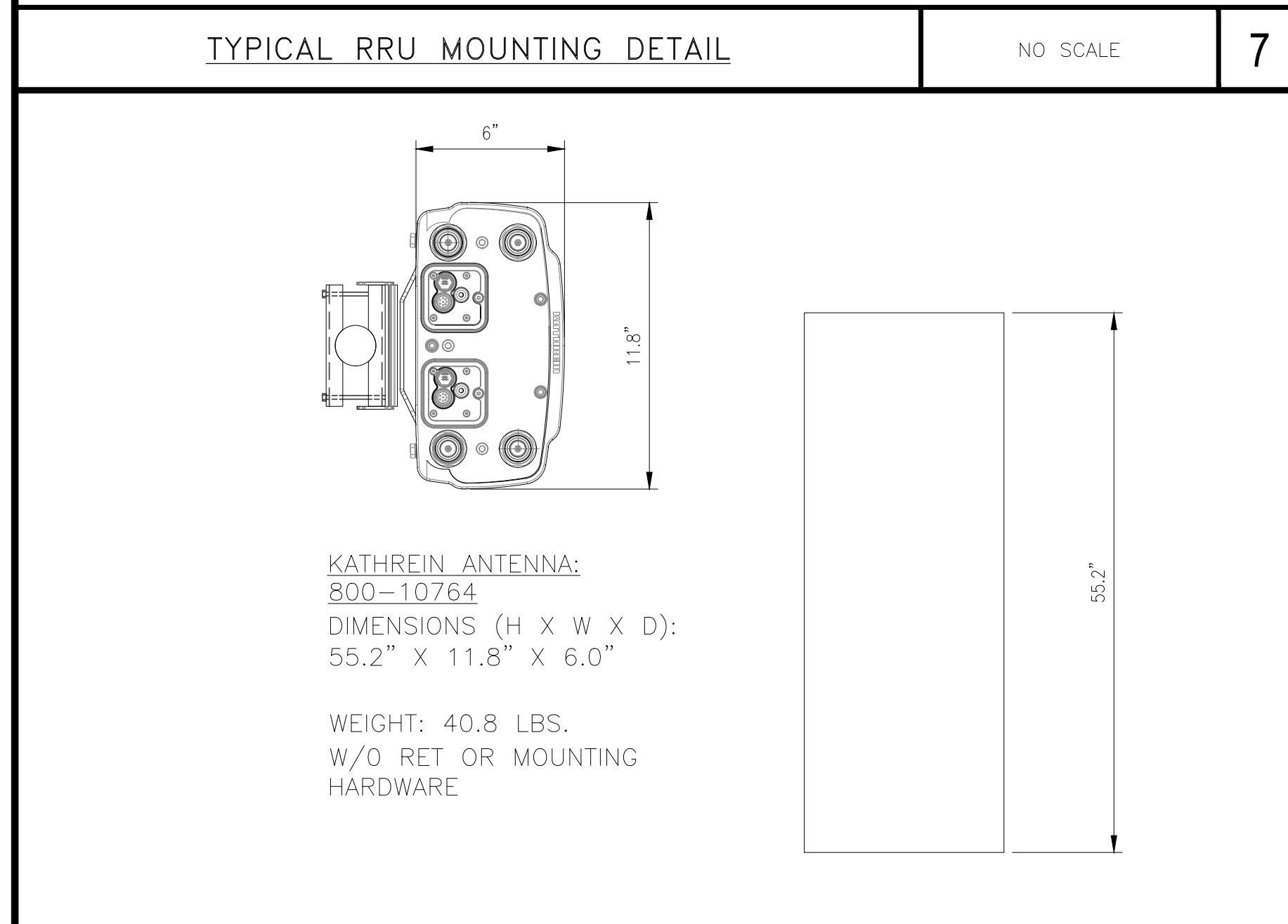


CCL00432
4TX4RX SOFTWARE RETROFIT,
5G NR 1DR-1
LAGUNA HONDA
375 LAGUNA HONDA BLVD
SAN FRANCISCO, CA 94131



PLANS PREPARED BY:
INTELOCITY
DESIGN | BUILD | INNOVATE
1875 Coronado Ave
Signal Hill, CA 90755
A NUWAVE COMPANY

REV	DATE	DESCRIPTION	BY
4	05/05/20	100% CONSTRUCTION DRAWINGS	JG
3	04/13/20	95% CD AT&T REDLINES	GO
2	03/02/20	90% CONSTRUCTION DRAWINGS	RC/GO
1	02/14/20	85% CONSTRUCTION DRAWINGS	RC
0	10/25/18	80% CONSTRUCTION DRAWINGS	BC



REGISTERED PROFESSIONAL ENGINEER
CHRIS S. LEE
76549
CIVIL
STATE OF CALIFORNIA

IT IS A VIOLATION OF LAW FOR ANY PERSON, UNLESS THEY ARE ACTING UNDER THE DIRECTION OF A LICENSED PROFESSIONAL ENGINEER, TO ALTER THIS DOCUMENT.

RRUS-11 B12 TO BE REMOVED NO SCALE 9

TYPICAL ANTENNA MOUNT NO SCALE 6

ERICSSON BASEBAND UNIT 6630 NO SCALE 3

SHEET TITLE
DETAILS

SHEET NUMBER
D-1

LIST OF EXHIBITS

- | | |
|--------------------|--|
| EXHIBIT A | Description and Depiction of Premises |
| EXHIBIT B | Count of Existing and Proposed Tenant Equipment (external) |
| EXHIBIT B-1 | Description of Tenant's Equipment as of Commencement Date (external) |
| EXHIBIT B-2 | Description of Tenant's Equipment After All Replacement Work (external) |
| EXHIBIT C | Approved Plans/100% Construction Drawings and Depiction of
Tenant's Equipment After Tenant Improvement Work |
| EXHIBIT D | Conditional Use Permit & Job Card |
| EXHIBIT E | Access Requirements |

EXHIBIT A**Description and Depiction of Premises****EQUIPMENT AREA**Antenna area

Sector A - 9' x 5' x 1'-6"

Sector B - 9' x 5' x 1'-6"

Sector C - 9' x 5' x 1'-6"

RRU/Wall space (W-H-D)

Sector A – 9' x 5' x 1'-6"

Sector B – 15' x 3' x 1'-6"

Sector C – 9' x 5' x 1'-6"

Equipment Room:

11' x 23'-5"

EQUIPMENT COUNT (ROOFTOP)

Count	Equipment	Model	Dimensions	Weight (lbs)
9	Kathrein	800-10767 K	57 x 14.8 x 6.7	68.8
3	COMMSCOPE	NNH4-65A-R6H4	55.1 x 19.6 x 7.8	72.8
3	RRU	B14 4478	16.5 x 13.4 x 7.4	59.52
3	RRU	RRUS-32 B66	27.2 x 12.1 x 7	53.0
3	RRU	RRUS-32 B30	27.2 x 12.1 x 7	53.0
3	RRU	RRUS-12	20.4 x 18.5 x 7.5	59.52
3	RRU	RRUS-11	19.7 x 16.9 x 7.1	50.7
3	RRU	4449	15 x 13.2 x 10.3	73.0
3	Squid	DC6-48-60-18	20 x 20 x 6.3	43.0
9	Box	DC Distribution	8 x 8 x 7	5
3	Box	Fiber winder	14 x 14 x 9	2

Exhibit A (cont.) - Rooftop Equipment Area

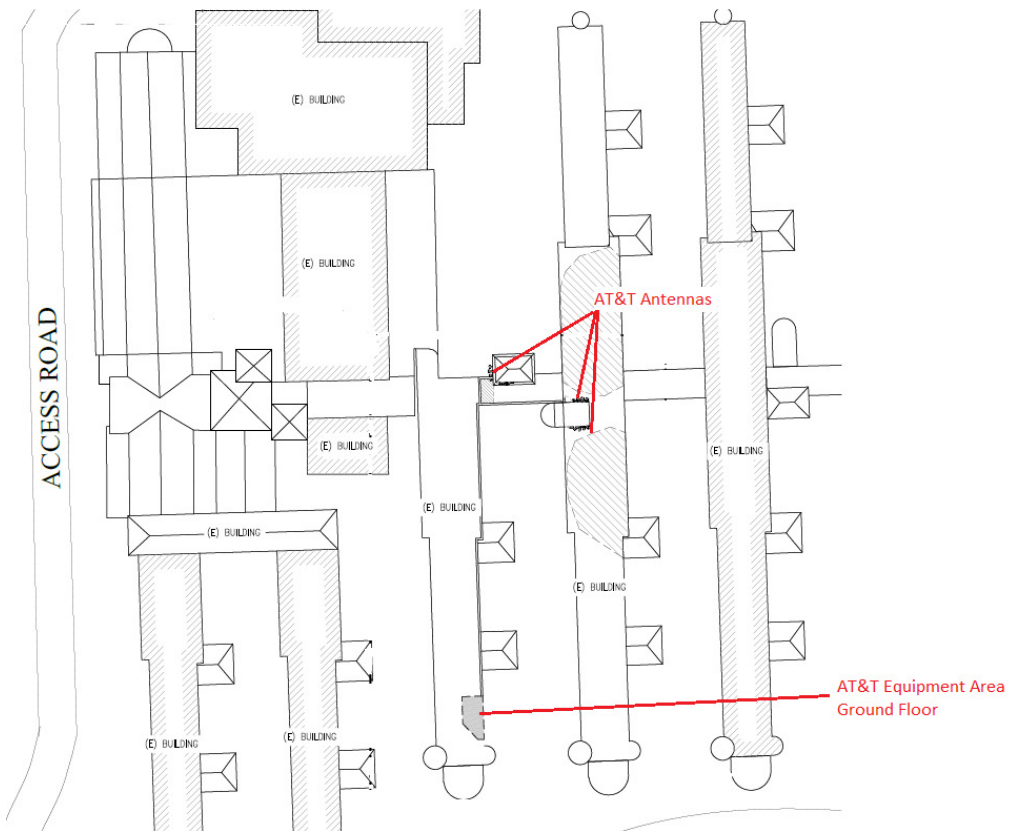
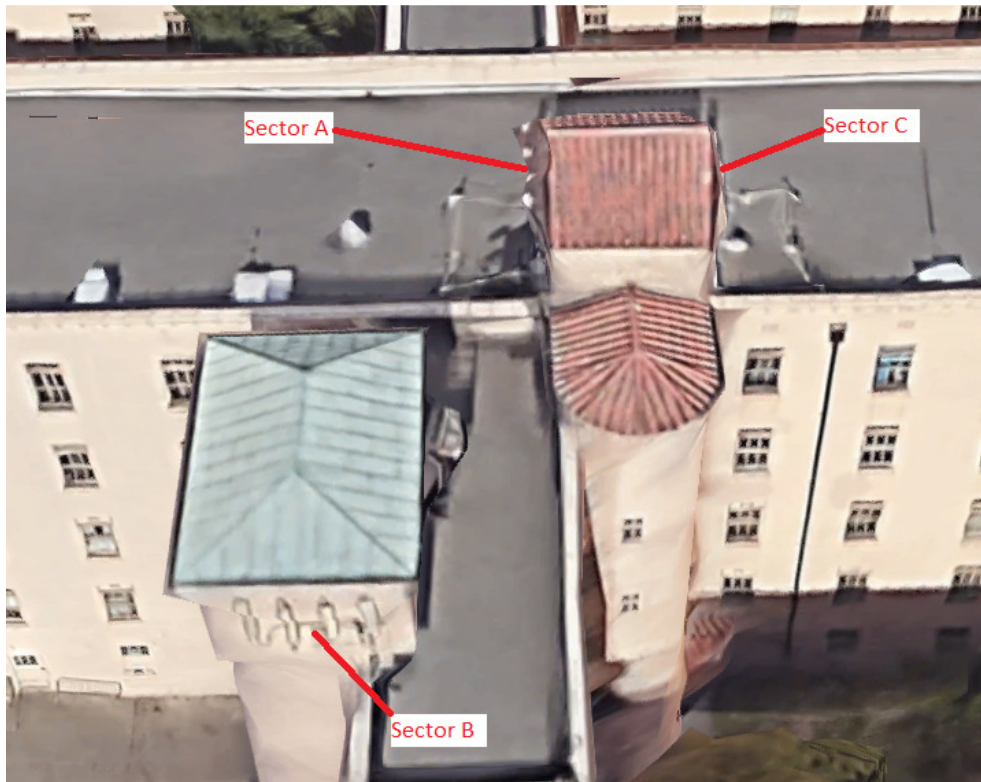


Exhibit A (cont.): Sector A – Antenna Area and Wall Equipment Area



Exhibit A (cont.): Sector B – Antenna Area and Wall Equipment Area



Exhibit A (cont.): Sector C – Antenna Area and Wall Equipment Area



EXHIBIT B**Count of Existing and Proposed Tenant Equipment (external)**

Sector A		
	Tenant Equipment as of Commencement Date	Tenant Equipment After All Improvement Work
Antennas	4	4
RRUs	6	6
DC2	3	3
Fiber box	1	1
DC6	--	1
	Ant: 9' x 5' = 45 Sq. Ft. RRU/Wall space: 9' x 5' = 45 Sq. Ft. Combined Ant/RRU Space: 90 Sq. Ft.	Ant: 9' x 5' = 45 Sq. Ft. RRU/Wall space: 9' x 5' = 45 Sq. Ft. Combined Ant/RRU Space: 90 Sq. Ft.
Sector B		
	Tenant Equipment as of Commencement Date	Tenant Equipment After All Improvement Work
Antennas	4	4
RRUs	6	6
DC2	1	1
Box (power)	2	2
Fiber box	1	1
DC6	--	1
	Ant: 9' x 5' = 45 Sq. Ft. RRU/Wall space: 15' x 3' = 45 Sq. Ft. Combined Ant/RRU Space: 90 Sq. Ft.	Ant: 9' x 5' = 45 Sq. Ft. RRU/Wall space: 15' x 3' = 45 Sq. Ft. Combined Ant/RRU Space: 90 Sq. Ft.
Sector C		
	Tenant Equipment as of Commencement Date	Tenant Equipment After All Improvement Work
Antennas	4	4
RRUs	6	6
DC2	3	3
Fiber box	1	1
TMA	1	--
DC6	--	1
	Ant: 9' x 5' = 45 Sq. Ft. RRU/Wall space: 9' x 5' = 45 Sq. Ft. Combined Ant/RRU Space: 90 Sq. Ft.	Ant: 9' x 5' = 45 Sq. Ft. RRU/Wall space: 9' x 5' = 45 Sq. Ft. Combined Ant/RRU Space: 90 Sq. Ft.

EXHIBIT B-1**Description of Tenant's Equipment as of Commencement Date (external)**

Count	Equipment	Model	Dimensions (Inches)	Weight (lbs)
9	Kathrein (antenna)	800-10767 K	57 x 14.8 x 6.7	68.8
3	Kathrein (antenna)	800-10764	55.2 x 11.8 x 6	45.2
3	RRU	RRUS-12	19.68 x 16.96 x 7.16	52.91
6	RRU	RRUS-11	20.5 x 18.5 x 7.5	50.7
6	RRU	RRU 32	27.2 x 12.1 x 7	53.0
3	RRU	4478	16.5 x 13.4 x 7.4	59.52
1	TMA	KRY 112 89/4	11.2 x 11 x 4.2	17
2	Box	Power Distribution	16 x 16 x 7	12
7	DC-2	Power Distribution	8 x 8 x 7	5
3	Box	Fiber winder	14 x 14 x 9	2

EXHIBIT B-2**Description of Tenant's Equipment After All Replacement Work (external)**

Count	Equipment	Model	Dimensions	Weight (lbs)
9	Kathrein	800-10767 K	57 x 14.8 x 6.7	68.8
3	COMMSCOPE	NNH4-65A-R6H4	55.1 x 19.6 x 7.8	72.8
3	RRU	B14 4478	16.5 x 13.4 x 7.4	59.52
3	RRU	RRUS-32 B66	27.2 x 12.1 x 7	53.0
3	RRU	RRUS-32 B30	27.2 x 12.1 x 7	53.0
3	RRU	RRUS-12	20.4 x 18.5 x 7.5	59.52
3	RRU	RRUS-11	19.7 x 16.9 x 7.1	50.7
3	RRU	4449	15 x 13.2 x 10.3	73.0
3	Squid	DC6-48-60-18	20 x 20 x 6.3	43.0
9	Box	DC Distribution	8 x 8 x 7	5
3	Box	Fiber winder	14 x 4 x 9	2
2	Box	Power Distribution	16 x 16 x 7	12

EXHIBIT C

Approved Plans/100% Construction Drawings and Depiction of Tenant's Equipment After Tenant Improvement Work

[100% Construction Drawings last updated May 5, 2020, prepared by Intelocity, and consisting of eleven (11) pages, appears on following pages, provided; however, that if altered with the prior written and reasonable approval of City's Director of Property pursuant to Section 7.1, the altered drawings will be attached at Exhibit F once approved by the City Planning Department]

EXHIBIT D**Conditional Use Permits****2020 scope permit****Permit Details Report**

Report Date: 11/30/2020 4:24:45 PM

Application Number: 202006028053

Form Number: 3

Address(es): 2842 /007 /0 375 LAGUNA HONDA BL

Description: AT&T PROPOSES TO MODIFY EXISITING FACILITY: REMOVE & REPLACE 3 ANTENNAS AND 3 RRU'S. INSTALL 3 SURGE SUPPRESSORS, 6 NEW DC POWER TRUCKS, INSTALL 3 NEW FIBER TRUNK @ SHELTER. REMOVE 1 E100A SUB PANEL, INSTALL DC-12 SURGE SUPPRESSOR IN E FIF RACK. INSTALL 1 NEW 6630, 120/2008VAC 3-PH-4-WRE SUB PANEL.

Cost: \$32,000.00

Occupancy Code: B

Building Use: 10 - OFFICE

Disposition / Stage:

Action Date	Stage	Comments
6/2/2020	TRIAGE	
6/2/2020	FILING	
6/2/2020	FILED	

Contact Details:**Contractor Details:****Addenda Details:****Description:**

Step	Station	Arrive	Start	In Hold	Out Hold	Finish	Checked By	Phone	Hold Description
1	PRE-PLN	6/4/20	6/4/20			6/4/20	RUSSELL ERICA	415-558-6377	ok to accept DCP fee
2	PRE-FIRE	6/2/20	6/2/20			6/2/20	LA EACE ROBERT	415-558-6177	ok to accept
3	CPB	6/25/20	6/25/20			6/25/20	CHEUNG DEREK	628-652-3240	ELECTRONICALLY SUBMITTED. FILING FEE NOT PAID.
4	CP-ZOC	6/25/20		10/5/20			CISNEROS STEPHANIE	628-652-7300	ON HOLD PER RED - WAITING FOR CONFIRMATION FROM RED TO PROCEED.
5	BLDG	9/30/20	10/1/20			10/1/20	CHANG JOANNA	628-652-3780	approved etc
6	MECH	9/30/20	10/14/20			10/14/20	LAI JEFF	628-652-3780	WKP-stamped approved in BB-10/14/2020
7	SFFD	9/30/20	10/2/20			10/2/20	MANN KERRY	628-652-3472	Approved, stamped.
8	HEALTH	9/30/20	9/30/20			10/2/20	PHAN HAN	415-252-3800	Approved
9	PPC	9/30/20	9/30/20				PHAM ANH HAI	628-652-3780	9/30/20: Concurrent review allowed per Elizabeth Watty, invite sent to BLDG, MECH, FIRE & HEALTH to start electronic plan review; HP 6/25/2020: BB session created and sent invitation to Planning and Caroline Shaker. will send invitation to BLDG, MECH, SFFD and DPH upon Planning approval and notification;EC.
10	CPB						CHEUNG DEREK	628-652-3240	6/4/2020: FILING FEE HAS NOT BEEN PAID.

EXHIBIT D (cont.)

Job Card

To be attached upon release by DBI. On hold pending RES (City Real Estate Dept).

EXHIBIT E

Access Requirements

During Covid, all parties visiting site must contact Diann Kenyon @ (415)759-2369 and arrange for a Covid test. Laguna Honda can perform the test on-site with an appointment arranged by Diann Kenyon. Work must be performed within three days of taking the test. Results are usually available the next day.

Call 24 hours in advance to Diann Kenyon, Engineering Supervisor, for appointment. (415)759-2369. All parties must sign in and show credentials (business card or ID) at the front desk upon arriving at 375 Laguna Honda and shall receive a visitor's pass. Upon exiting the building/facility grounds, it would be appreciated if the visitor also sign-outs at the front desk.

Keys for this site area available as the SF MTSO - 951 Howard Street between 8:30 - 4:30PM M-F