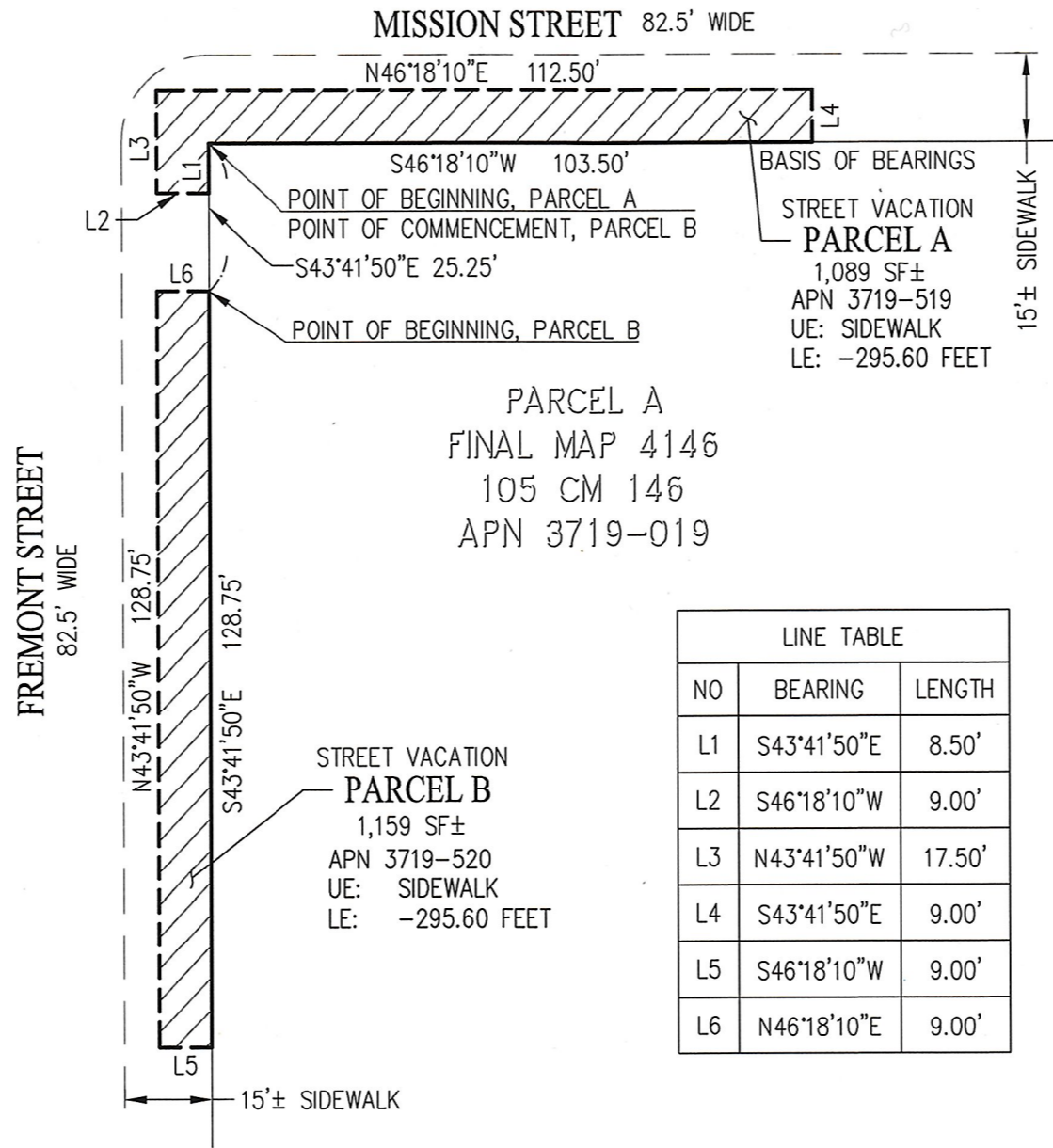


F:\2949-000\ACAD\SURVEY\PLAT\PLAT-002-STREET VACATION.DWG



PARCEL A
FINAL MAP 4146
105 CM 146
APN 3719-019

STREET VACATION
PARCEL B
1,159 SF±
APN 3719-520
UE: SIDEWALK
LE: -295.60 FEET

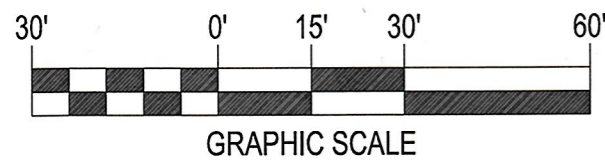
BASIS OF BEARINGS
STREET VACATION
PARCEL A
1,089 SF±
APN 3719-519
UE: SIDEWALK
LE: -295.60 FEET

LINE TABLE		
NO	BEARING	LENGTH
L1	S43°41'50"E	8.50'
L2	S46°18'10"W	9.00'
L3	N43°41'50"W	17.50'
L4	S43°41'50"E	9.00'
L5	S46°18'10"W	9.00'
L6	N46°18'10"E	9.00'

- LEGEND:**
- VACATION BOUNDARY
 - PROPERTY LINE
 - AREA TO BE VACATED
 - CURB
 - UE UPPER ELEVATION
 - LE LOWER ELEVATION

- NOTES:**
- REFERENCE BENCHMARK: BM 10110, ELEV: 12.139 FEET (CCSF-VD13 DATUM)
 - THE BASIS OF BEARINGS FOR THIS DRAWING IS THE SOUTH LINE OF MISSION STREET BEING N46°18'10"E PER RECORD OF SURVEY 6428 (EE SM 19).
 - ALL DISTANCES SHOWN HEREON ARE IN FEET AND DECIMALS THEREOF.

REFERENCES:
RECORD OF SURVEY 6428 (EE SURVEY MAPS 19-27)
FINAL MAP 4146 (105 CM 146-147)



APPROVED:

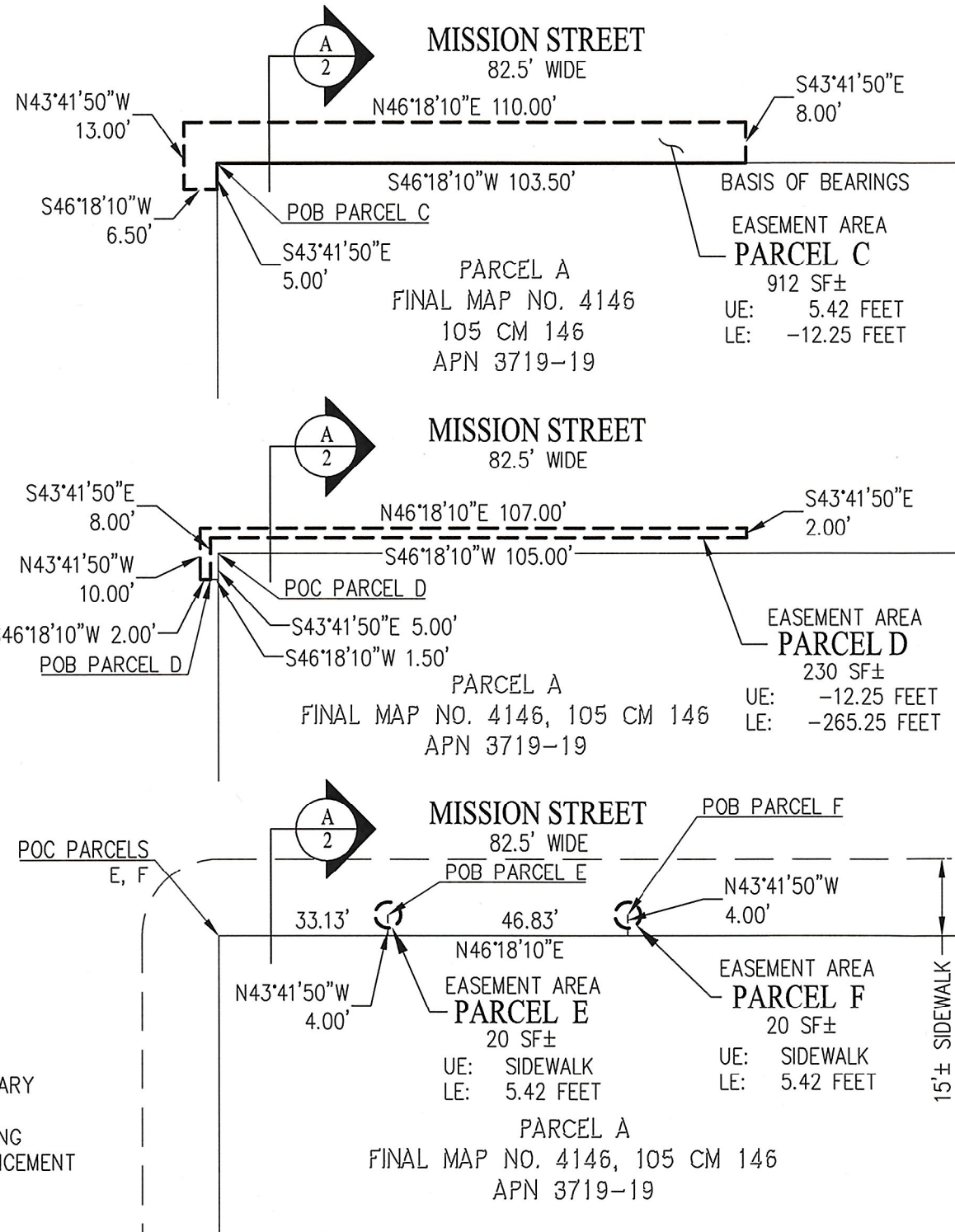
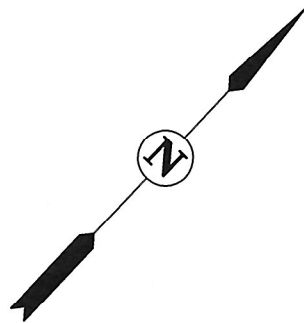
 BRUCE R. STORRS
 CITY & COUNTY SURVEYOR

DATE: 1/8/2020

CITY AND COUNTY OF SAN FRANCISCO PUBLIC WORKS
SUBDIVISION AND MAPPING

STREET VACATION OF PORTIONS OF MISSION ST. AND FREMONT ST., FRONTING APN 3719-019

FILE: SUR 2019-006	SHEET 1 OF 3	SCALE: 1"=30'	REVISION
-----------------------	--------------	---------------	----------



NOTES:

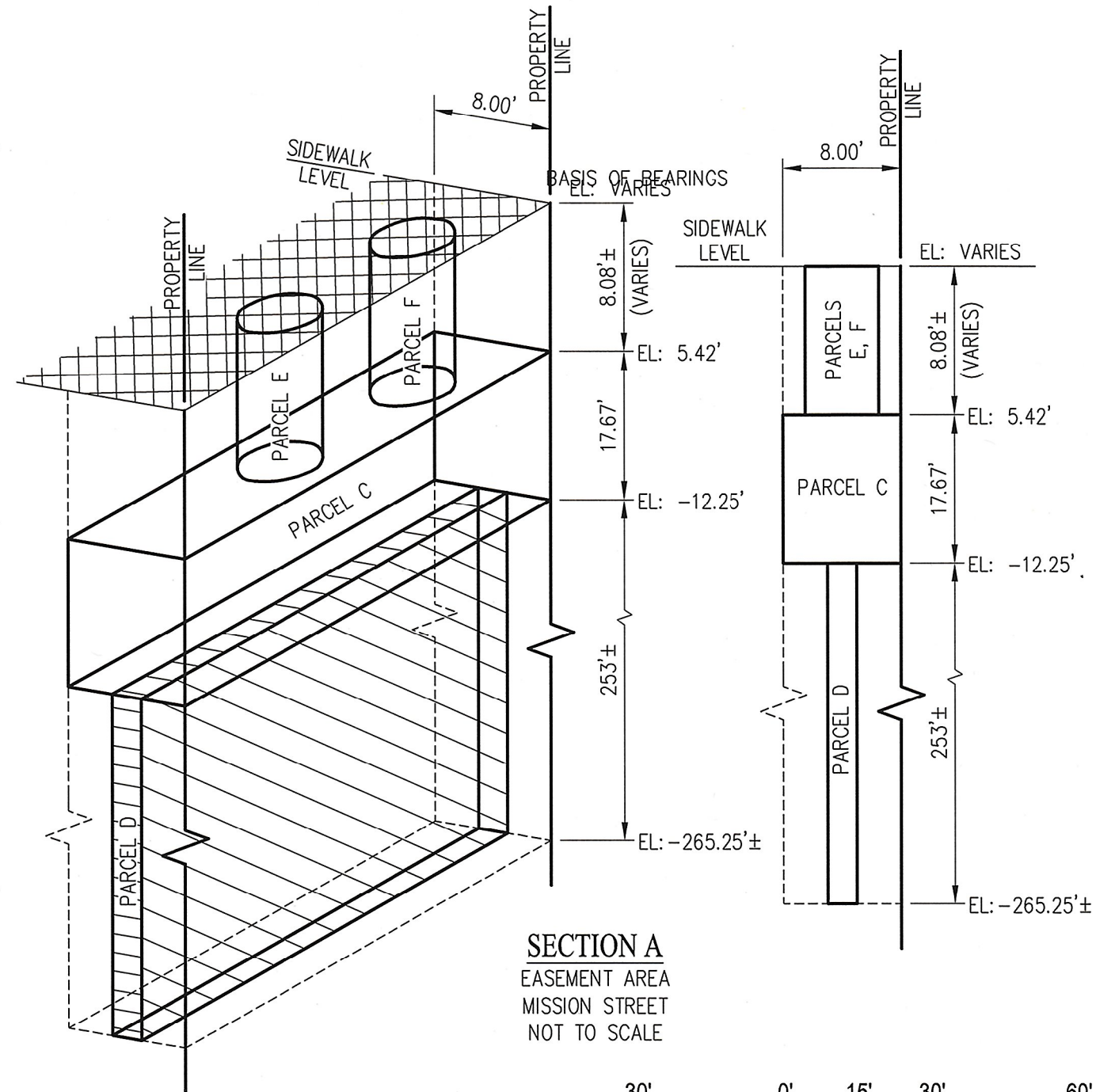
1. REFERENCE BENCHMARK: BM 10110, ELEV: 12.139 FEET (CCSF-VD13 DATUM)
2. THE BASIS OF BEARINGS FOR THIS DRAWING IS THE SOUTH LINE OF MISSION STREET BEING N46°18'10"E PER RECORD OF SURVEY 6428 (EE SM 19).
3. ALL DISTANCES SHOWN HEREON ARE IN FEET AND DECIMALS THEREOF.
4. PARCELS E AND F ARE CIRCLES WITH A DIAMETER OF 5.00'.

REFERENCES:

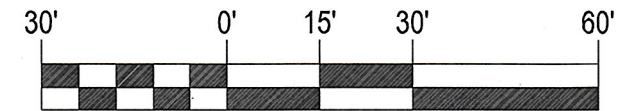
RECORD OF SURVEY 6428 (EE SURVEY MAPS 19-27)
FINAL MAP 4146 (105 CM 146-147)

LEGEND:

- EASEMENT BOUNDARY
- PROPERTY LINE
- POB POINT OF BEGINNING
- POC POINT OF COMMENCEMENT
- UE UPPER ELEVATION
- LE LOWER ELEVATION



SECTION A
EASEMENT AREA
MISSION STREET
NOT TO SCALE



GRAPHIC SCALE

F:\2949-000\ACADISURVEY\PLAT-003C-3D STREET VACATION SUR MAP.DWG



APPROVED:

Bruce R. Storrs
BRUCE R. STORRS
CITY & COUNTY SURVEYOR

1/8/2020
DATE

CITY AND COUNTY OF SAN FRANCISCO PUBLIC WORKS
SUBDIVISION AND MAPPING

STREET VACATION OF PORTIONS OF MISSION ST. AND FREMONT ST., FRONTING APN 3719-019

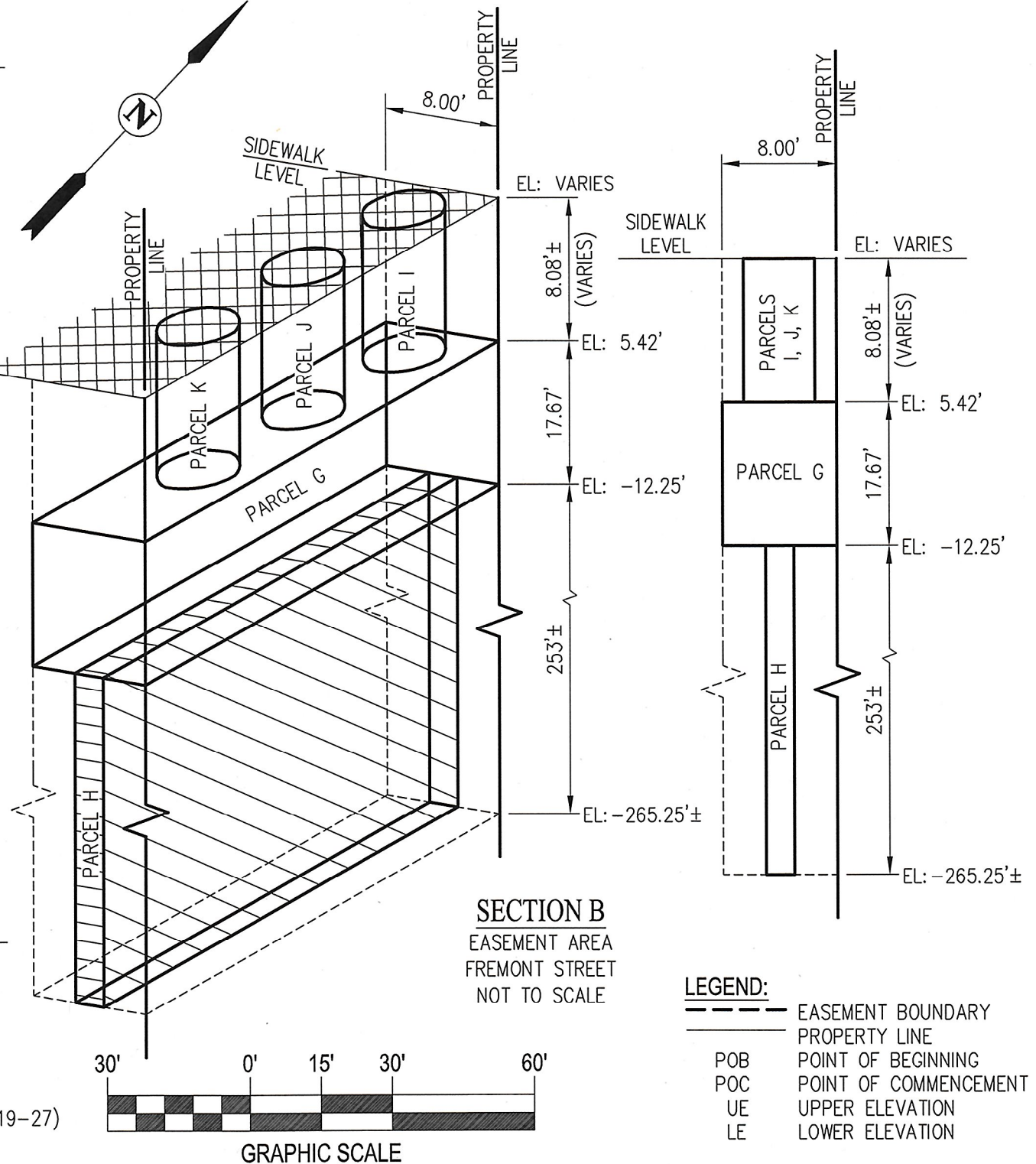
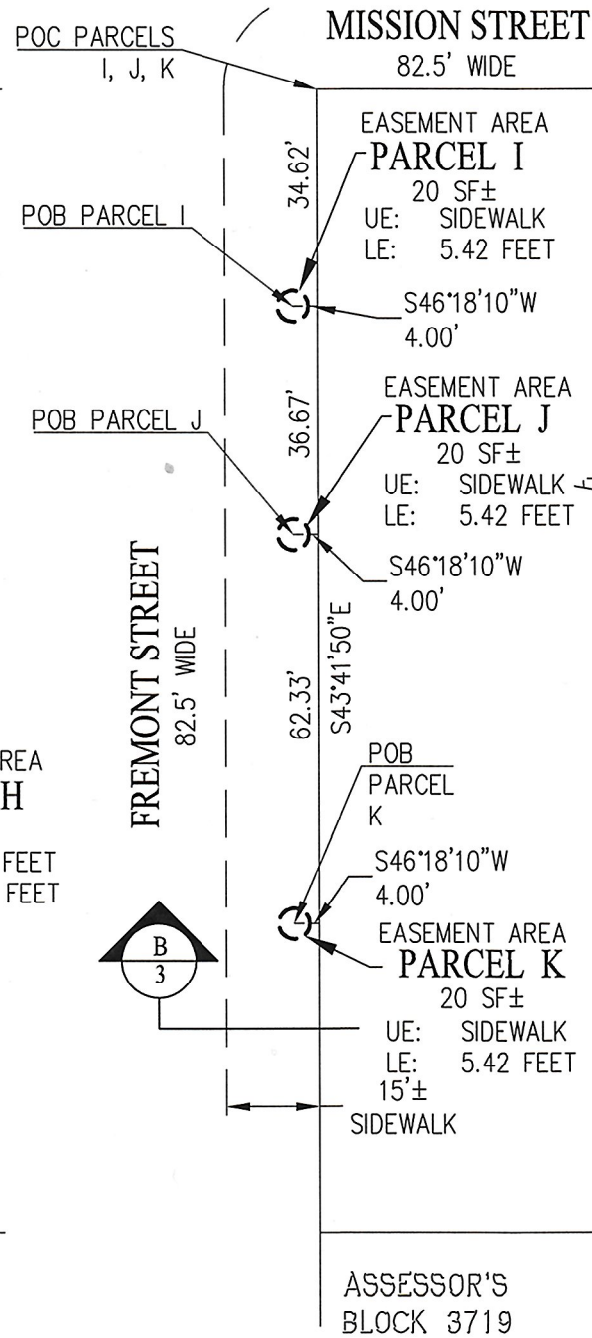
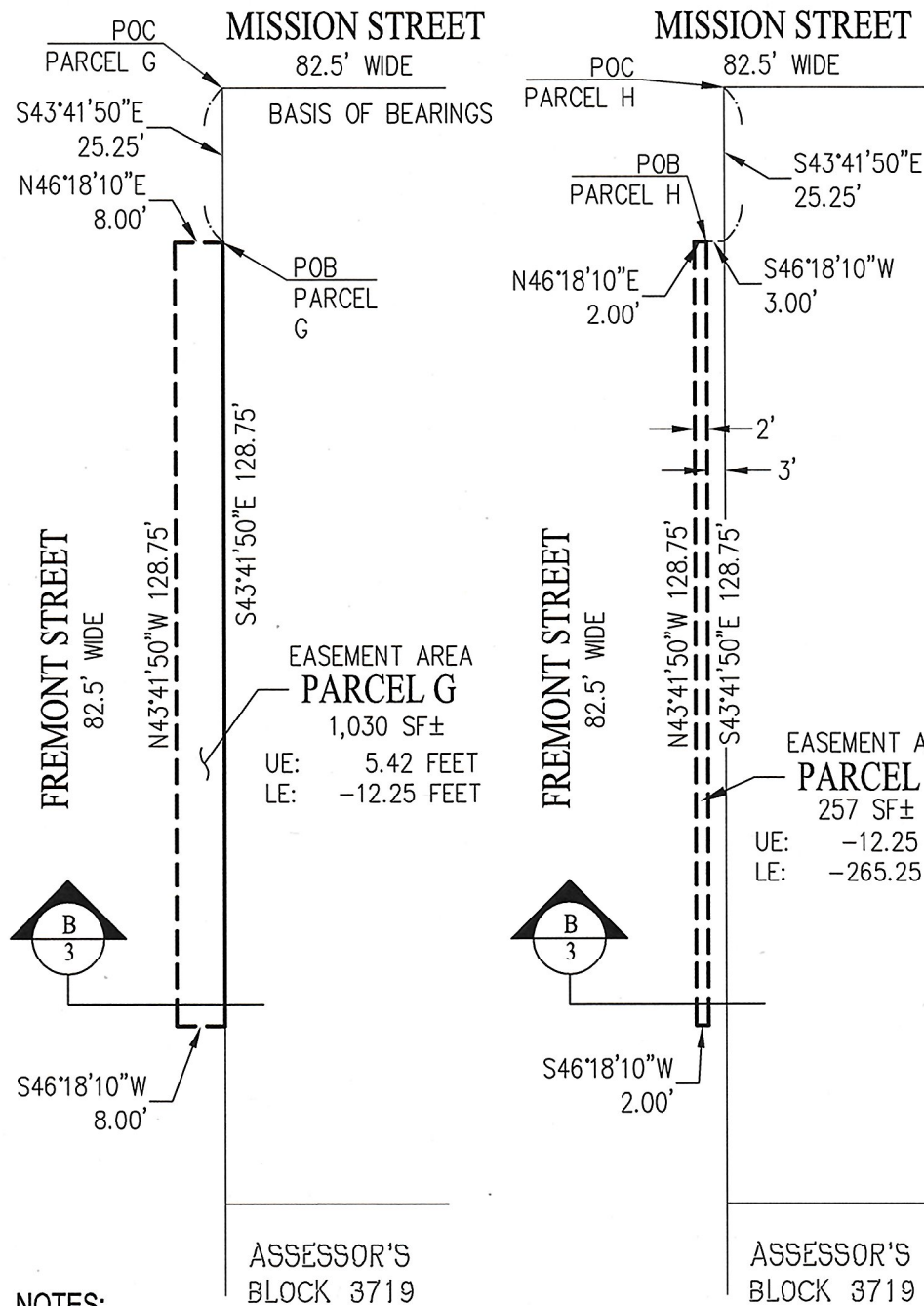
FILE: SUR 2019-006

SHEET 2 OF 3

SCALE: 1"=30'

REVISION

F:\2949-000\ACAD\SURVEY\PLAT-003-C-3D STREET VACATION SUR.MAP.DWG



NOTES:

1. REFERENCE BENCHMARK: BM 10110, ELEV: 12.139 FEET (CCSF-VD13 DATUM)
2. THE BASIS OF BEARINGS FOR THIS DRAWING IS THE SOUTH LINE OF MISSION STREET BEING N46°18'10"E PER RECORD OF SURVEY 6428 (EE SM 19).
3. ALL DISTANCES SHOWN HEREON ARE IN FEET AND DECIMALS THEREOF.
4. PARCELS I, J AND K ARE CIRCLES WITH A DIAMETER OF 5.00'.

REFERENCES:

RECORD OF SURVEY 6428 (EE SURVEY MAPS 19-27)
FINAL MAP 4146 (105 CM 146-147)



APPROVED:

 BRUCE R. STORRS
 CITY & COUNTY SURVEYOR

DATE

CITY AND COUNTY OF SAN FRANCISCO PUBLIC WORKS
SUBDIVISION AND MAPPING

STREET VACATION OF PORTIONS OF MISSION ST. AND FREMONT ST., FRONTING APN 3719-019

FILE: SUR 2019-006

SHEET 3 OF 3

SCALE: 1"=30'

REVISION