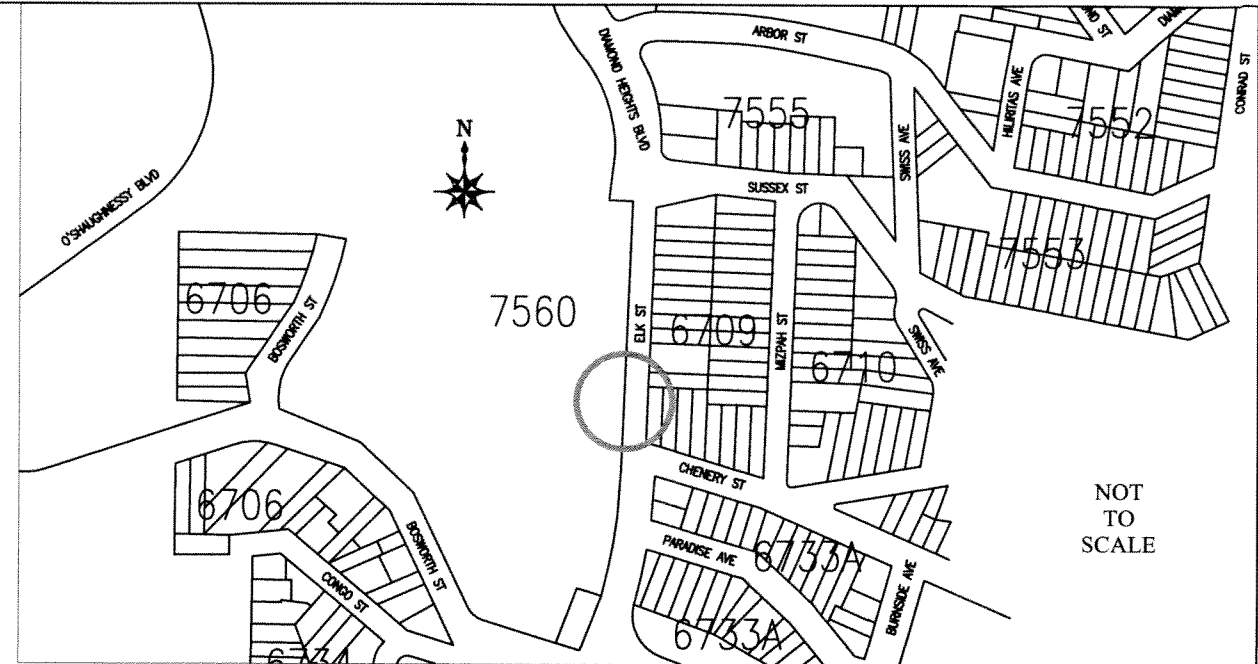


- NEW CURB LINE
- EXISTING CURB TO REMAIN
- - - EXISTING CURB TO BE REMOVED
- - - PROPERTY LINE

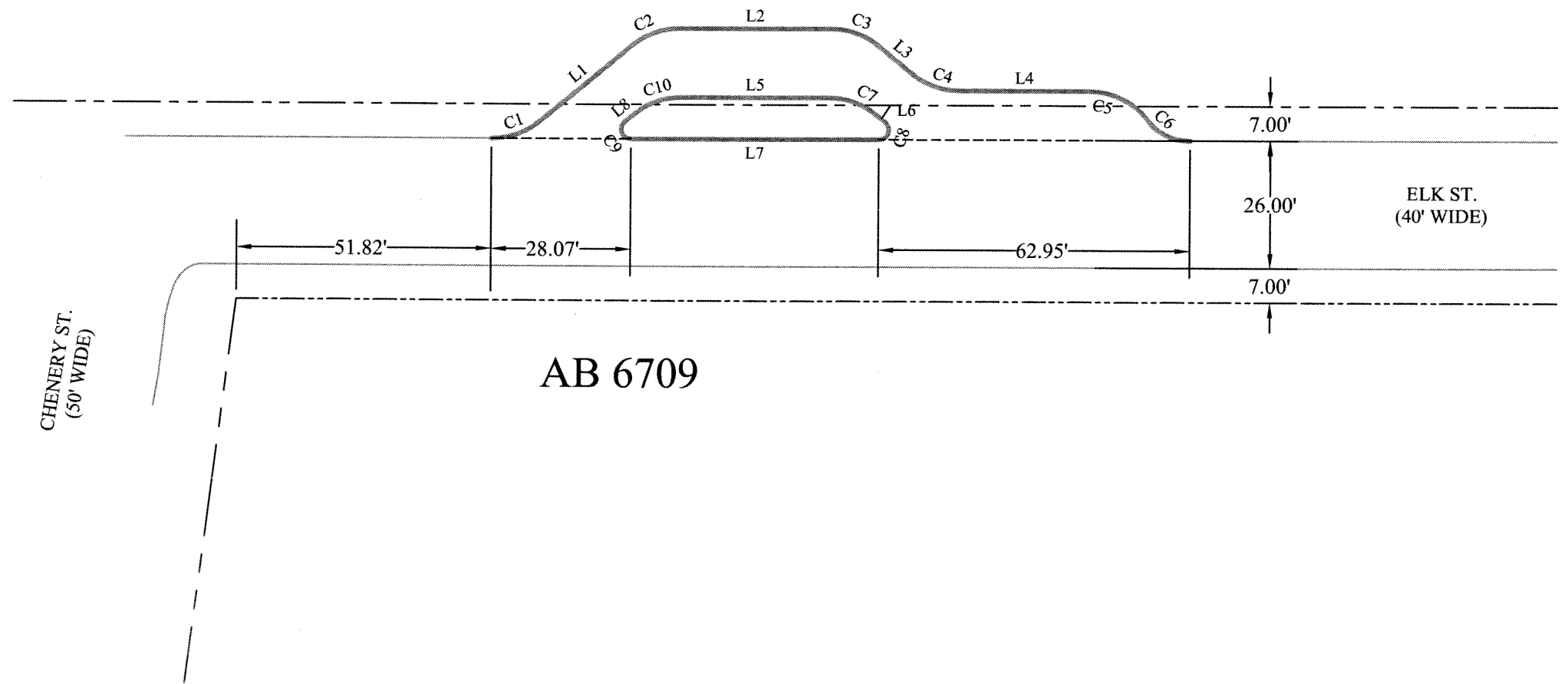


NOT TO SCALE

AB 7560

Curve Table			
Curve #	Length	Radius	Delta
C1	10.47'	15.00'	040°00'00"
C2	10.47'	15.00'	040°00'00"
C3	10.47'	15.00'	040°00'00"
C4	10.47'	15.00'	040°00'00"
C5	13.91'	15.00'	053°07'48"
C6	9.62'	10.00'	055°08'13"
C8	4.89'	2.00'	140°00'00"
C9	4.89'	2.00'	140°00'00"
C7	10.47'	15.00'	040°00'00"
C10	10.47'	15.00'	040°00'00"

Line Table	
Line #	Length
L1	24.08'
L2	30.86'
L4	26.46'
L3	8.52'
L7	50.19'
L6	2.27'
L5	30.00'
L8	2.27'



AB 6709

CHENERY ST.
(50' WIDE)

ELK ST.
(40' WIDE)

REFERENCES:
- Grade Map 227

APPROVED:

BRUCE R. STORRS
CITY & COUNTY SURVEYOR

9/9/2013
DATE

CITY AND COUNTY OF SAN FRANCISCO
DEPARTMENT OF PUBLIC WORKS

OFFICIAL SIDEWALK CHANGE ON THE WESTERLY SIDE OF ELK STREET BETWEEN CHENERY STREET AND SUSSEX STREET

FILE:
Q-20-727

SHEET 1 OF 1

SCALE: 1:30

CHANGE