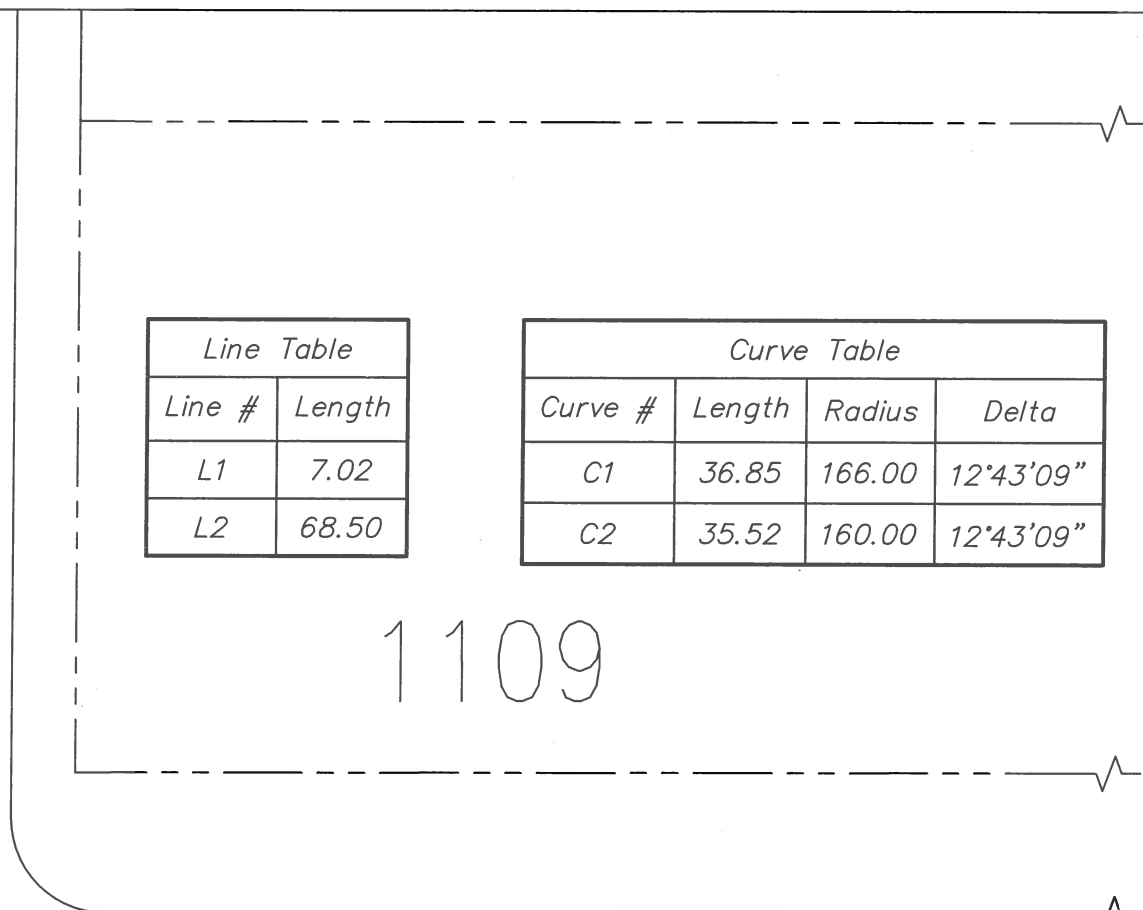


TURK ST
(88' WIDE)

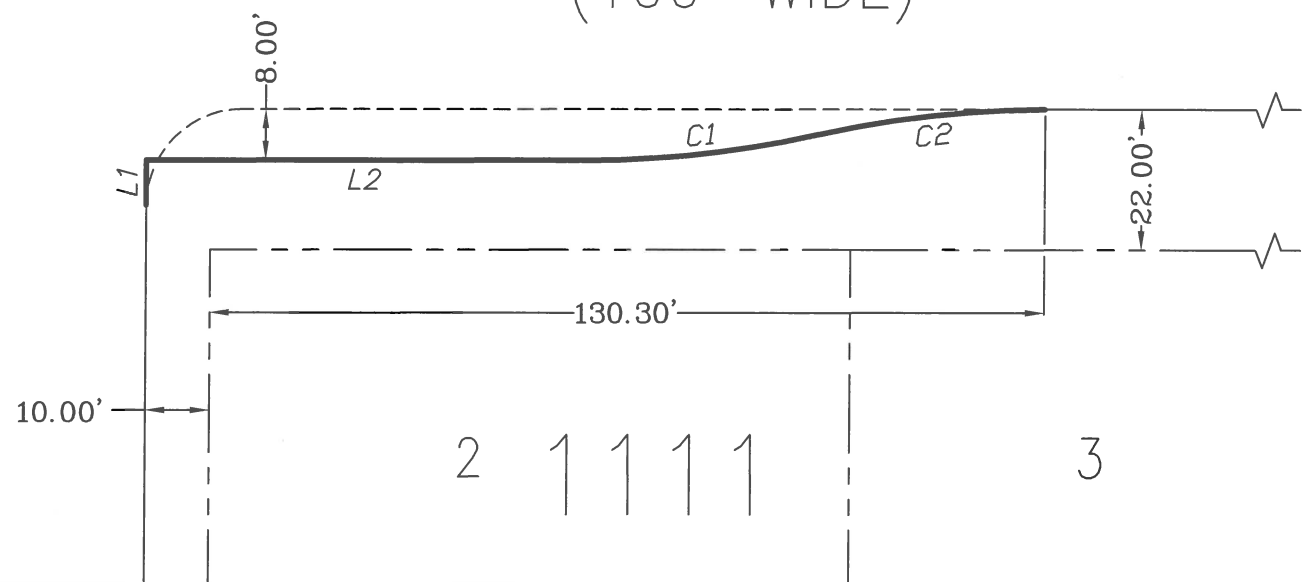


Line Table	
Line #	Length
L1	7.02
L2	68.50

Curve Table			
Curve #	Length	Radius	Delta
C1	36.85	166.00	12°43'09"
C2	35.52	160.00	12°43'09"



MASONIC AVE
(100' WIDE)

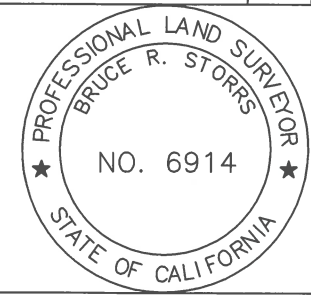
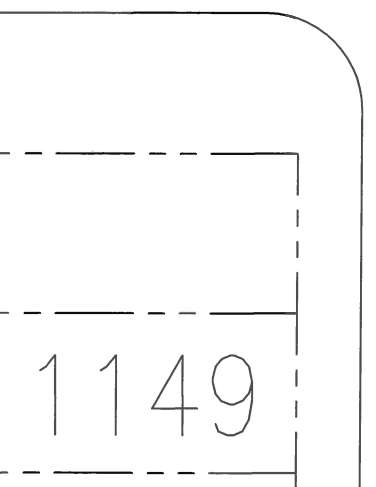
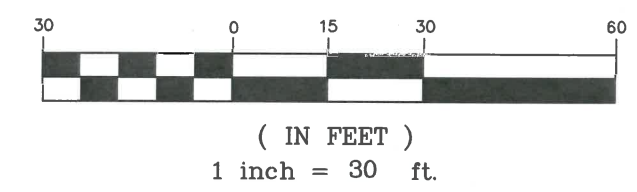


LEGEND

- NEW CURB LINE
- PROPERTY LINE
- EXISTING OFFICIAL CURB TO REMAIN
- EXISTING OFFICIAL CURB TO BE REMOVED

REFERENCES:
GM 040, GM 041

GRAPHIC SCALE



APPROVED:

BRUCE R. STORRS
CITY & COUNTY SURVEYOR

6/10/16
DATE

CITY AND COUNTY OF SAN FRANCISCO
DEPARTMENT OF PUBLIC WORKS

OFFICIAL SIDEWALK CHANGES AT THE NORTHEASTERLY CORNER OF THE INTERSECTION OF MASONIC AVENUE AND TURK STREET, FRONTING AB 1111 LOTS 002, 003

FILE: Q-20-838	SHEET 2 OF 2	SCALE: 1:30	CHANGE
-------------------	--------------	-------------	--------