

VICINITY MAP
 NOT TO SCALE

LEGEND

- 6973 040 ASSESSORS BLOCK AND LOT NO.
- NEW CURB LINE
- PROPERTY LINE TO BE ABANDONED
- PROPERTY LINE
- EXISTING OFFICIAL CURB TO BE REMOVED

CURVE TABLE

CURVE #	LENGTH	RADIUS	DELTA
C1	35.13'	20.00'	100°39'05"

LINE TABLE

LINE #	LENGTH
L1	60.66'



APPROVED:

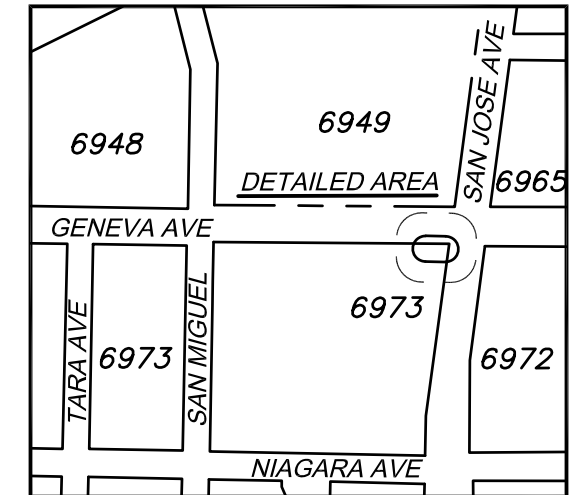
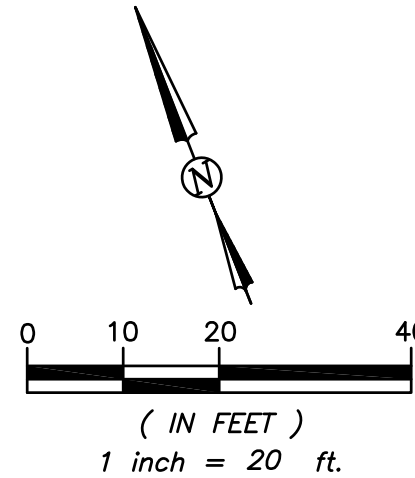
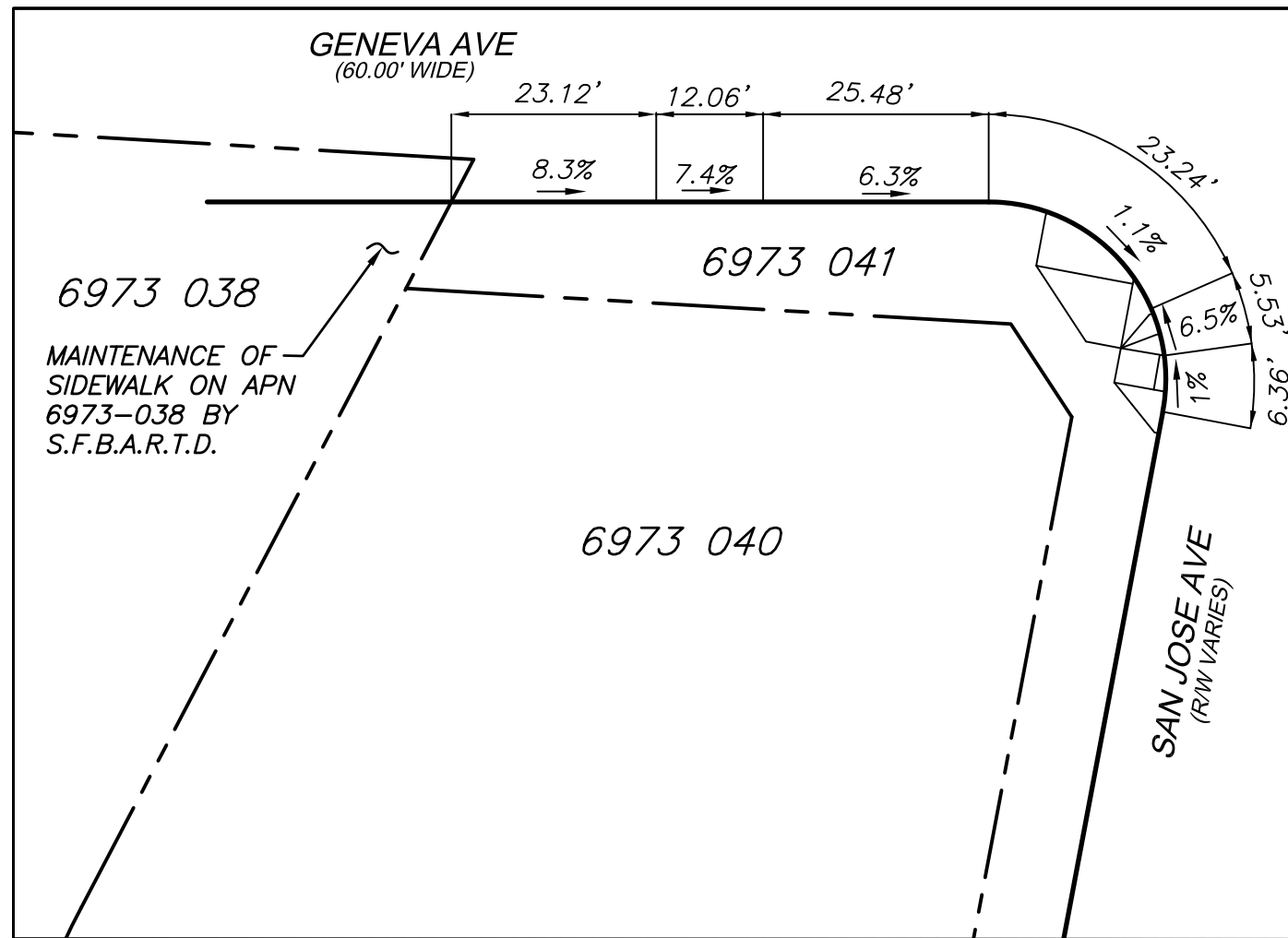
CITY AND COUNTY SURVEYOR
 ELIAS WINSLOW FRENCH, PLS 9406

DATE

CITY AND COUNTY OF SAN FRANCISCO
 DEPARTMENT OF PUBLIC WORKS

OFFICIAL SIDEWALK WIDTHS AND GRADES FOR THE WIDENING OF GENEVA AVENUE,
 FRONTING AB 6973 LOT 040

FILE: Q-20-1214	SHEET 1 OF 2	SCALE: 1"=20'	REVISION
-----------------	--------------	---------------	----------



VICINITY MAP
 NOT TO SCALE

LEGEND

- 6973 040** ASSESSORS BLOCK AND LOT NO.
- CURB LINE
- PROPERTY LINE TO BE ABANDONED
- PROPERTY LINE



APPROVED:

 CITY AND COUNTY SURVEYOR
 ELIAS WINSLOW FRENCH, PLS 9406

 DATE

CITY AND COUNTY OF SAN FRANCISCO
 DEPARTMENT OF PUBLIC WORKS

OFFICIAL SIDEWALK WIDTHS AND GRADES FOR THE WIDENING OF GENEVA AVENUE,
 FRONTING AB 6973 LOT 040

FILE: Q-20-1214

SHEET 2 OF 2

SCALE: 1"=20'

REVISION